



## PREASSEMBLED DOOR INSTALLATION GUIDE

**NOTE:** Keys, Fasteners, anchor bolts, and component instructions for this door are located in the padded envelope which is inside the door package.

### INSTALLATION STEPS—DETAILS ON PAGE 2

1. Uncrate the door unit. Lift the door unit and position it in the desired location under the girt with the edge of the threshold flush with the edge of the concrete. The extended header should be flush or up against the outside face of the girt. See Figure 1.
2. **PLUMB AND, SQUARE & ALIGN THE DOOR UNIT.** See Figure 4 for Critical Dimensions. Check gap between the top of the door leaf and the frame header. It must be consistent. Check to make sure the concrete floor under the door, frame, and threshold is level—shim as needed. Do not separate threshold from the frame as it maintains proper spacing between frames.
3. With the door plumb and square, secure the header to the face of the girt with clamps or with self-drilling screws. These screws may be removed once the remaining installation steps are completed as they may interfere with the wall panel or drip cap installation.
4. Anchor the door unit to the floor through the base mounting clips using the (4) anchor bolts provided—(2) per side. See Figure 2.
5. Remove the screw(s) holding the top mounting clips and slide the clips up to the bottom of the wall girt. Reattach the clips to the door steel subframe (frame opening) and then secure the mounting clip up into the girt using the self-drilling screws provided. See Figure 3.
6. Anchor the threshold to the floor using the anchor bolts provided. Note: Caulking/Mastic underneath the entire threshold is recommended prior to securing the threshold to the floor to prevent future water infiltration/leaks. Caulk connection between door frame and threshold.
7. Adjust sweep if necessary to eliminate light leaks.
8. Once the Door System is completely installed, the wall panel installation may be completed.

### FINAL ADJUSTMENTS AND OPERATION OF DOOR UNIT

1. Check frame to ensure unit is PLUMB and SQUARE. Make sure the door swings properly/freely and latches appropriately. If door unit is not plumb and square it may affect the operation of the door and hardware components.
2. Check the gap between door leaf and frame. If gap is not equal, shim hinges as needed.
3. Check and adjust all hardware—if Door Closer is provided, adjust closing & latching speeds. If panic is provided, adjust strike plate on strike jamb for proper latching.



Figure 1

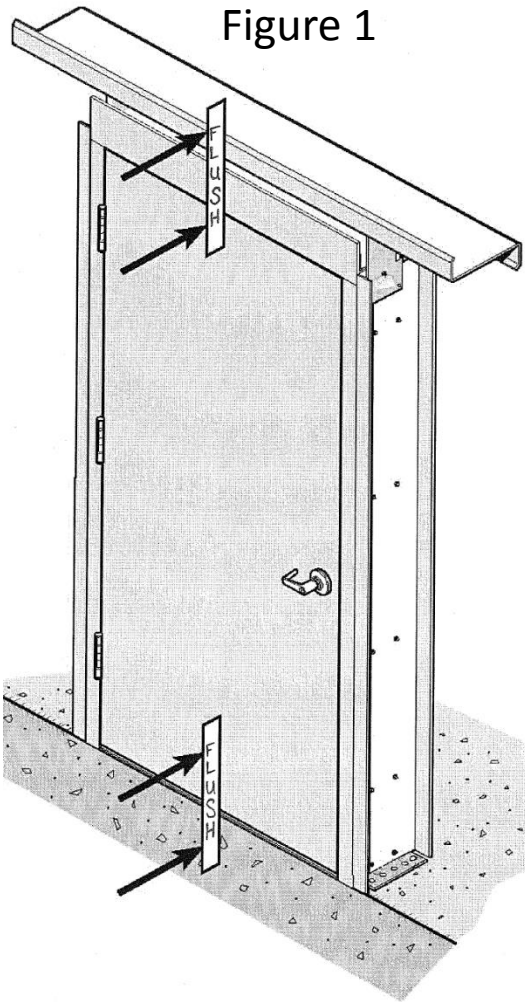


Figure 2

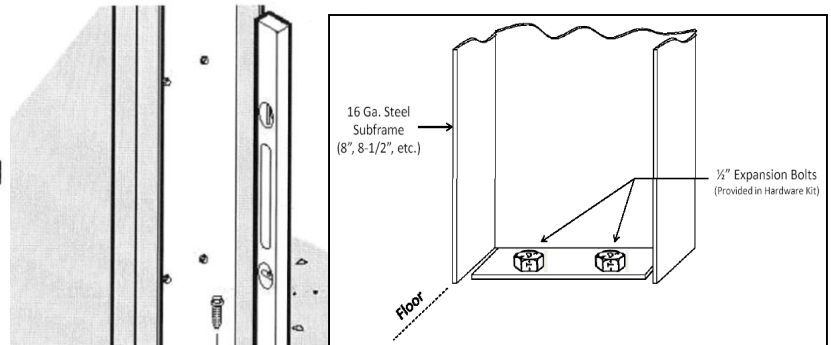


Figure 3

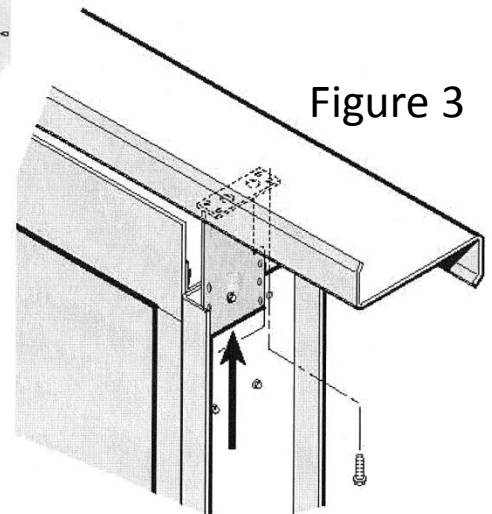
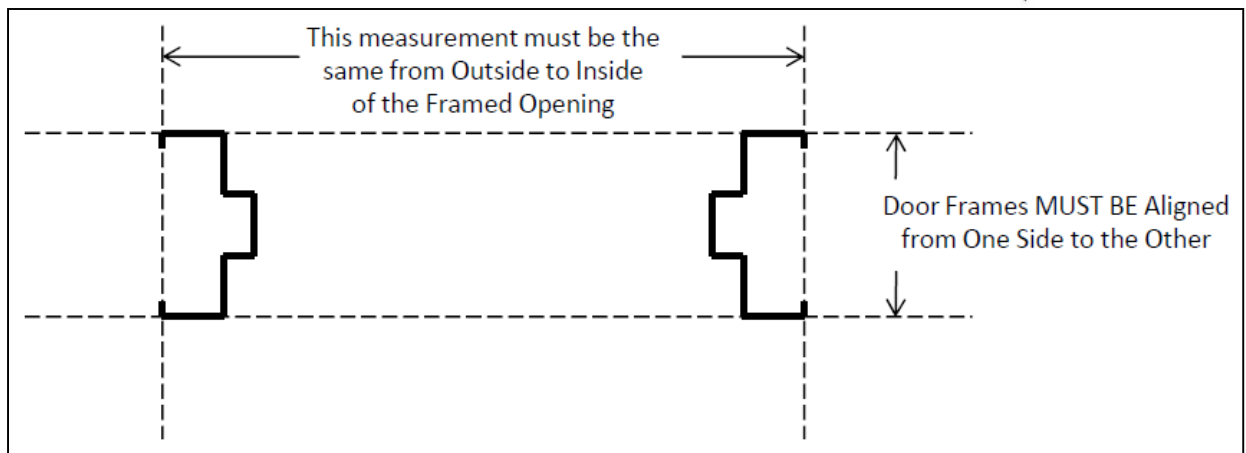


Figure 4



Critical Framed Opening Dimensions & Measurements

Have questions? Contact CDF Distributors.  
Phone: (855) 769-9895 • [cdfdistributors.com](http://cdfdistributors.com)