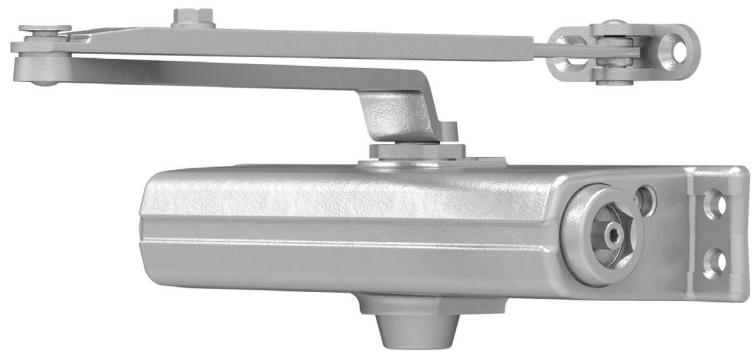


# 1260 Series



The 1260 is a light to medium duty cast iron closer designed to fit the most common commercial foot print. It's adjustable for spring sizes 1-5, features a complete line of regular and extra duty arms, and an optional Quick Fix™ bracket kit.

## Features

<b>Certifications</b>	Grade 1 - ANSI A156.4, UL 10C, ADA, 100 Hour Salt Spray, Meets BAA - Buy American Act	<b>Cover</b>	Slim line plastic cover, optional
<b>Body construction</b>	<ul style="list-style-type: none"> <li>Cast iron body</li> <li>Full complement bearing</li> <li>1 3/8" Diameter piston</li> <li>5/8" diameter single heat treated pinion journal</li> </ul>	<b>Fasteners</b>	Self reaming and tapping screws (SRT)
<b>Fluid</b>	All weather fluid	<b>Mounting</b>	Hinge (pull side), top jamb (push side), parallel arm (push side)
<b>Handing</b>	Non-handed	<b>Arms</b>	Regular arm
<b>Templating</b>	Peel-n-Stick templates - 3/4" x 9 1/16" mounting hole pattern	<b>Finishes/colors/ powder coat</b>	<ul style="list-style-type: none"> <li>689 Aluminum</li> <li>690 Statuary Bronze</li> <li>691 Light Bronze</li> <li>693 Black</li> <li>695 Dark Bronze</li> <li>696 Brass</li> <li>Custom colors optional</li> <li>Optional SRI primer - powder coat only</li> </ul>
<b>Size</b>	Adjustable spring size 1-5		
<b>Warranty</b>	20 years		

**Special templates** | Customized installation templates or products may be available to solve non-standard applications. Contact LCN Product Support for assistance.

Mounting	Finish	Cover	Cylinder	Arm function*
<ul style="list-style-type: none"> <li>Hinge (pull) side</li> <li>Top jamb (pull)</li> <li>Top jamb (push)</li> <li>Parallel arm</li> <li>Stop face</li> </ul>	<ul style="list-style-type: none"> <li>Powder coat</li> <li>Plated</li> <li>Plastic</li> <li>Metal</li> </ul>	<ul style="list-style-type: none"> <li>Designer series</li> <li>Non-handed</li> <li>Non-sized</li> <li>Accessibility</li> <li>Delay action</li> </ul>	<ul style="list-style-type: none"> <li>180°</li> <li>Regular (double)</li> <li>Standard (single)</li> <li>Heavy duty</li> <li>Hold Open</li> <li>EDA/HEDA</li> <li>CUSH/HCUSH</li> <li>SCUSH/SHCUSH</li> </ul>	

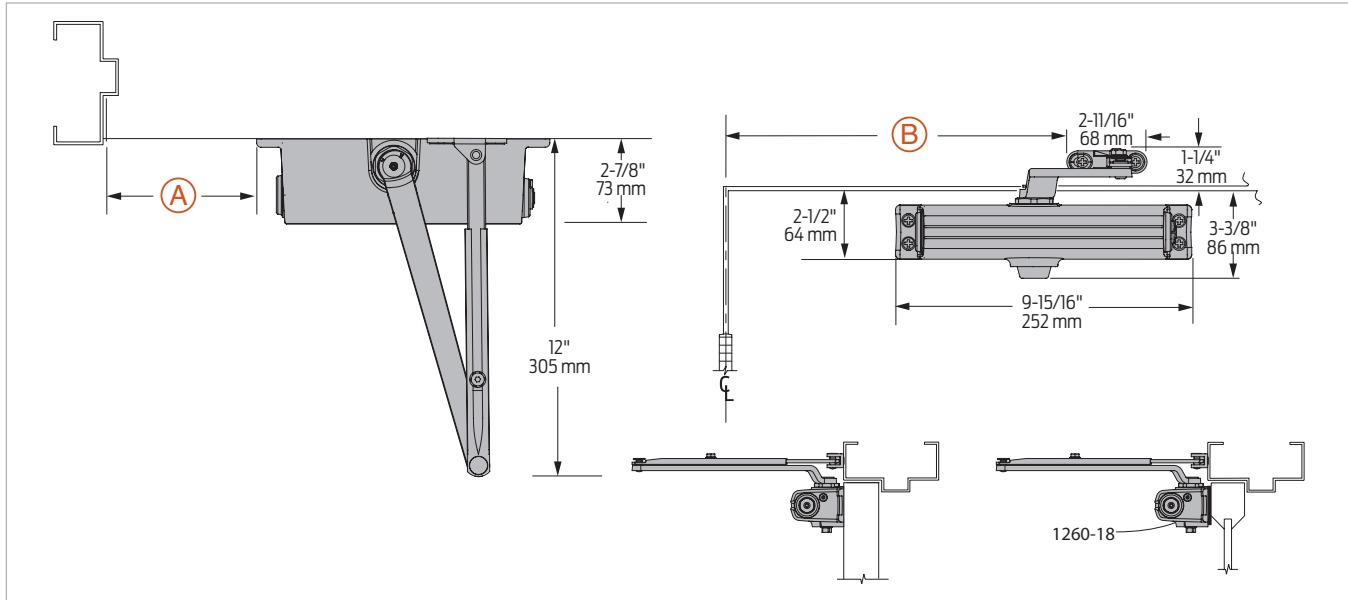
■ Available      ■ Not available

■ Closer available with less than 5.0 lbs. opening force on 36" door.

■ \* Maximum opening/hold open point with standard template.

## Mounting details

### Hinge (pull) side mounting

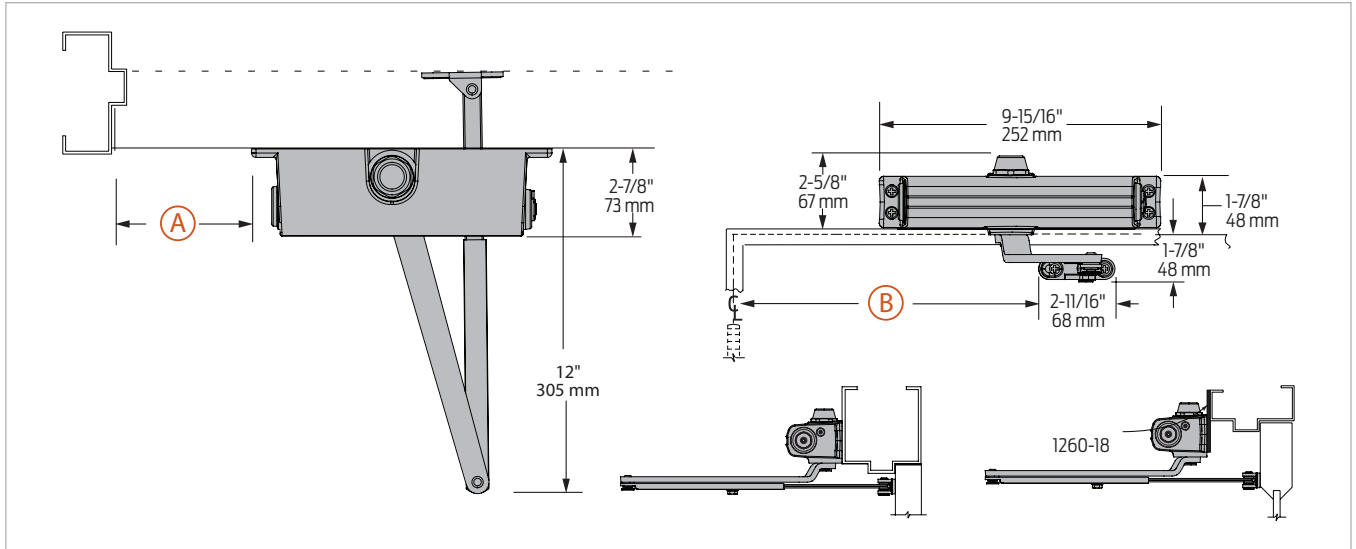


Butt hinges	Should not exceed 5" (127 mm) in width
Auxiliary stop	Recommended at hold open point or where a door cannot swing 180°
Reveal	Should not exceed 3/4" (19 mm) for regular arm or 1/2" (13 mm) for Hold Open Arm
Top rail	Less than 2 1/2" (64 mm) requires plate, 1260-18
Clearance	2 7/8" (73 mm) behind door required for installation
Maximum opening	110°: A = 6 9/16" (167 mm) B = 12 7/16" (316 mm)
	101° to 120°: A = 5 9/16" (141 mm) B = 11 7/16" (291 mm)
	or *121° to 180°: A = 3 1/16" (78 mm) B = 8 15/16" (227 mm)

Note: Hold open points up to maximum opening with Hold Open Arm.  
\* Frame and trim permitting.

# Mounting details

## Top jamb (push side) mounting

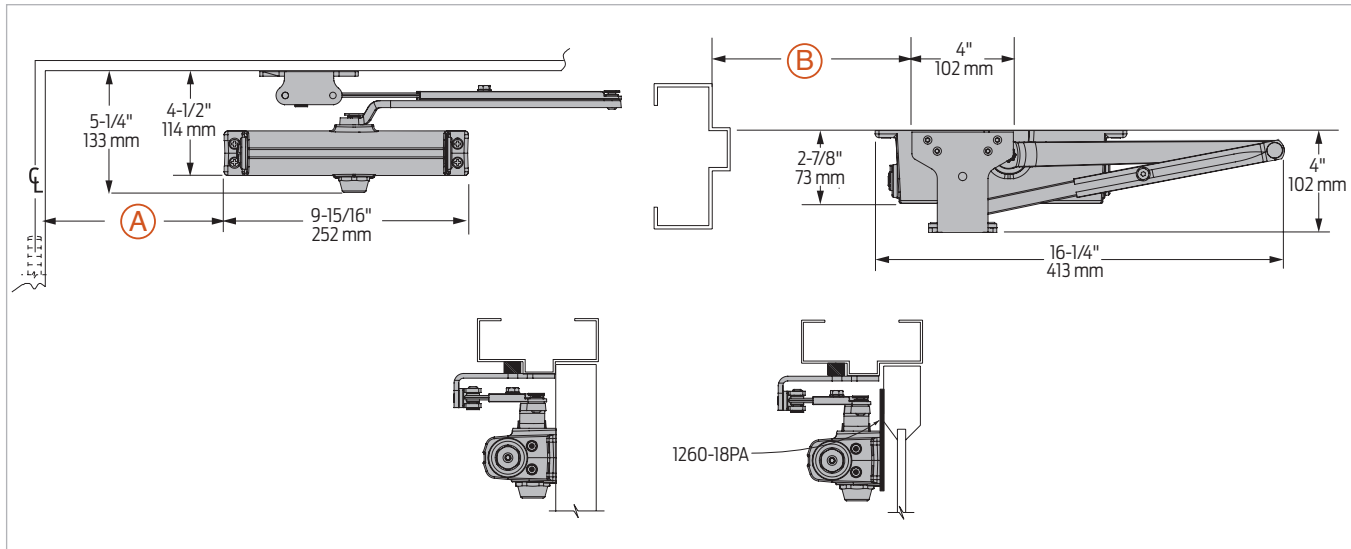


<b>Butt hinges</b>	Should not exceed 5" (127 mm) in width		
<b>Auxiliary stop</b>	Recommended at hold open point or where a door cannot swing 180°		
<b>Reveal</b>	Arm type	Maximum reveal	Opening
	Regular Arm	3 1/2"	Up to 120°
	Regular Arm	2 1/4"	121° to 180°
	Long Arm	7 1/2"	Up to 120°
	Long Arm	3 1/2"	121° to 180°
	Hold Open Arm	2"	Up to 120°
	Hold Open Arm	2 1/4"	121° to 180°
	Hold Open Long Arm	4 1/2"	Up to 120°
	Hold Open Long Arm	4 1/2"	121° to 160°
<b>Top rail</b>	1 3/4" (44 mm) minimum. 2 1/2" (64 mm) minimum with closer on plate, 1260-18		
<b>Head frame</b>	Less than 1 3/4" (44 mm) requires plate, 1260-18. For flush ceiling condition with 2" (51 mm) head frame, use plate, 1260-18. (Plate requires 1 3/8" (35 mm) minimum.)		
<b>Maximum opening</b>	110°:	A = 7 1/16" (179 mm) B = 12 15/16" (329 mm)	
	101° to 120°:	A = 5 9/16" (141 mm) B = 11 7/16" (291 mm)	
	or *121° to 180°:	A = 3 1/16" (78 mm) B = 8 15/16" (227 mm)	

Note: Hold open points up to maximum opening with Hold Open Arm.  
\* Frame and trim permitting.

## Mounting details

### Parallel arm (push side) mounting



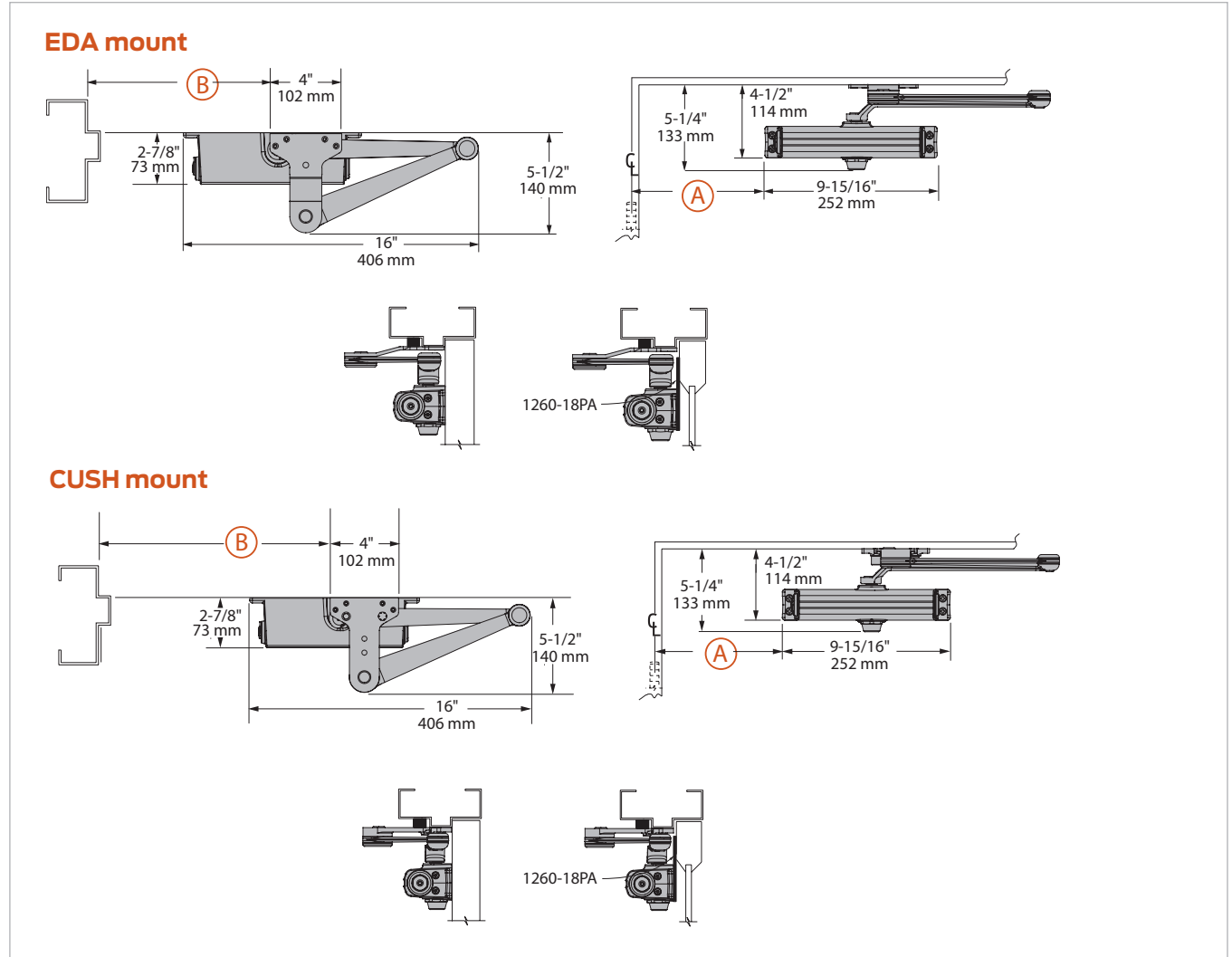
Butt hinges	Should not exceed 5" (127 mm) in width
Auxiliary stop	Recommended at hold open point, where a door cannot swing 180°, or where Cush-n-Stop Arm is not used
Top rail	Less than 4 3/8" (111 mm) measured from the stop requires plate, 1260-18PA
Clearance	1260-62PA shoe projects 4" (102 mm) from door face
Stop width	Minimum 1" (25 mm)
Blade stop	Clearance, requires 1/2" (13 mm) blade stop spacer, 1260-61
Auxiliary shoe	1260-62A allows installation of regular arm with overhead holder/stop. Special templating required
Maximum opening	Regular or Hold Open Arm can be templated to 100°: A = 7 3/16" (183 mm) B = 8 5/8" (219 mm) or 101° to 130°: A = 5 11/16" (144 mm) B = 7 1/8" (181 mm) or *131° to 180°: A = 3 11/16" (94 mm) B = 5 1/8" (130 mm)

Note: Hold open points up to maximum opening with Hold Open Arm. Optional mounting requires PA shoe, 1260-62PA for Regular and Hold Open Arms. 1260 Parallel Arm closer includes 1260-201 fifth hole spacer to support PA shoe.

\* Frame and trim permitting.

# Mounting details

## EDA and Cush-n-Stop mounting



<b>Clearance</b>	1260-62EDA or CUSH shoe projects 5 1/2" (140 mm) from door face	
<b>Head frame</b>	Flush or rabbeted requires CUSH flush panel adapter, 1260-419	
<b>EDA or CUSH ARM</b>	Requires shoe support, 1260-30 for fifth screw anchorage where reveal is less than 3 1/16" (78 mm)	
<b>Maximum opening</b>	EDA template allows 120°. Hold open point up to maximum opening	CUSH arms can be templated for maximum opening/hold open point at
	90°: A = 4 13/16" (122 mm) B = 9 1/2" (241 mm)	85°: A = 5 5/16" (135 mm) B = 10" (254 mm)
	or 120°: A = 3 5/16" (84 mm) B = 8" (203 mm)	90°: A = 4 11/16" (119 mm) B = 9 3/8" (238 mm)
	Hold open points up to maximum opening with HEDA arm	100°: A = 3 9/16" (90 mm) B = 8 1/4" (210 mm)
		110°: A = 2 13/16" (71 mm) B = 7 1/2" (191 mm)

Note: 1260 closers ordered with EDA, CUSH or SCUSH arms include 1260-201 fifth hole spacer to support the shoe.

## Accessories

### Cylinders

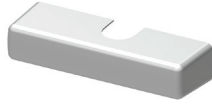


**1261(2)(3)(4)(5)-3071**

**Cast iron cylinder assembly (CYL)**

- Non-handed
- Standard

### Covers



**1260-72**

**Slim line plastic cover (SLIMPC)**

- Non-handed
- Optional

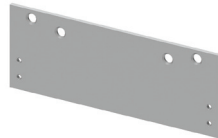
### Installation accessories



**1260-18**

**Plate**

- Required for hinge side mount where top rail is less than 2 1/2" (64 mm)
- Required for top jamb mounting where head frame is less than 1 3/4" (44 mm) or flush ceiling condition exists
- Requires minimum 1 1/2" (38 mm) minimum top rail or 1 1/4" (32 mm) head frame



**1260-18PA**

**Plate**

- Required for parallel arm mounting where top rail is less than 4 3/8" (111 mm), measured from the stop
- Requires 1 3/4" (44 mm) minimum top rail



**1260-18QF**

**Quick Fix™ bracket kit**

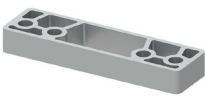
- Optional kit includes retro-fit mounting plates for 1371 closer cylinder and shoe
- Useful in applications when previously drilled holes are damaged



**1260-30**

**CUSH shoe support**

- Provide anchorage for fifth screw used with CUSH arms where reveal is less than 3 1/16" (78 mm)



**1260-61**

**Blade stop spacer**

- Lowers parallel arm shoe to clear 1/2" (13 mm) blade stop



**1260-62A**

**Auxiliary shoe**

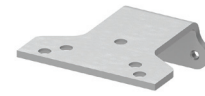
- Requires a top rail of 7" (178 mm)
- Optional shoe replaces-62PA for parallel arm mounting of regular arm with overhead holder/stop



**1260-419**

**PA flush panel adapter**

- Provides horizontal mounting surface for PA, EDA or CUSH shoe on single rabbeted or flush frame



**1260-62PA**

**PA shoe**

- Required for parallel arm mounting

## Accessories

### Arms



**1260-3077  
Regular Arm with Parallel Arm  
Bracket (RWPA)**

- Non-handed
- Mounts hinge side or top jamb
- Parallel arm includes PA shoe, 1260-62PA required for parallel arm mounting



**1260-3077L  
Long Arm (LONG)**

- Non-handed
- Includes long rod and shoe, 1260-79LR for top jamb mount with deep reveals
- Optional



**1260-3049  
Hold Open Arm (H)**

- Non-handed
- Mounts hinge side, top jamb or parallel arm (62PA required)
- Hold open adjustable at shoe
- Optional



**1260-3049L  
Hold Open Long Arm  
(HLONG)**

- Non-handed
- Includes long head and tube, 1260-3048L for top jamb mount with deep reveals
- Optional



**1260-3077EDA  
Extra Duty Arm (EDA)**

- Non-handed
- Features solid forged steel main and forearm for potentially abusive installations
- Optional 1260-3077EDA/G for blade stop clearance



**1260-3077EDA/62G  
Extra Duty Arm with 62G  
Thick Hub Shoe (EDAW62G)**

- Non-handed
- Features solid forged steel main and forearm for potentially abusive installations



**1260-3049EDA  
Hold Open Extra Duty Arm  
(HEDA)**

- Handed
- Provides hold open function adjustable at shoe
- Optional



**1260-3077CNS  
Cush-n-Stop Arm (CUSH)**

- Non-handed
- Features solid forged steel main arm and forearm with stop in soffit shoe
- Optional



**1260-3049CNS  
Hold Open Cush-n-Stop  
Arm (HCUSH)**

- Non-handed
- Provides hold open function with templated stop/hold open points
- Handle controls hold open function
- Optional



**1260-3077SCNS  
Spring Cush-n-Stop Arm  
(SCUSH)**

- Non-handed
- For abusive applications features solid forged steel main arm and forearm with spring loaded stop in the soffit shoe
- Optional



**1260-3049SCNS  
Spring Hold Open Cush-n-Stop  
Arm (SHCUSH)**

- Non-handed
- For abusive applications features solid forged steel main arm and forearm with spring loaded stop in the soffit shoe
- Handle controls hold open function
- Optional

## Ordering information

### How-to-order 1260 Series closers

#### 1. Select finish

- Standard powder coat \_\_\_\_\_  
Aluminum (689), Dark Bronze (695),  
Statuary Bronze (690), Light Bronze (691),  
Black (693), Brass (696).

#### Closer options

##### Cover

- Slim line plastic cover (SLIMPC)

##### Finish

- Custom Powder Coat (RAL) \_\_\_\_\_
- SRI primer (for use with powder coat finishes only)

##### Arm

- Regular Arm with Parallel Arm Bracket (RWPA)
- Long Arm (LONG)
- Regular Arm with 62A Auxiliary Shoe (RW62A)
- Hold Open Arm (H)
- Hold Open with Parallel Arm Bracket (HWPB)
- Hold Open Long Arm (HLONG)
- Extra Duty Arm (EDA) (optional -62G)
- Hold Open Extra Duty Arm (HEDA) -  
specify handing (optional -62G)
- Cush-n-Stop Arm (CUSH)
- Hold Open Cush-n-Stop Arm (HCUSH)

#### Closer will be shipped with:

- Standard cylinder
- Regular arm
- Self reaming and tapping screws  
(unless options listed below are selected)

#### Optional screw packs

- Through Bolt<sup>1</sup> Self Reaming and Tapping Screws (TBSRT)
- Wood and Machine Screws (WMS)
- Through Bolt<sup>1</sup> Wood and Machine Screws (TBWMS)
- Torx Machine Screws (TORX)
- Through Bolt<sup>1</sup> and Torx Machine Screw (TBTRX)

#### Installation accessories

- Plate, 1260-18
- Plate, 1260-18PA
- CUSH shoe support, 1260-30
- Blade stop spacer, 1260-61
- Auxiliary shoe, 1260-62A
- PA flush panel adapter, 1260-419
- Quick Fix™ bracket kit, 1260-18QF

#### Special template

- ST- \_\_\_\_\_

1. Specify door thickness if other than 1 3/4".

### Table of sizes

- Select closer based on width of door.
- The spring power of a 1261 cylinder is field adjustable from size 1 through size 5 and is shipped adjusted to size 3.

#### Exterior (and vestibule) door width



#### Interior door width




→ Indicates recommended range of door width for closer size.  
\* Adjustable Size 1 thru 5.

#### Reduced opening force 1260 Series closers

**CAUTION!** Any manual door closer, including those certified by BHMA to conform to ANSI Standard A156.4, that is selected, installed and adjusted based on ADA or other reduced opening force requirements may not provide sufficient power to reliably close and latch a door.

Refer to Automatic Operators catalog for information on systems that meet reduced opening force requirements without effecting closing power.

	Door width 36"	42"	48"
	8.5* lbs.	1261	1261
	5.0* lbs.	1261	1261

\* Maximum opening force.