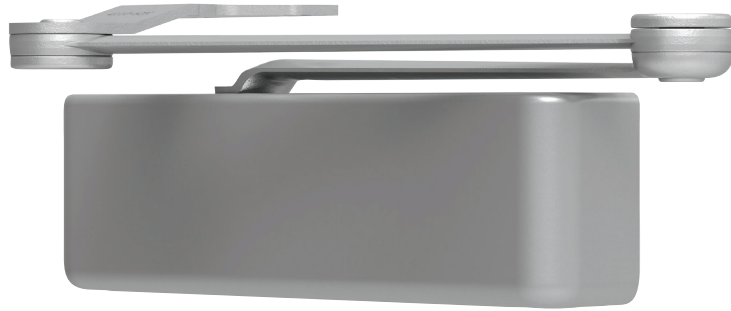


# 4210 Series



The 4210 Smoothee® Series is a heavy duty, high security closer with special components to minimize tampering and vandalism. Forged steel parallel arms and heavy gauge metal security covers are designed for correctional, vandal prone, institutional and other high traffic applications. A choice of finishes and cylinder functions meet correctional and vandal resistant requirements.

## Features

<b>Certifications</b>	Grade 1 - ANSI A156.4, UL 10C, ADA, 100 Hour Salt Spray, Meets BAA - Buy American Act <small>Note: 4211 cylinder meets ADA.</small>	<b>Cover</b>	Metal Cover (MC)
<b>Body construction</b>	<ul style="list-style-type: none"> <li>Cast iron body</li> <li>Full complement bearing</li> <li>1 1/2" Diameter piston</li> <li>1/16" diameter double heat treated pinion journal</li> </ul>	<b>Fasteners</b>	Torx Machine Screws (TORX)
<b>Fluid</b>	All weather fluid	<b>Mounting</b>	Parallel (push side)
<b>Handing</b>	Handed	<b>Arms</b>	Extra duty, non hold open
<b>Size</b>	Sized 1-5 or size 6; adjustable exterior, interior and vestibule	<b>Finishes/colors/ powder coat</b>	<ul style="list-style-type: none"> <li>689 Aluminum</li> <li>690 Statuary Bronze</li> <li>691 Light Bronze</li> <li>693 Black</li> <li>695 Dark Bronze</li> <li>696 Brass</li> <li>Custom colors optional</li> </ul>
<b>Warranty</b>	15 years		<ul style="list-style-type: none"> <li>Optional SRI primer - powder coat only</li> <li>Optional plated finishes (cover only)</li> </ul>

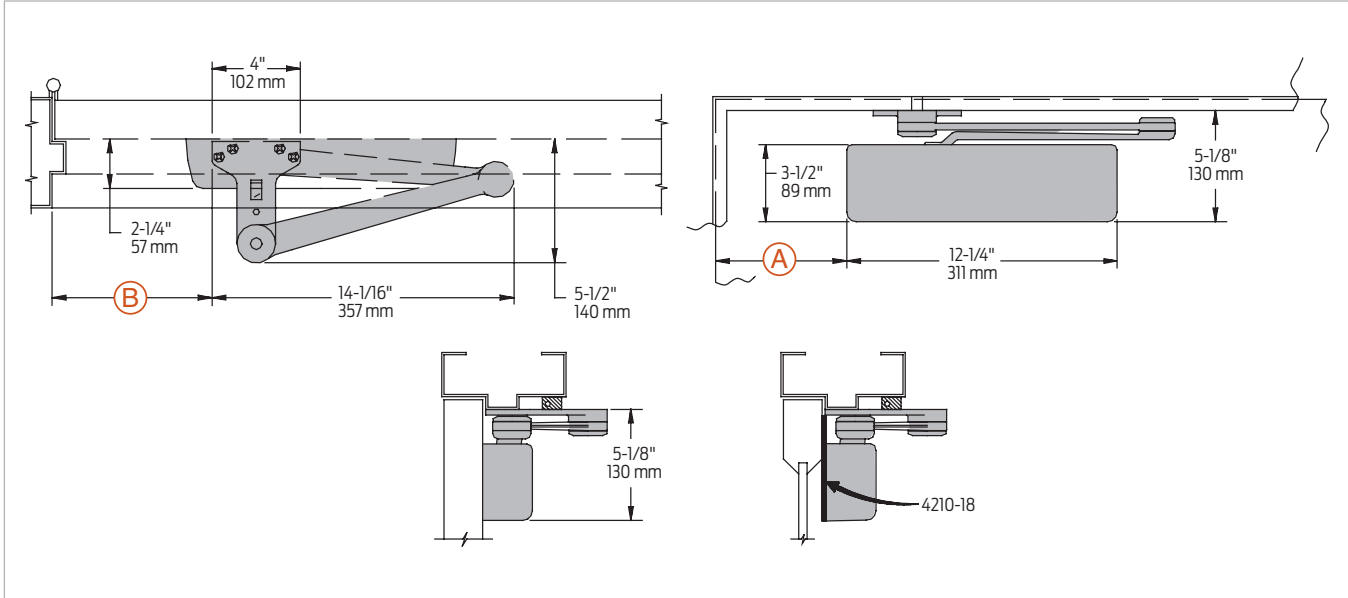
**Special templates** | Customized installation templates or products may be available to solve non-standard applications. Contact LCN Product Support for assistance.

Mounting		Finish		Cover		Cylinder		Arm function*								
Hinge (pull) side	Parallel arm (push)	Concealed (frame)	Powder coat	Plated	Plastic	Metal	Handed	Non-sized	Sized	Accessibility	Delay action	CYLAVB**	DPS	Standard (single)	EDA	CUSH/HCUSH
■	■	■	■	■	■	■	■	■	■	■	■	■	■	■	■	■
■	■	■	■	■	■	■	■	■	■	■	■	■	■	■	■	■

■ Available      ■ Not available  
 ♿ Closer available with less than 5.0 lbs. opening force on 36" door.  
 \* Maximum opening with standard template.  
 \*\* Advanced Variable Backcheck.

## Mounting details

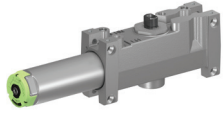
### Parallel arm (push side) mounting



Butt hinges	Should not exceed 5" (127 mm) in width	
Auxiliary stop	Recommended where a door cannot swing 180° or where CUSH arms not used	
Clearance	For EDA or CUSH is 5 1/2" (140 mm) from push side of door	
Top rail	Less than 5 1/8" (130 mm) measured from stop, requires plate 4210-18. Plate requires 2" (51 mm) minimum top rail	
Stop width	2 3/4" (70 mm) recommended. Less than 1" (25mm), consult factory	
Delay action	<ul style="list-style-type: none"> <li>▪ Add suffix "CYLDEL" to selected cylinder</li> <li>▪ Not available with 4215 or 4216 cylinder</li> <li>▪ Delays closing from maximum opening to approximately 70°</li> <li>▪ Delays time adjustable up to approximately 1 minute</li> </ul>	
Advanced Variable Back Check	<ul style="list-style-type: none"> <li>▪ Cylinder starts back check at approximately 45° instead of the normal 75°</li> <li>▪ Add suffix "CYLAVB" to selected cylinder</li> </ul>	
Maximum opening	EDA arm can be templated for	CUSH arm can be templated for maximum opening at
	100°: A = 5 15/16" (151 mm) B = 7 1/4" (184 mm)	85°: A = 8 5/16" (211 mm) B = 9 5/8" (244 mm)
	140°: A = 4 7/16" (113 mm) B = 5 3/4" (146 mm)	90°: A = 7 11/16" (195 mm) B = 9" (229 mm)
	180°: A = 2 15/16" (75 mm) B = 4 1/4" (108 mm)	100°: A = 6 7/16" (164 mm) B = 7 3/4" (197 mm)
		110°: A = 5 9/16" (141 mm) B = 6 7/8" (175 mm)
	Hold open point at maximum opening with HCUSH arm	
Options	Delay Action cylinder (CYDEL) or Advanced Variable Back Check cylinder (CYLAVB)	

## Accessories

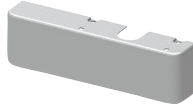
### Cylinders



**4211(6)-3071  
Cast iron cylinder  
assembly (CYL)**

- Handed
- Cast iron
- Standard

### Covers



**4210-72MC  
Metal Cover (MC)**

- Handed
- Four point mounting for extra security
- Closer adjustments not accessible with cover installed
- Standard

### Arms



**4210-3077EDA  
Extra Duty Arm (EDA)**

- Non-handed
- Parallel arm features solid forged steel main arm and forearm for potentially abusive installations
- Double slab arm/pinion attachment for maximum strength



**4210-3077CNS  
Cush-n-Stop Arm (CUSH)**

- Non-handed
- Parallel arm features solid forged steel main arm and forearm with built-in stop in soffit shoe
- Double slab arm/pinion attachment for maximum strength



**4210-3049CNS  
Hold Open Cush-n-Stop Arm  
(HCUSH)**

- Non-handed
- Parallel arm provides hold open function with templated stop/hold open points
- Handle controls hold open function with thumb turn
- HCUSH arm not available with 4216 cylinder
- Double slab arm/pinion attachment for maximum strength

### Installation accessories



**4210-18, 4210-18CUSH  
Plate**

- Required for push side mount where top rail is less than 5 1/8" (130 mm), measured from the stop
- Requires 2" (51 mm) minimum top rail measured from the stop
- Also used with CUSH arm installations



**4210-30  
CUSH Shoe Support**

- Provides anchorage for fifth screw used with CUSH arms where reveal is less than 3 1/16" (78mm)



**4210-61  
Blade Stop Spacer**

- Lowers parallel arm shoe to clear 1/2" (13 mm) blade stop



**4210-419  
PA Flush Panel Adapter**

- Provides horizontal mounting surface for EDA or CUSH shoe on single rabbeted or flush frame

## Ordering information

### How-to-order 4210 Series closers

#### 1. Select cylinder size

- 4211 (adjustable from size 1 to 5)
- 4216 (CYLDEL or HCUSH arm not available)

#### 2. Specify hand

- Right Hand (RH)
- Left Hand (LH)

#### 3. Select finish

- Standard powder coat \_\_\_\_\_
- Aluminum (689), Dark Bronze (695), Statuary Bronze (690), Light Bronze (691), Black (693), Brass (696).

### Closer will be shipped with:

- Standard cylinder
- Metal cover
- Standard security arm
- Torx machine screws  
(unless options listed below are selected)

### Closer options

#### Cylinder

- Delay Action Cylinder (CYLDEL)
- Advanced Variable Back Check Cylinder (CYLAVB)

#### Finish

- Custom Powder Coat (RAL) \_\_\_\_\_
- Plated finish \_\_\_\_\_ (cover only)
- SRI primer (excludes DPS)  
(for use with powder coat finishes only)

#### Arm

- Cush-n-Stop Arm (CUSH)
- Hold Open Cush-n-Stop Arm (HCUSH)

#### Screw packs

- Through Bolt<sup>1</sup> and Torx Machine Screw (TBTRX)

#### Installation accessories

- Plate, 4210-18
- Plate, 4210-18CUSH

#### Special template

- ST- \_\_\_\_\_

1. Specify door thickness if other than 1 3/4".

### Table of sizes

- Select closer based on width of door
- The spring power of non-sized 4211 cylinder is adjustable from size 1 through size 5 and is shipped set to size 3
- Sized 4210 Series cylinder available in size 6
- Delay action not available with 4216 cylinder

#### Exterior (and vestibule) door width



#### Interior door width




→ Indicates recommended range of door width for closer size.  
\* Adjustable Size 1 thru 5.

### Reduced opening force 4210 Series closers

**CAUTION!** Any manual door closer, including those certified by BHMA to conform to ANSI Standard A156.4, that is selected, installed and adjusted based on ADA or other reduced opening force requirements may not provide sufficient power to reliably close and latch a door.

Refer to Automatic Operators catalog for information on systems that meet reduced opening force requirements without effecting closing power.

	Door width		
	36"	42"	48"
8.5* lbs.	4211	4211	4211
5.0* lbs.	4211	4211	4211

\* Maximum opening force.