

# 4040SE Series

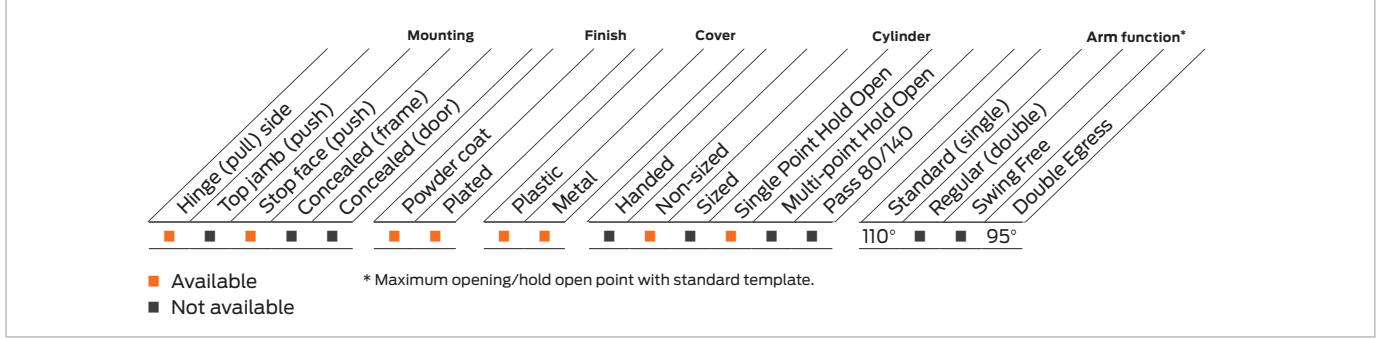


The 4040SE SENTRONIC® is a heavy duty, non-handed, nonsized closer/holder designed to provide single point hold open for fire and smoke barrier doors. Single lever (track) arm closer is specifically designed for interior doors.

## Features

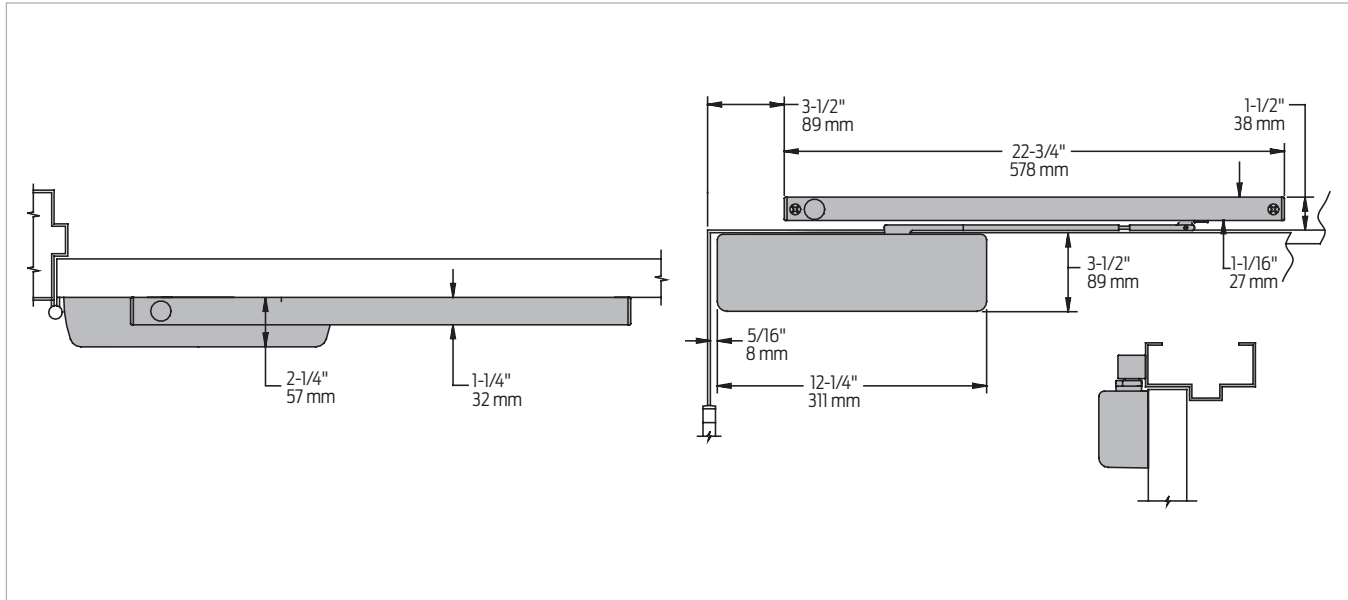
<b>Certifications</b>	Grade 1 - ANSI A156.15, UL 10C, 100 hour salt spray, meets BAA - Buy American Act, NFPA 101	<b>Fasteners</b>	Wood and Machine Screws (WMS)
<b>Body construction</b>	<ul style="list-style-type: none"> <li>Cast iron body</li> <li>Full complement bearing</li> <li>1 1/2" diameter piston</li> <li>3/4" diameter double heat treated pinion journal</li> </ul>	<b>Mounting</b>	Hinge (pull side), stop face (push side)
<b>Fluid</b>	All weather fluid	<b>Arms</b>	Standard Arm and SE track, standard Double Egress Arm and SEL track, optional
<b>Handing</b>	Non-handed	<b>Finishes/colors/ powder coat</b>	<ul style="list-style-type: none"> <li>689 Aluminum paint</li> <li>690 Statuary Bronze paint</li> <li>691 Light Bronze paint</li> <li>693 Black paint</li> <li>695 Dark Bronze paint</li> <li>696 Brass paint</li> <li>Custom colors optional</li> <li>Optional SRI primer - powder coat only</li> </ul>
<b>Size</b>	Adjustable spring size, up to 4	<b>Wiring</b>	Concealed or surface, interfaces with fire alarm systems
<b>Warranty</b>	2 years		
<b>Cover</b>	<ul style="list-style-type: none"> <li>Plastic, standard</li> <li>Metal, optional</li> </ul>		

**Special templates** | Customized installation templates or products may be available to solve non-standard applications. Contact LCN Product Support for assistance.



## Mounting details

### Hinge (pull side) mounting



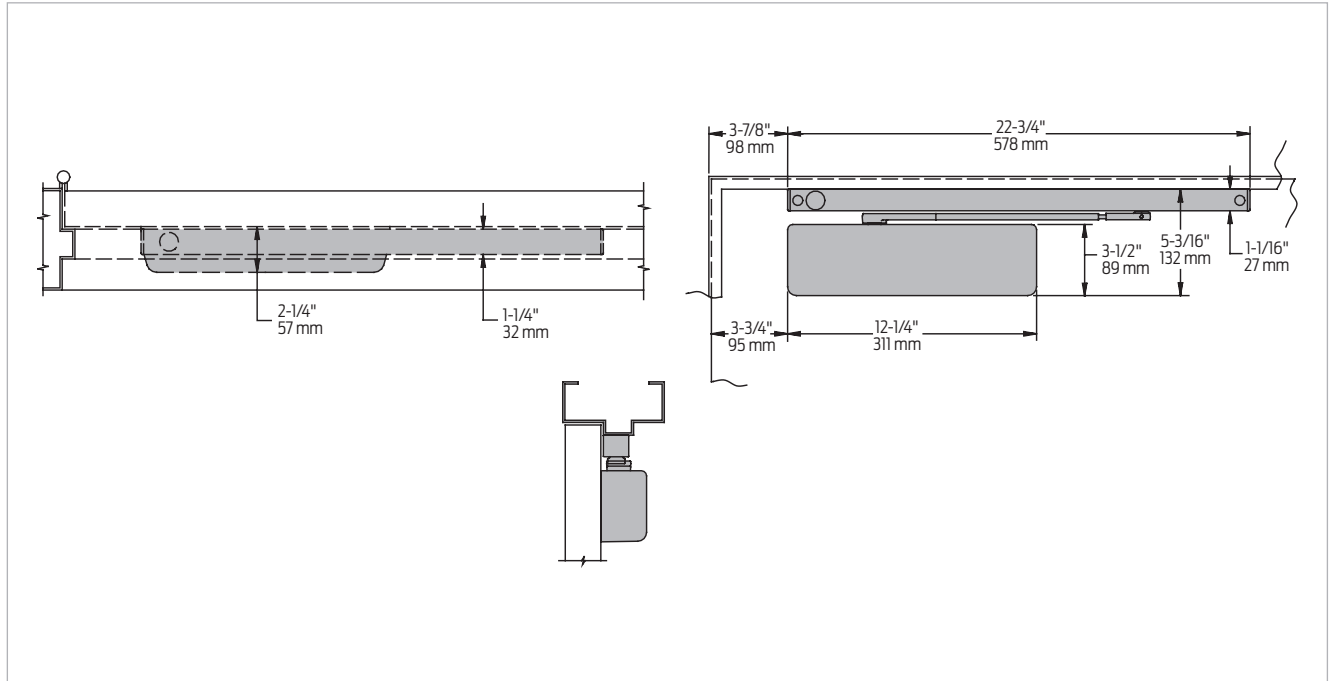
Butt hinges	Should not exceed 5" (127 mm) in width
Swing clear hinges	Consult factory
Auxiliary stop	Recommended at hold open point
Reveal	<ul style="list-style-type: none"> <li>Should not exceed 1/8" (3 mm) for Standard Arm</li> <li>Should not exceed 2 11/16" (68 mm) for Double Egress Arm</li> </ul>
Top rail	<ul style="list-style-type: none"> <li>Minimum 3 1/2" (89 mm)</li> <li>Installation with plate, 4040SE-18 requires special template and 1 3/4" (44 mm) minimum top rail</li> </ul>
Head frame	Requires 2" (51 mm) minimum
Flush ceiling	2" (51 mm) head frame does not require special templating
Door width	<ul style="list-style-type: none"> <li>2' 4" (711 mm) minimum for single door with SE</li> <li>4' 8" (1422 mm) minimum for paired doors with SE</li> </ul>
Clearance	2 3/8" (60 mm) behind door required for 90° installation
Maximum opening	<ul style="list-style-type: none"> <li>Templating allows 110°</li> <li>Hold open points between 85° and 110° in approximately 3° increments</li> <li>Pull side mounting on a Double Egress frame requires a handed Double Egress Arm</li> <li>Maximum Hold Open to 95°</li> <li>2 11/16" (67 mm) maximum reveal on pull side</li> <li>SEL track provides hold open points between 90° and 120°, in approximately 3° increments</li> </ul>
SE, SEL electrical options	<ul style="list-style-type: none"> <li>These track assemblies require a single power circuit for the holding solenoid</li> <li>SE or SEL holding solenoid is either 24V or 120V input, please specify</li> <li>An optional 4040SE-3210 or 8310-824 transformer reduces 120V AC line voltage to 24V AC</li> <li>Circuitry accepts either AC or DC input</li> </ul>
Options	<ul style="list-style-type: none"> <li>Long Track (SEL)</li> <li>Handed Double Egress Arm for reveal under 2 11/16" (67 mm)</li> </ul>
SE wiring diagram	See <a href="#">page 13</a> for typical wiring and electrical diagram

Notes:

- Information applies to 4040 SE unless otherwise specified
- Hold open force is adjustable
- Momentary on/off switch board assembly for testing door release also provides over-voltage protection (field replaceable)
- Functions as a full rack and pinion closer when hold open is not engaged or current is interrupted

# Mounting details

## Stop face (push side) mounting



<b>Butt hinges</b>	Should not exceed 5" (127 mm) in width
<b>Auxiliary stop</b>	Recommended at hold open point
<b>Top rail</b>	<ul style="list-style-type: none"> <li>Minimum 5 3/4" (146 mm)</li> <li>Installation with plate, 4040SE-18PA requires special template and 2" (51 mm) minimum top rail</li> </ul>
<b>Stop width</b>	1 1/4" (32 mm) minimum
<b>Door width</b>	<ul style="list-style-type: none"> <li>2'4" (711 mm) minimum for single door with SE</li> <li>4'8" (1422 mm) minimum for paired doors with SE</li> </ul>
<b>Maximum opening</b>	<ul style="list-style-type: none"> <li>Templating allows 110°</li> <li>Hold open points between 85° and 110° in approximately 3° increments</li> <li>SEL track provides hold open points between 90° and 120°, in approximately 3° increments</li> </ul>
<b>SE, SEL electrical options</b>	<ul style="list-style-type: none"> <li>These track assemblies require a single power circuit for the holding solenoid</li> <li>SE or SEL holding solenoid is either 24V or 120V input, please specify</li> <li>An optional 4040SE-3210 or 8310-824 transformer reduces 120V AC line voltage to 24V AC</li> <li>Circuitry accepts either AC or DC input</li> </ul>
<b>Options</b>	<ul style="list-style-type: none"> <li>Long Track (SEL)</li> </ul>
<b>SE wiring diagram</b>	See <a href="#">page 13</a> for typical wiring and electrical diagram

**Notes:**

- Information applies to 4040 SE closers unless otherwise specified
- Momentary on/off switch board assembly for testing door release also provides over-voltage protection (field replaceable)
- Functions as a full rack and pinion closer when hold open is not engaged or current is interrupted

## Accessories

### Cylinders



**4040SE-3071  
Cast iron cylinder  
assembly (CYL)**

- Non-handed
- Cast iron
- Standard

### Covers



**4040SE-72  
Plastic Cover (PC)**

- Non-handed
- Clip-on
- Standard



**4040SE-72MC  
Metal Cover (MC)**

- Handed
- Required for plated finishes and custom powder coat finishes
- Optional

### Arms



**4040SE-3077T  
Standard Arm (STDTRKARM)**

- Non-handed
- Adjustable to select hold open point



**4040SE-3077DE  
Double Egress Arm (DE)**

- Handed
- For pull side installations on double egress doors and frames
- Not required for push side mounting on double egress frames
- Optional

### Tracks



**4040SE-3038  
Standard Track (STDTRK)**

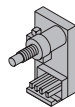
- Non-handed
- For SE closers. Mounts on either head frame or stop
- 24V or 120V AC/DC input for holding solenoid, please specify
- Includes test switch assembly with fuse
- Standard



**4040SEL-3038  
Long Track (LONG)**

- Non-handed
- Mounts on either head frame or stop
- 24V or 120V AC/DC input standard for holding solenoid, please specify
- Includes test switch assembly with fuse
- Optional

### Switch

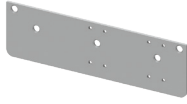


**4040SE-3436  
Test Switch**

- Non-handed
- Standard

## Accessories

### Installation accessories



**4040SE-18  
Plate**

- Required where top rail is less than 3 1/2" (89 mm)
- Requires minimum 2" (51 mm) top rail
- Installations require a special template



**4040SE-18PA  
Plate**

- Required where top rail is less than 5 3/4" (146 mm)
- Requires minimum 2" (51 mm) top rail
- Installations require a special template



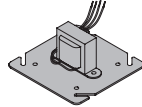
**4040SE-81  
Conduit Quick-Connector**

- Two piece connector for use with 1/2" conduit



**4040SE-3034SE  
Track Roller and Track Slider**

- Quiet, low friction roller assembly
- Shoulder dimension "X" = 1/8" (3 mm)
- Alloy metal slider for use in SE series tracks only



**4040SE-3210  
Transformer**

- Reduces line voltage from 120V to 24V AC
- Mounted on cover for 4" (102 mm) x 4" x 2 1/8" (54 mm) junction box (by others)

## Ordering information

### How-to-order 4040SE Series closers

#### 1. Select cylinder size

- SE
- SEL

#### 2. Select voltage

- 24V AC/DC
- 120V AC/DC

#### 3. Select finish

- Standard powder coat \_\_\_\_\_  
Aluminum (689), Dark Bronze (695),  
Statuary Bronze (690), Light Bronze  
(691), Black (693), Brass (696) paint

### Closer will be shipped with:

- Standard cylinder
- Standard clip-on cover
- Standard arm
- Standard track
- Wood and machine screws  
(unless options listed below are selected)

### Closer options

#### Cover

- Metal Cover (MC) (please specify right or left hand)

#### Finish

- Custom Powder Coat (RAL) (handed metal cover required)
- Plated Finish, US \_\_\_\_\_ (handed metal cover required)

#### Arm

- Double Egress Arm (DE) (please specify right or left hand)

#### Screw pack

- Through Bolt\*, Wood and Machine Screws (TBWMS)
- Torx Machine Screws (TORX)
- Through Bolt\* and Torx Machine Screws (TBTRX)

\*Specify door thickness if other than 1 3/4".

#### Installation accessories

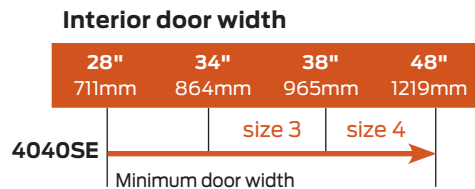
- Plate, 4040SE-18
- Plate, 4040SE-18PA
- Transformer, 4040SE-3210

#### Special template

- ST- \_\_\_\_\_

### Table of sizes

- 4040SE series cylinders accommodate interior doors up to 48" (1219 mm) wide
- Closing power of 4040SE Series closers is adjustable through a range of sizes up to size 4



Indicates recommended range of door width for closer size.

Notes: For SE on paired door, minimum width 60" (1524 mm)  
For SE, minimum door width 28" (711 mm)  
For SEL, minimum door width 30" (762 mm)  
Details are listed on the MOUNTING DETAILS pages.