

SERIES DQ, DU AND DR SLIP-ON DRYWALL FRAMES INSTALLATION INSTRUCTIONS

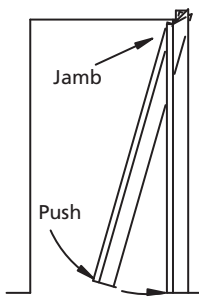
(DOES NOT APPLY TO LABELED OR CASED OPENING FRAMES)

TO DETERMINE ROUGH OPENING:

ADD 2" TO DOOR OPENING WIDTH
ADD 1" TO DOOR OPENING HEIGHT

e.g., For a 3068 door opening, the rough opening is: 38" x 81"

STEP 1



PROCEDURE:

STEP 1

- A. Begin installation by pushing the top of one jamb over the wall.
- B. Hold the top in place then push the bottom in towards and over the wall.

STEP 2

- A. Position frame head over the wall.
- B. Align head tabs with jamb slots then slide head towards jamb and engage tabs in slots.

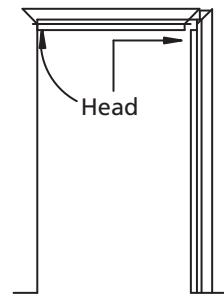
STEP 3

- A. Push the top of the remaining jamb over wall and mate jamb slots and head tabs.
- B. Push the bottom of this jamb in towards and over the wall.
- C. Level the head.

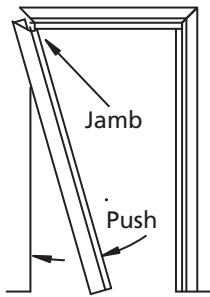
STEP 4

- A. Insert screw driver into top plumb anchor screws. Alternately adjust top plumb anchors until they bear firmly against studs.
- B. Plumb hinge jamb and fasten at sill. *
- C. Place a temporary wood spreader between jambs at sill. Adjust strike jamb to fit firmly against spreader and fasten at bottom of this jamb. *
- D. Adjust intermediate plumb anchors (if present) until they too bear firmly against studs
- E. Install mutes in holes provided in door stops.

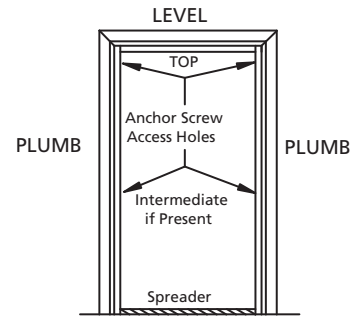
STEP 2



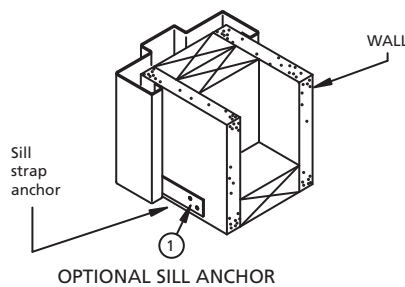
STEP 3



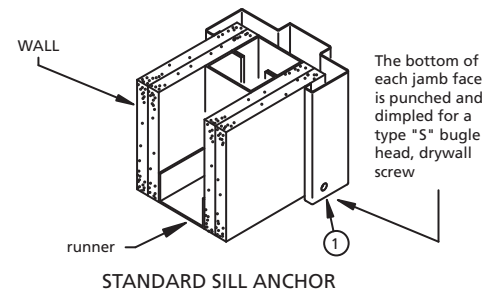
STEP 4



* Some installers prefer to hang door and fit frame to door prior to anchoring at sill.



① Insert fasteners (not included) and fix jamb to wall framing



Distributor Tech Data

SERIES DC, CASED OPENING, SLIP-ON DRYWALL FRAME INSTALLATION INSTRUCTIONS

(DOES NOT APPLY TO DRYWALL FRAMES WITH INTEGRAL DOOR STOPS)

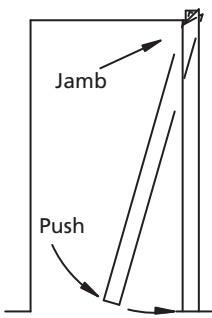
TO DETERMINE ROUGH OPENING:

ADD 2-3/4" TO DOOR OPENING WIDTH

ADD 3/4" TO DOOR OPENING HEIGHT

e.g., For a 3068 door opening, the rough opening is 38-3/4" x 80-3/4"

STEP 1



PROCEDURE:

STEP 1

- A. Begin installation by pushing the top of one jamb over the wall.
- B. Hold the top in place then push the bottom in towards and over the wall.

STEP 2

- A. Position frame head over the wall.
- B. Align head tabs with jamb slots then slide head towards jamb and engage tabs in slots.

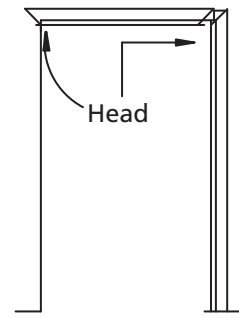
STEP 3

- A. Push the top of the remaining jamb over wall and mate jamb slots and head tabs.
- B. Push the bottom of this jamb in towards and over the wall.
- C. Level the head.

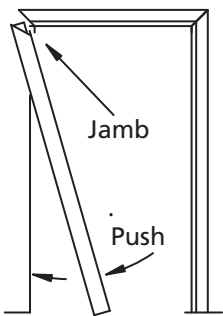
STEP 4

- A. Insert screw driver into top plumb anchor screws. Alternately adjust top plumb anchors until they bear firmly against studs.
- B. Plumb hinge jamb and fasten at sill.*
- C. Place a temporary wood spreader between jambs at sill. Adjust strike jamb to fit firmly against spreader and fasten at bottom of this jamb.*
- D. Adjust intermediate plumb anchors (if present) until they too bear firmly against studs

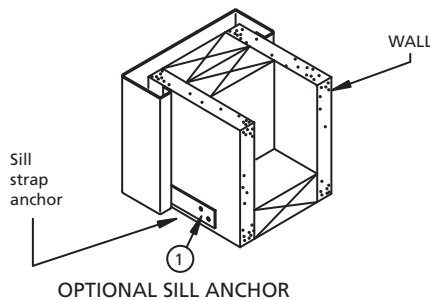
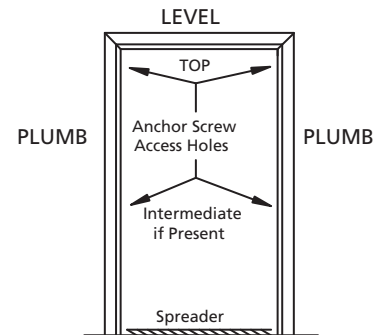
STEP 2



STEP 3

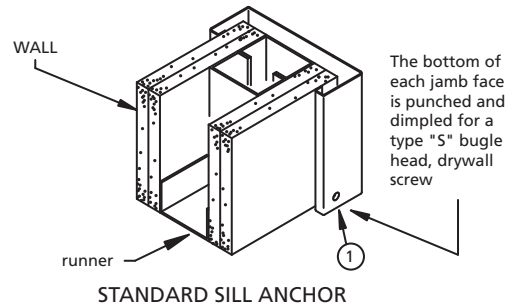


STEP 4

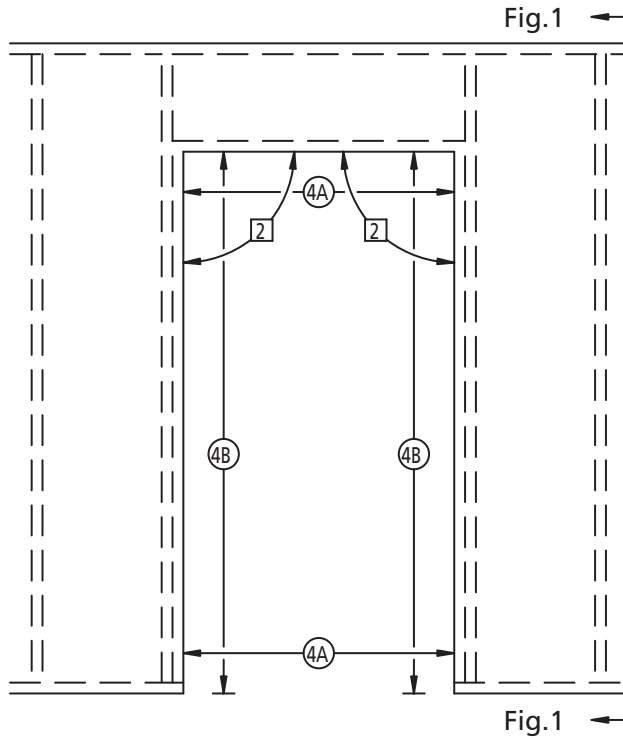


* Some installers prefer to hang door and fit frame to door prior to anchoring at sill.

- ① Insert fasteners (not included) and fix jamb to wall framing

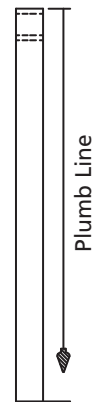


DRYWALL CONSTRUCTION ROUGH OPENING RECOMMENDATIONS



PARTITION ELEVATION

1. Jambes of rough framing should be plumb and in the same plane. See Fig. 1.
2. Rough header should be level and form a right angle (90°) with jambs.
3. To determine rough opening dimension, refer to installation instructions.
4. Measurement for rough opening should be taken:
A. WIDTH at head and sill
B. HEIGHT at both jambs
5. Tolerances for rough opening dimensions: minus = 0, plus = 1/2" (total).



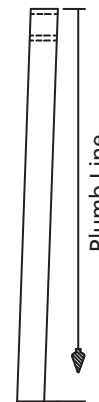
RIGHT

Walls adjacent to door opening are plumb and in the same plane.



WRONG

Walls are not in the same plane.



WRONG

Walls are in the same plane but are not plumb.

Fig.1

DRYWALL CONSTRUCTION LIGHT GAGE METAL STUDS

- Distortion Of Light Gage Metal Studs Or Floor Runners (Thinner Than 20 Gage) May Occur When The Plumb Anchor Is Compressed Or When Point Of Sill Anchor Fastener Does Not Penetrate Floor Runner.

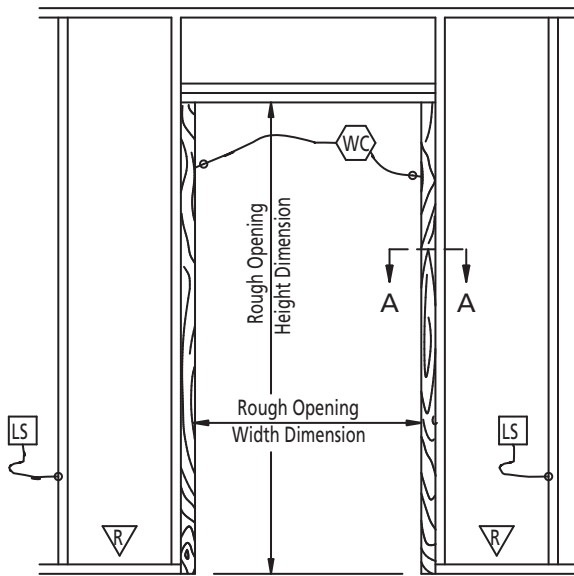


Fig. 1

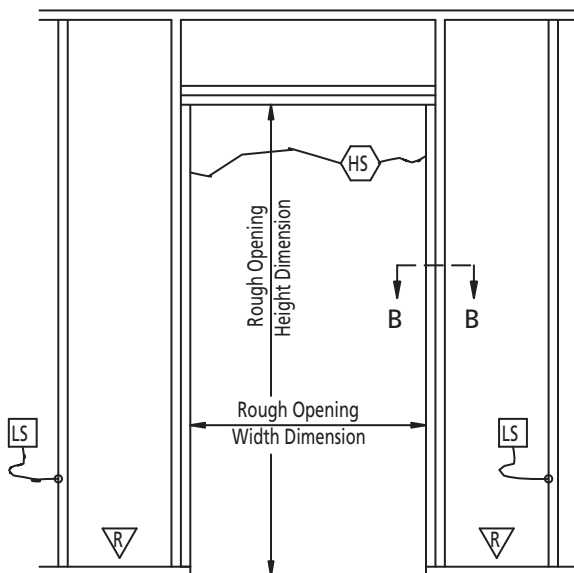


Fig. 2

The following methods will provide the necessary rigidity to prevent this distortion:

JAMBS

1. Provide wood (2x4) cripples at the door frame side of the light gage studs. Cripples to run from floor to underside of steel stud header. Refer to Fig. 1.

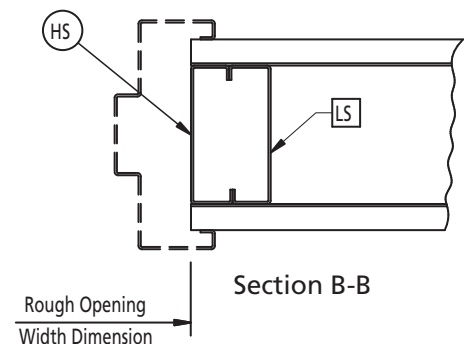
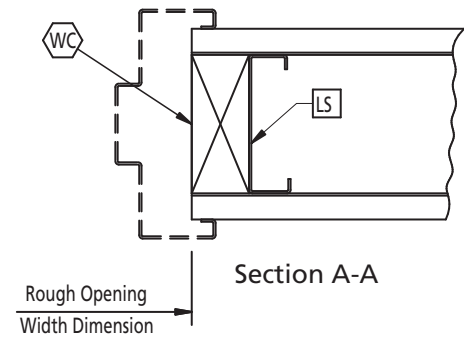
2. Provide two 16 gage steel studs (back to back) on either side of the door frame. Refer to Fig. 2.

SILL

If only light gage steel studs are used for framing the drywall frame, refer to page 13-305 Fig. 1 and 2.

- LS Steel Studs, less than 20 gage
- R Steel Floor Runner
- WC Wood Cripple (1-1/2" thick)
- HS Steel Studs, 16 gage

Note: Rip 2 x 4 to fit if stud is less than 3-1/2"



Distributor Tech Data

DRYWALL CONSTRUCTION LIGHT GAGE METAL STUDS

SERIES DQ, DU and DR

- (A) Notch studs as required to provide clearance for block.
- (B) Cut block to fit and place in channel as shown. Align with end of runner. (Block need not exceed 6" long.)

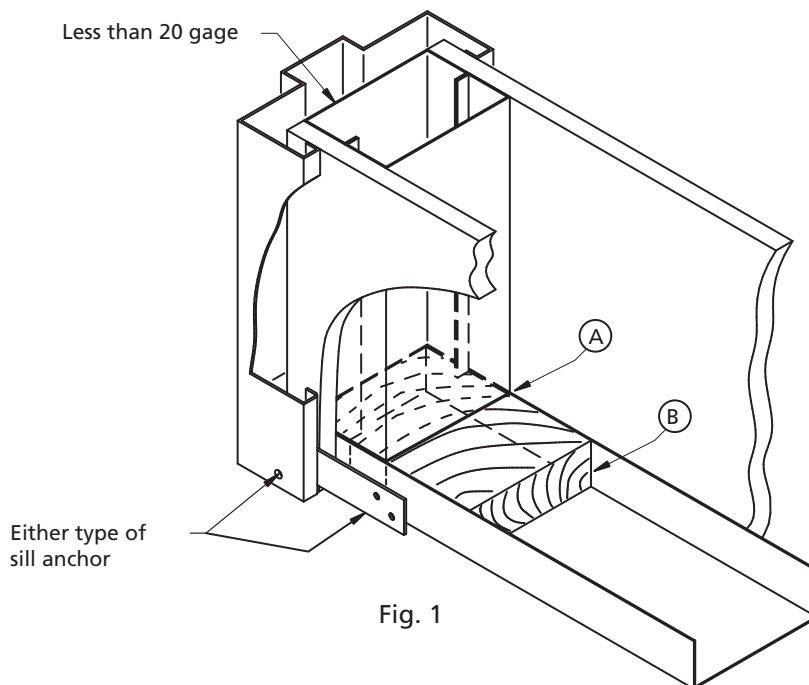


Fig. 1

SERIES DC with
STANDARD SILL ANCHOR

Project floor runners 5/8" past rough-in openings at both corners. (Not required when optional strap type sill anchor is used.) See Fig. 3

(A) and (B) proceed as in Fig. 1 above.

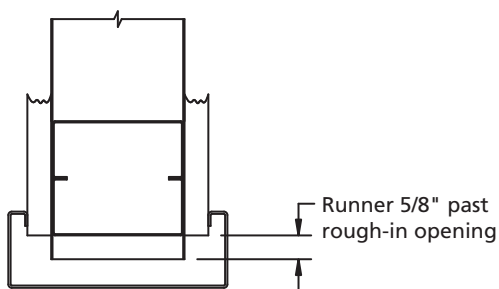


Fig. 3

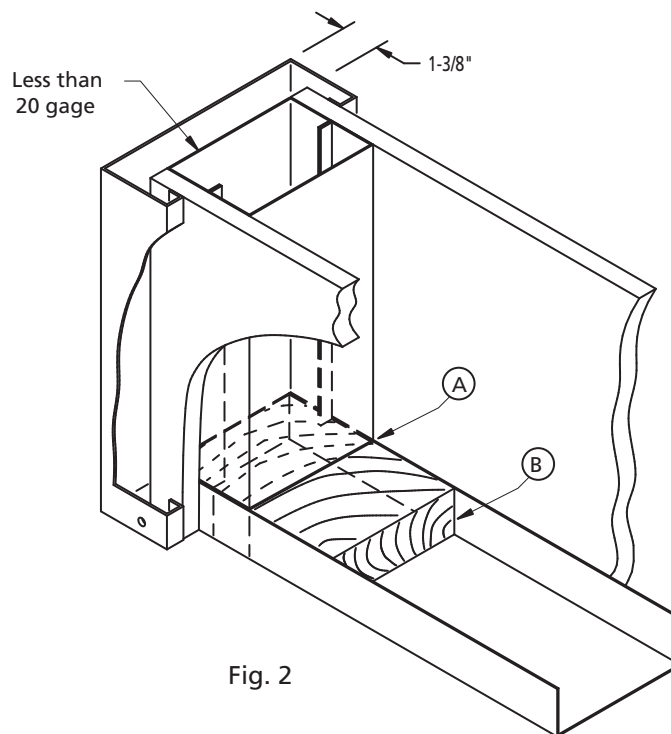


Fig. 2