

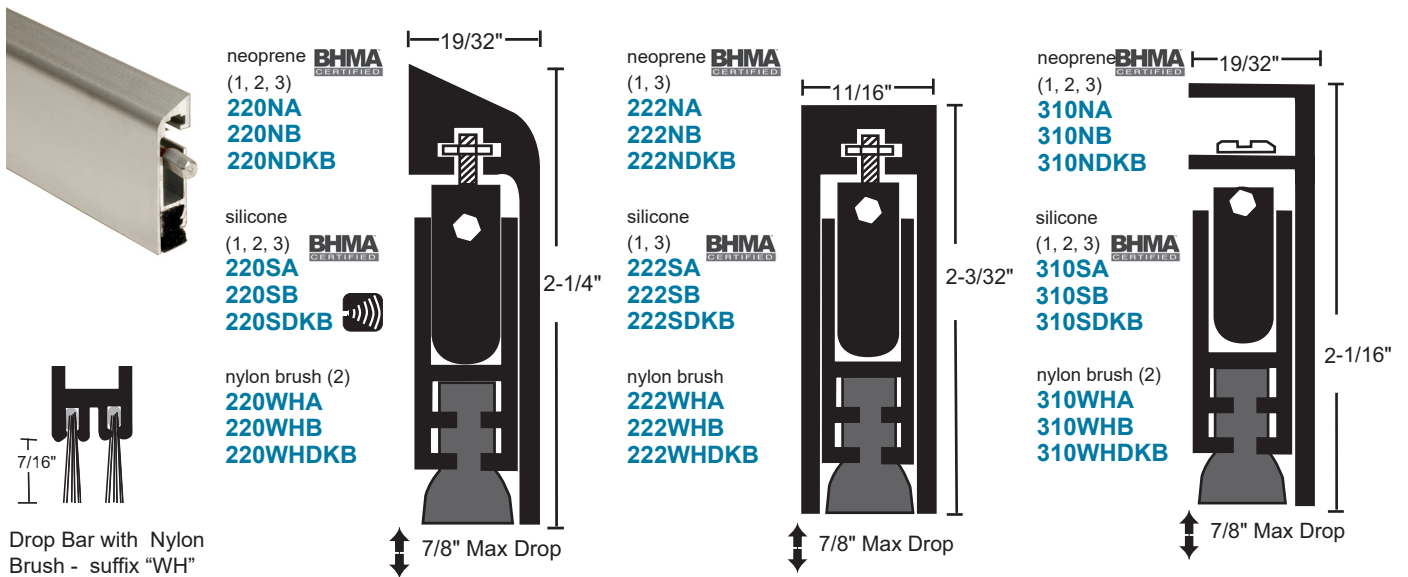
Automatic Door Bottoms - Surface

- Mounts on push side of door
- Use with a threshold for maximum sealing capability
- Nylon brush recommended for carpet applications where no threshold is provided
- Specify exact net length required to avoid field sizing
- 36" and longer may be cut up to 4" in the field, under 36" should not be cut in the field, order net length
- Minimum length 11", maximum length 60" (except 780)
- End caps furnished standard. Models 220, 221, 229, 310 require door handing, RH supplied standard units under 36" NOT field reversible. Please specify handing

All products this page

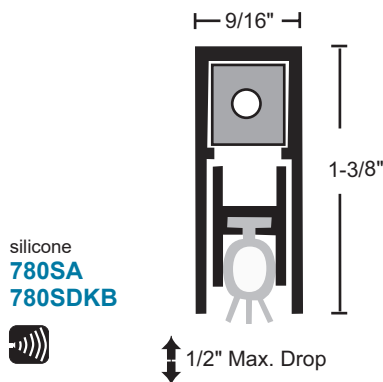


silicone is gray
neoprene is black
brush is gray with mill finish
and stainless steel; black with
gold, DKB and brass



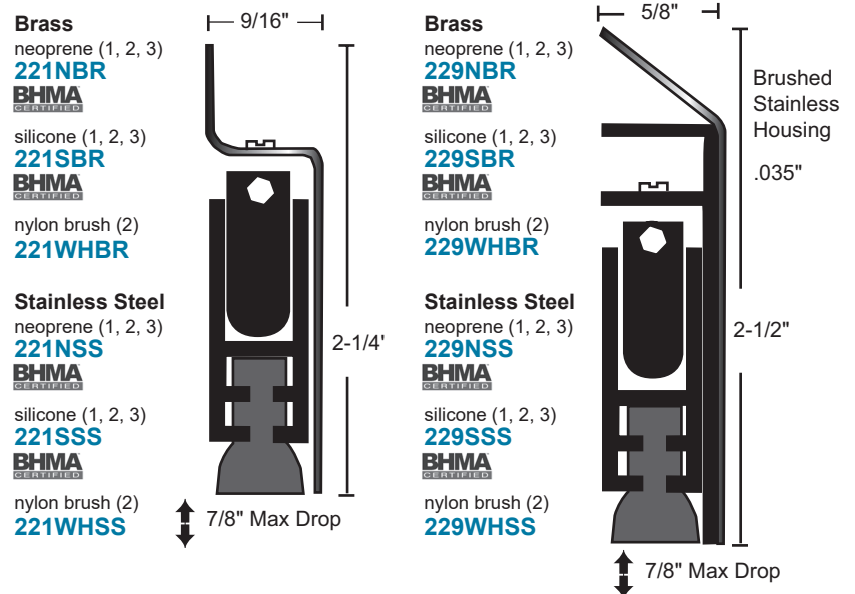
Slimline

Endurance Tested to 5 Million Cycles



Available 23" to 96" in length
End caps furnished standard.
Will work half mortised on swing or sliding doors!

Brass and Stainless Steel



1. Lead insert available for radiation shield - specify "lead-lined".
2. Door Bottom is handed. Right hand supplied unless specified. Units under 36" NOT field reversible. Please specify handing.
3. BHMA certified to ANSI/BHMA A156.22, 1,000,000 cycle test-grade 1.