



# Gasketing

WOOD DUCKS - Wood ducks are one of the most stunningly pretty of all waterfowl. They live in wooded swamps and nest in holes in trees or “wood duck boxes” erected in their living areas. Wood ducks are equipped with strong claws which allow them to perch on branches.

## Gasketing Product Index

---

### Page

Acoustical	G38B
Adhesive	G8-G12
Adjustable	G32-G33
Allseal Premium	G27
Anti-Ligature	G8
Anti-Microbial	G10-G11, G14-G16
Automatic Door Bottoms	G34-G38
Astragals	G48-G54
Bronze	G30-G31, G55
Concealed Fastener	G26, G36, G43, G50
Door Closer Compatible	G24, G25
Edge Sealing Systems	G8, G14-G16
Edge Sealing for Excessive Fire Door Clearances	G57
Edge Sealing for Excessive Fire Door Bottom Clearances	G58
Fast Attach Tape (FATT)	G12
Fasteners	G56
Foam Perimeter	G21
Intumescent	G14-G16
Kerf	G10, G21
Magnetic	G50, G55
Mullion	G13
Neoprene Perimeter	G18, G19
Nylon Brush Perimeter	G22, G23
Overhead Door	G47
Pile Perimeter	G17
Polyurethane Perimeter	G19
Rain Drip Guards	G55
Silicone Perimeter	G20, G21
Shoes	G38A-G43
Sound Rated	G4-G5
Steel Mounting Brackets	G32A
Sweeps	G44-G46
Stainless Steel	G28-G29
Vinyl Perimeter	G17





3	G32A	131N	G18	319ET	G43	819T	G38A
5V	G40	132N	G18	319ET6	G42A	819T6	G38A
6V	G40	133N	G18	319EV	G42	819V	G38A
7	G32A	134N	G18	319V	G42	1000R	G54
12T	G43	134S	G20	320	G36	1015V	G45
12V	G40	135N	G19	331	G41	1038N	G32
12T6	G42A	136N, 136S	G47, 53	335	G36	1390SP	G52
13T	G43	136P	G53	336P	G54	1392SP	G52
13T6	G42A	137N	G19, 48	340P	G54	2014R	G44
13V	G40	137S	G21, 48	344	G43	2525	G9
14R	G47, 51	139A	G52	384	G21	3038N	G33
15N	G41	139SP	G52	388	G21	4440	G38
16	G55	139SS	G28, 52	420N	G35	4441	G38
16SS	G29	140P	G50	421N	G35	4447	G38
17	G55	140S	G50	422N	G37	4448	G38
17SS	G29	141	G33	423N	G37	5020	G10
18V	G40	143	G53	520N	G35	5021	G10
19V	G40	144	G54	522N	G37	5025	G10
26N	G41	149M	G50	600	G23, 46, 49	5040	G9
35ET	G43	150U	G19	601	G23, 46	5050	G8
35ET6	G42A	151	G53	602	G22	5050 Anti-Lig	G8
35V	G42	152V	G17	603	G22	5060	G9
35EV	G42	152S	G21	A605	G23, 46, 49	5070	G11, 48
36ET	G43	155V	G17	B606	G23, 46, 49	5075	G11
36ET6	G42A	155S	G21	C607	G23, 46	5100	G13
36V	G42	156S	G21	D608	G23, 46	9000	G27
36EV	G42	156V	G17	G610	G23, 46	9001	G20, 27
43CB	G55	157M	G55	G611	G23	9002	G20, 27
54CP	G13	158	G51	H612	G23, 46	9115	G27, 48
60FP	G38B	159M	G55	H614	G23	9125	G27, 48
92	G39, 43	160S	G21	I-615	G23	9125SS	G28
92T6	G42A	160U	G19	I-616	G23	9450	G14
95WH	G41	160V	G17	D620	G22	9500	G16
96V	G45	161N	G19	G622	G22	9500 x 2525	G15
97V	G45, 49	161P	G17	H623	G22	9500 x 5020	G15
98V	G45	161S	G21	I-624	G22	9550	G14
99	G39, 43	161U	G19	A625	G22	9600	G27, 46, 48
99T6	G42A	161V	G17	F625	G22	9605	G27, 46, 48
100V	G45	162S	G21	A626	G22	9675	G27, 46, 48
101V	G45	164V	G17	C627	G46	9700	G25
102V	G45	165N	G18	OV633	G23, 46	9700E	G24
103N	G32	165S	G20	OV634	G23, 46	9706E	G24
104N	G32	170	G26	A635	G53	9750	G15
106	G32	172	G26	D648	G22	9800	G16
107	G32	176	G51	672	G26, 45, 49	9850	G15
108N	G18	178S	G51	673	G45	81369N	G47
109N	G51	185P	G17	674	G45	FATT	G12
109SS	G28	189M	G50	675	G26, 45, 49	Fasteners	G56
110N	G18	197N	G44	678	G45		
110S	G20	198	G44	679	G45		
112N	G41	199N	G44	680	G35		
113N	G41	200	G44	682	G37		
114	G51	200BR	G31	683	G37		
115N	G48	200SS	G29	D690	G46A		
116N	G47, 53	201N	G44	C697	G46A		
118N	G41	202N	G44	D698	G46A		
119N	G41	203N	G44	C699	G46A		
120N	G18	220	G34	700	G25		
120S	G20	221SS	G29, 34	700E	G24		
120SS	G28	221BR	G31, 34	701E	G24		
122N	G18	222	G34	701P	G25		
122SS	G28	223	G35	704V	G25		
125N	G48	225	G36	704E	G24		
125SS	G28	229SS	G29, 34	705V	G25		
127N	G18	229BR	G31, 34	705E	G24		
127S	G20	254P	G40	706	G25		
127SS	G28	284Q	G21	706E	G24		
129N	G19	303N	G33	780	G34		
129U	G19	304N	G33	781S	G37		
129SS	G28	310	G34	816N	G38A		
130N	G18	312V	G42	816T	G38A		
130BR	G30	312V X 131N	G38B	816T6	G38A		
130S	G20	313V	G42	816V	G38A		
130SS	G28	318V	G42	819N	G38A		

## Rating Symbols Legend



**POSITIVE PRESSURE - CERTIFIED by UL to ANSI/UL10C**; complies with IBC, NFPA 80 and NFPA 252 for application to Hollow Metal fire doors rated up to 3 Hrs., and Wood fire doors rated up to 90 minutes (some ratings vary as noted).



**CERTIFIED by UL to CAN/ULC-S104 and ANSI/UL10B**; complies with NFPA 80 and NFPA 252 for application to Hollow Metal fire doors rated up to 3 Hrs., and Wood fire doors rated up to 90 minutes (some ratings vary as noted).



**NGP-EDGE® SEALING SYSTEM**, Certified by UL to ANSI/UL10C Category 'G'; required for Category B wood fire doors to meet positive pressure requirements complying with IBC, and NFPA 252. See individual products for maximum door size and ratings.



**SMOKE & DRAFT CONTROL GASKETING**, Certified by UL to ANSI/UL10C and ANSI/UL 1784 Category 'H'; complies with IBC and NFPA 105 for use on 'S' labeled Positive Pressure Hollow Metal fire doors rated up to 3 hours, and Wood fire doors rated up to 90 minutes (some ratings vary as noted).



**ACOUSTICAL TESTED** to ASTM E90 Standard Test Method for Laboratory Measurement of Airborne Sound Transmission Loss of Building Partitions and Elements, and ASTM E2235 Standard Test Method for Determination of Decay Rates for use in Sound Insulation Test Methods. Refer to information on pages G4 and G5 for test result data.



**AIR INFILTRATION TESTED** to ASTM E283, Standard Test Method for Determining Rate of Air Leakage Through Exterior Windows, Curtain Walls, and Doors.



**ANTI-MICROBIAL**. Treated with an anti-microbial additive to inhibit the growth of microorganisms.



**ANSI/BHMA CERTIFIED**. Certified gasketing complies with American National Standard for Door Gasketing and Edge Seal Systems ANSI/BHMA A156.22, and is listed in the BHMA Certified Products Directory.



Online product listings: [www.ul.com/database](http://www.ul.com/database)



## LEED Green Building

The LEED (Leadership in Energy and Environmental Design) Green Building Rating System® is a national standard for developing high-performance, sustainable buildings developed by the U. S. Green Building Council.

Our current LEED letter containing LEED qualification information for all our products is available at [www.ngp.com](http://www.ngp.com)

Environmental Product Declarations (EPD) prepared and certified by an Independent Laboratory based on Life Cycle Assessments (LCA) of our products may be viewed on our website, [www.ngp.com](http://www.ngp.com)

Health Product Declarations (HPD) may be viewed on our website, [www.ngp.com](http://www.ngp.com)

National Guard Products sustainability report may be viewed on our website, [www.ngp.com](http://www.ngp.com)

Contact us regarding our end of use product recycling program.

## Materials

Metal retainers for gasketing are Aluminum Alloy 6063, T5 temper, unless noted.

Architectural Bronze gasketing is Alloy CDA 385 (Copper Alloy No. C38500), Architectural Bronze.

Stainless steel gasketing is Type 304; known for its excellent corrosion resistance, high tensile strength and resistance to oxidation.

NGP utilizes a variety of gasketing materials including Vinyl, Neoprene, Silicone, Nylon Brush, Thermo-Plastic Elastomers (TPE), Thermo-Plastic Vulcanizates (TPV), Polypropylene Pile, Ethylene-Propylene-Diene-Monomer (EPDM), Polyurethane, and Intumescent Fire Seals. Product Illustrations indicate the Gasketing material. Properties of many primary gasket materials are listed on the perimeter seal catalog pages.

Adhesive mounted gasketing utilizes a pressure sensitive modified acrylic adhesive protected by a release liner. Once installed it provides a permanent bond in exterior or interior locations. End use temperature range is -30°F up to 250°F. Shelf life of adhesive prior to installation is one year when stored at 75°F and 50% relative humidity or less.

## Gasketing Finishes

				<u>NGP Suffix:</u>
Aluminum:	Mill Finish	ANSI/BHMA 719	US27	None
	Anodized Aluminum	ANSI/BHMA 628	US28	A
	Dark Bronze			DKB
	Gold Powder Coat			B
	Polished	ANSI/BHMA 717		POL
	Powder Coated Colors – See Page L2 for details			
Architectural Bronze:	Satin Finish	ANSI/BHMA 728	US4	BR
	Dark Bronze Oil Rubbed	ANSI/BHMA 722	US10B	BR-DKB
	Polished	ANSI/BHMA 721	US3	BR-POL
Stainless Steel:	Brushed (#4)	ANSI/BHMA 630	US32D	None
Gasket Materials:	Neoprene is Black			N
	NGP-TPV is Black			N
	Polyurethane is Black			U
	Vinyl is Gray, except where noted as Black			V
	Silicone colors: Black, Brown, Clear, Gray, Tan, White			S
	Thermoplastic is Brown			T, T6
	Nylon Brush colors: Black, Gray			
	TPE colors: Brown, Charcoal, Clear, White			
Polypropylene Pile is Gray				
EPDM is Gray				

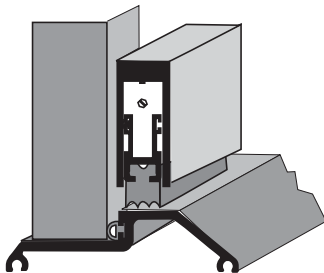
## Powder Coat Finish

Powder Coat finish is available on most metal gasketing retainers upon request. Refer to page L2 for standard color options. Consult factory for custom color matching.

## Sound Transmission Class (STC) Rated Single Door Assemblies

The chart below indicates the STC rating of specially made acoustic doors using various applications of gasketing. The first column is the rating of the door panel only; tested in a static inoperable condition to determine the sound transmission through the door. The second column is the rating of the operable door installed with hardware and gasketing which provides the STC rating of the door assembly.

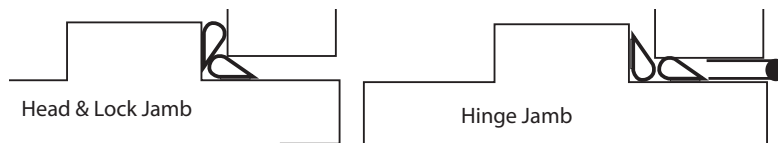
Acoustical testing to ASTM E90 Standard Test Method for Measurement of Airborne Sound Transmission Loss of Building Partitions and Elements, ASTM E2235 Standard Test Method for Determination of Decay Rates for use in Sound Insulation Test Methods, and ASTM E1332 Standard Classification for Rating Outdoor - Indoor Sound Attenuation. The sound transmission class (STC) was calculated in accordance with ASTM E413 Classification for Rating Sound Insulation.



897N x 420N

STC Rating Static Door Panel	STC Rating Operable Door w/ Gasketing	Perimeter Seals	Door Bottom	Threshold
30	<b>30</b>	103N, 107N, 120N, 122N 127N, 133N, 134N, 137N 137S, 303N, 700N, 700S	420N	897N
30	<b>30</b>	130S	225S	896S
30	<b>30</b>	107S	220S	950S
33	<b>31</b>	5020	780S	513
35	<b>33</b>	5025	780S	513
36	<b>33</b>	5050	335N	513
35	<b>34</b>	5020, 5075	780S	513
35	<b>35</b>	5070, 9750, 9850	335S	896S
40	<b>37</b>	5020, 5025	780S	513
40	<b>37</b>	5075	12T	513
40	<b>37</b>	103N, 107N, 303N	420N	897N
40	<b>38</b>	•(2) 5050	335N	896S
40	<b>39</b>	120N, 122N, 133N, 134N 137N, 137S, 700N, 700S	420N	897N
40	<b>39</b>	107S	220S	950S
44	<b>39</b>	1038N, 3038N	423N	896S
43	<b>39</b>	•(2) 5050	420N	412
42	<b>40</b>	•(2) 5050	Mortise 312V	896S
43	<b>40</b>	•(2) 5050	423N	896S
44	<b>40</b>	131N	335N	896S
47	<b>41</b>	103NFS	422N	897N
45	<b>42</b>	•(2) 5050	335N	896S
47	<b>43</b>	•(2) 5050	423N	896S
50	<b>43</b>	103N, 134N	420N	897N
50	<b>43</b>	107S	220S	950S
51	<b>43</b>	159M	420N	897N
48	<b>44</b>	•(2) 5050	423N	896S
49	<b>44</b>	103NFS	422N	8434S
52	<b>44</b>	107N, 131N, 1038N, 3038N	420N	897N

• Indicates 2 rows of 5050 installed as follows:



## STC Seal Sets - Single Doors

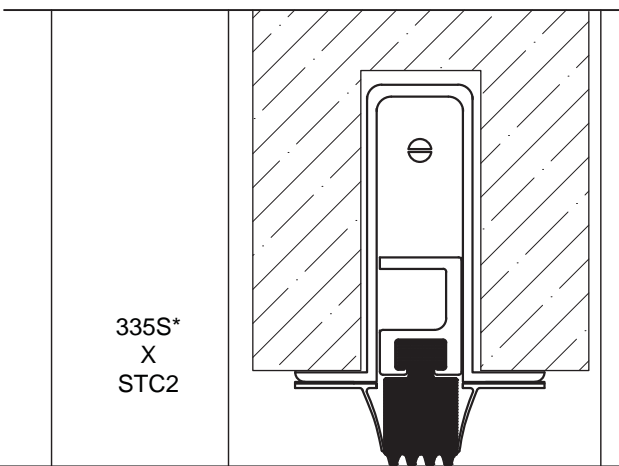
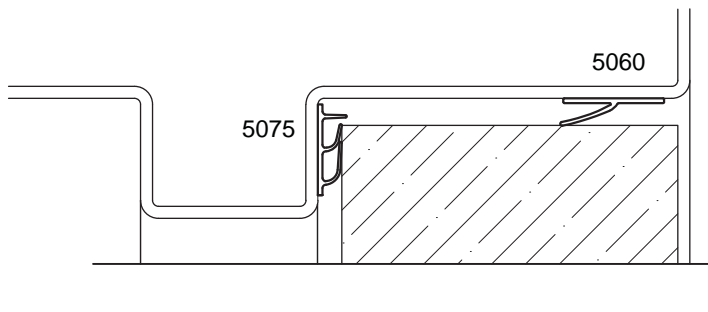
NGP Seal Sets maintain the static door panel STC with NO DROP OFF in an operable condition, up to the STC rating indicated.

STC Seal Set	STC Rating	Perimeter Seals at Heads & Jambs	Door Bottom	Corner Pads	Threshold
1	33	5050 & 2525	312V X 131N	60FP (2 req.)	8144S*
2	45	5075 & 5060	312V X 131N	60FP (2 req.)	8144S*
3	52	5075 & 5060	335S X STC2	60FP (2 req.)	8144S*
4	52	5075 & 5060	12T6 X STC-FH	60FP (2 req.)	8144S*
5	52	5075 & 5060	225S X STC2	60FP (2 req.)	8144S*
6	52	5075 & 5060	None	None	896S-ADJ

\*optional

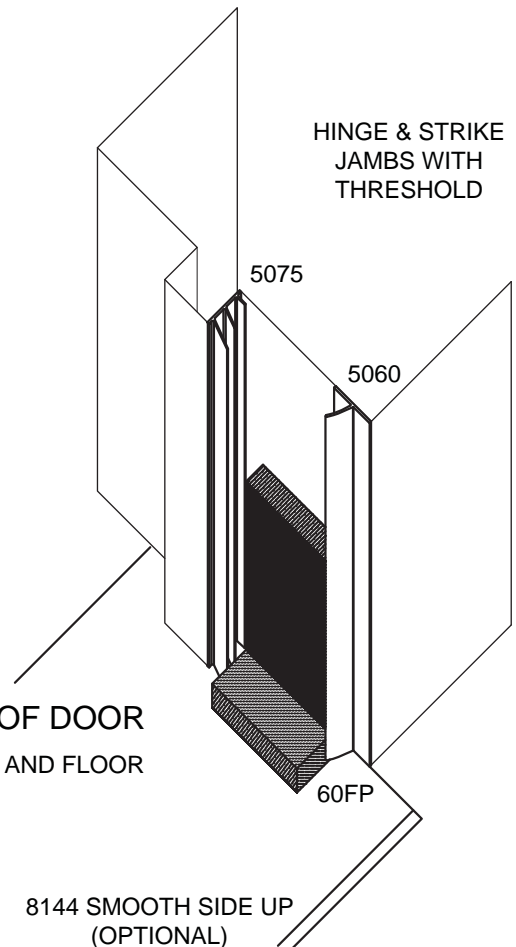
### STC #3 Illustration

TOP OF FRAME  
HEADER / JAMB AND DOOR



8144 SMOOTH SIDE UP  
(OPTIONAL)

BOTTOM OF DOOR  
THRESHOLD AND FLOOR



8144 SMOOTH SIDE UP  
(OPTIONAL)

\*For best acoustic results a 1/4" drop is recommended; 3/8" drop maximum

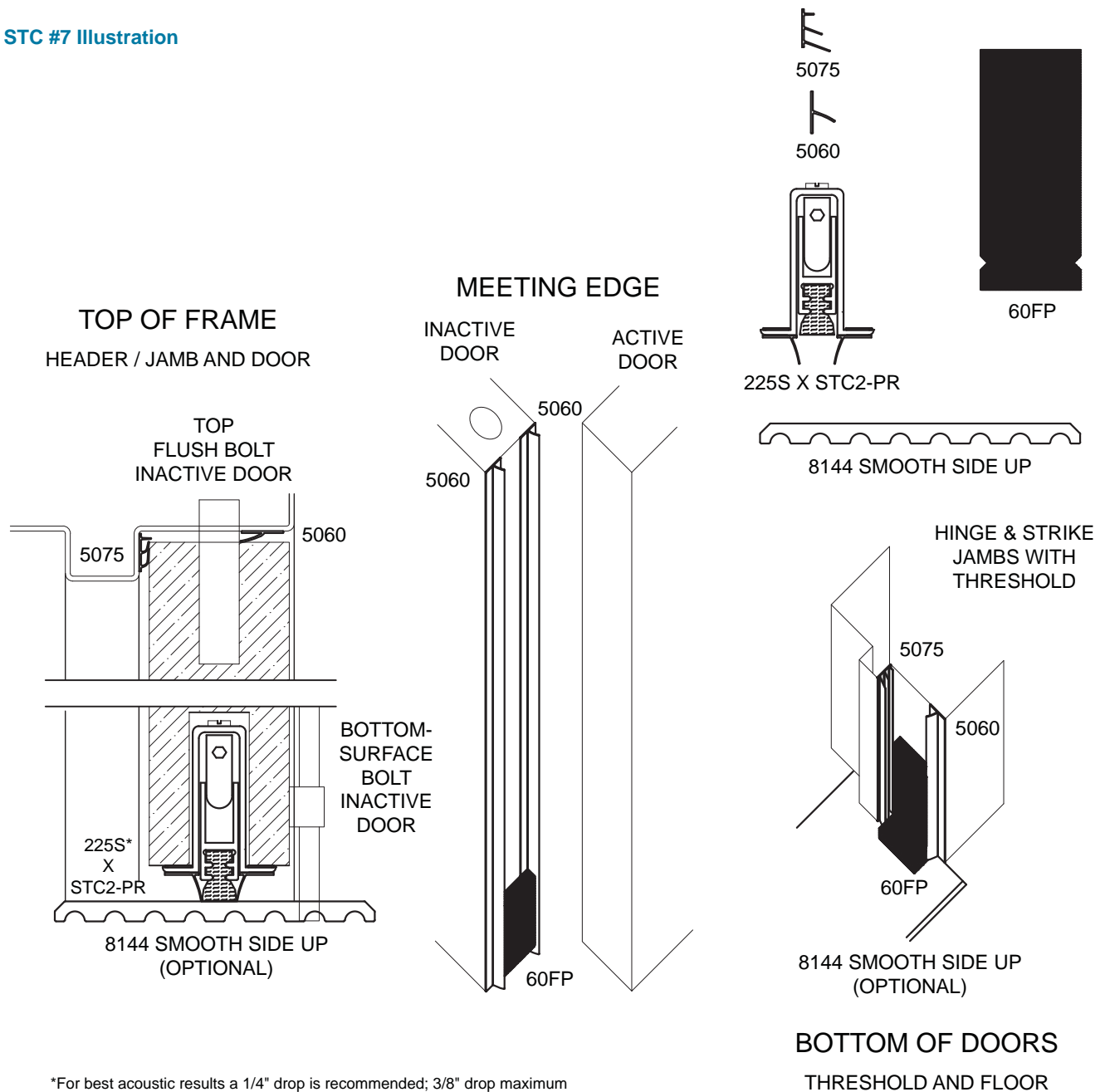


## STC Seal Sets - Pairs of Doors

STC Seal Set	STC Rating	Perimeter Seals at Heads & Jambs	Door Bottom	Corner Pads	Meeting Edge Seals	Threshold
7	45	5075 & 5060	225S X STC2-PR	60FP (3 req.)	5060 (2 req.)	8144S*
8	45	5075 & 5060	12T6 X STC-FH	60FP (3 req.)	5060 (2 req.)	8144S*
9	45	5075 & 5060	335S X STC2-PR	60FP (3 req.)	5060 (2 req.)	8144S*

\*optional

### STC #7 Illustration



\*For best acoustic results a 1/4" drop is recommended; 3/8" drop maximum



## Sound Transmission Class (STC) Rated Pairs of Doors

Pairs of doors are intrinsically more difficult to control sound transmission through. Sealing the gap between the meeting edges under the doors is challenging, requiring a combination of properly coordinated and installed gasketing to seal all gaps.

STC Rating Static Door Panel	STC Rating Operable Door w/ Gasketing	Perimeter Seals	Door Bottom	Threshold	Astragal
35	35	5020		896S	5070
35	35	5070		896S	5070
35	34	5020	780S	512	5070
35	33	5025		896S	5070

## Standard Doors without Special Acoustic Cores

Solid core wood doors with gasketing test to an STC rating of approximately 28 to 30. Mineral core wood doors and Honey comb core hollow metal doors with gasketing test to an STC rating of approximately 32 to 36. Without gasketing these doors have no sound control and test to an STC rating between 15 and 20.

To most effectively reduce sound transmission and maximize the acoustic performance we recommend the following be used:

### PERIMETER AND DOOR BOTTOMS

- 107S Perimeter Seal
- 700S Seal at head if a parallel arm closer is used
- 220S Automatic Door Bottom
- Any Threshold - To allow proper sealing of Automatic Door Bottom

### MEETING EDGE of PAIRS

- 109N Overlapping Astragal
- 5070 Adhesive Astragal
- 115N Astragal Set

## School Classroom Door STC Requirements

ANSI/ASA S12.60 Acoustical Performance Criteria, Design Requirements, and Guidelines for schools requires interior doors opening into core learning spaces to achieve STC 30 or greater in their operable condition and interior doors into music rooms at least STC 40.

## ANSI/BHMA

The following interprets ANSI/BHMA numbers which identify type and function of products. For products that meet ANSI/BHMA Standards, look for the BHMA certified logo next to the product in our catalog. For a complete listing refer to the BHMA Certified Products Directory, available online at [www.buildershardware.com](http://www.buildershardware.com)

### ANSI/BHMA A156.22 American National Standard for Door Gasketing and Edge Seal Systems

1 Product Section	2 Retainer Material	3 Gasketing Material	4 Product Type	5 Material Application	6 Gasketing Rating
"R"  designates Gasketing	1. Brass or Bronze 3. Aluminum 5. Stainless Steel 0. Optional material or none used	A. Brush /Neoprene, solid B. Neoprene, solid S. Intumescent C. Neoprene, closed /Neoprene, closed cell D. Vinyl T. Intumescent/ Vinyl E. Silicone Rubber U. Intumescent F. Pile / Silicone Rubber G. Thermoplastic V. Intumescent/ Pile Elastomer (TPE) W. Intumescent H. Thermoplastic / Thermoplastic Urethane (TPU) Elastomer (TPE) J. Thermoplastic X. Intumescent Rubber / Thermoplastic K. Spring Metal Urethane (TPU) L. Magnetic Y. Optional material or M. Felt none used N. Rubber Fabric Z Intumescent P. Intumescent / Thermoplastic Q. Intumescent/Brush Rubber R. Intumescent	1. Head & Jamb 2. Head & Jamb, Adjustable 3. Automatic Door Bottom 4. Door Sweep or Shoe 5. Door Sweep or Shoe with Drip Cap 6. Astragal 7. Astragal Split or Compensating 8. Astragal Adjustable 9. Rain Drip without gasket 0. Other	1. Door Edge 2. Door Edge, Mortise 3. Door Face 4. Door Face, Semi-Mortise 5. Frame Rabbet (surface or mortise) 6. Frame Soffit (H.M.) Frame Stop (WD) 7. Frame Face 8. Kerf 9. Stop (H.M.), Stop Face (WD) 0. Other	0. Smoke/Energy Performance/ Acoustic Rated 1. Smoke/Energy Performance rated. 2. Smoke/Acoustic Rated 3. Energy Performance/ Acoustic Rated 4. Smoke Rated 5. Energy performance Rated 6. Items not rated. 7. Acoustic Rated

## Buy American Requirements

### Buy American Act

Over 99% of our products are produced in the United States as a domestic construction material, as defined in the Buy American Act (BAA) of March 1933 and amended by the Buy American Act of 1988 and FAR 52.225-9. A Buy American certificate may be obtained on our website [www.ngp.com](http://www.ngp.com)

### Federal American Recovery and Reinvestment Act

More than 99% of our products qualify as manufactured products produced in the United States as manufactured goods, as defined in OMB Guidance (176.140; 176.70(a) (2) (ii); 176.160, complying with the Federal American Recovery Reinvestment Act, ARRA-2009. Contact us for a Buy America ARRA certificate for your project.

### Buy America

More than 99% of our products comply with Buy America Requirements of 49 U.S.C. 5323(j)(1), and the applicable regulations in 49 CFR part 661. Contact us for a Certificate of Compliance for your project.

Components of unknown origin are considered to have been produced or manufactured outside the United States.

## The International Building Code (IBC)

The International Building Code (IBC) requires swinging fire doors to be tested in accordance with ANSI/UL 10C or NFPA 252, with the neutral pressure level established at 40 inches or less above the sill. This causes “positive pressure” forces against the door assembly above 40 inches.

The result is hot gases and smoke leak out between the door and frame above this level, posing a serious threat to life-safety; and on wood doors rapidly deteriorating the integrity of the door edges, requiring either a built-in or supplemental “edge sealing system” to pass the test.

Fire door assemblies in corridors and smoke barrier walls are required to be smoke and draft control assemblies tested in accord with UL1784 allowing a maximum air leakage of 3 cubic feet per minute per square foot of door opening at ambient temperature (75°F) and elevated temperature (400°F). These assemblies require the letter “S” on the fire rating label of the door indicating compliance “when listed or labeled gasketing is also installed.”

Fire doors are classified into category **A** or **B** based upon their construction and edge sealing system requirements. Fire-rated gasketing is classified as follows:



**Category G** - Edge Sealing Systems



**Category H** - Smoke and Draft Control Gasketing



**Category J** - Gaskets other than Category G or H.

### Category A classified fire doors:

**Hollow Metal Fire-Rated Doors**  
**Wood Fire-Rated Doors constructed with edge seals built-in** during the manufacturing process.

**Require Category H** – Smoke and Draft Control Gasketing at **perimeter** and at **meeting edge of pairs** of “S” label doors in corridor locations or smoke barrier walls.

**Require Category H** – Smoke and Draft Control **door bottom seals** on “S” label doors where pressurization is provided to restrict smoke movement (typically controlled by HVAC system).

The following products are recommended UL classified Category H for wood doors - 90 min. max., hollow metal doors - 3 hour max.



Perimeter: 2525, 5020, 5025, 5040, 5050, 5070, 5075



Meeting edge of pairs: 115N, 125N, 137N, 137S, 5070, 9115, 9125, 9600, 9605

### Category B classified fire doors:

**Wood Fire-Rated Doors that require the addition of a Category G classified edge sealing system** in the field.

**Require Category G** – Edge Sealing System, at **perimeter** and at **meeting edge of Pairs**.

**Require Category H** – Smoke and Draft Control Gasketing at **perimeter** and at **meeting edge of pairs** of “S” label doors in corridor locations or smoke barrier walls.

**Require Category H** – Smoke and Draft Control **door bottom seals** on “S” label doors where pressurization is provided to restrict smoke movement (typically controlled by HVAC system).

The following products are recommended UL classified for both category G and H:

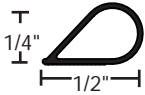


Perimeter 20 minute: 5050  
Perimeter 45, 60, 90 minute: 9450, 9550, 9750, 9850



Meeting edge of pairs: 9550

## Self-Adhesive Silicone Gasketing



- 5050B** Brown
- 5050C** Charcoal
- 5050W** White
- 5050T** Tan
- 5050CL** Clear

Available in 17', 20', 21', 25' and 300' rolls

\*Clear not available in 21'

### Silicone Bulb Fire and Smoke Seal



**Edge Sealing System - Category "G" for 20 minute rated category B wood doors perimeter application up to:**

- single swing 4'0 x 8'0
- pairs 8'0 x 8'0
- use 9550 at the meeting edge of pairs

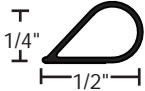
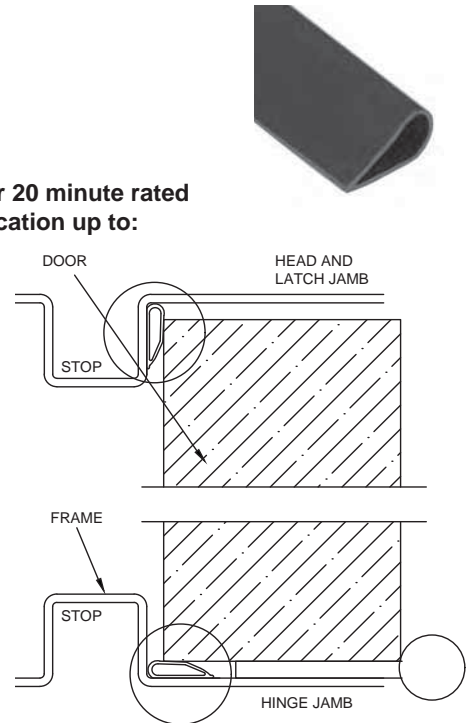


**Smoke and Draft Control - Category "H"**  
Up to 3 hours Hollow Metal fire doors  
Up to 90 minutes Wood fire doors



Meets requirements of RoHS Directive

See adhesive specifications on page G9



- ANTI-LIG 5050B** Brown
- ANTI-LIG 5050C** Charcoal
- ANTI-LIG 5050W** White
- ANTI-LIG 5050CL** Clear

Available per foot (bulk) or in stock length 300' rolls.

### Anti-ligature Silicone Bulb Fire and Smoke Seal

Anti-ligature feature has serrations every 8" designed to break apart preventing it from being used to hang or strangle.

Applications include psychiatric facilities, prisons and other treatment facilities.

Installs as a continuous length providing the same sealing properties for light, sound, air and smoke as our original 5050.



**Edge Sealing System - Category "G" for 20 minute rated category B wood doors perimeter application up to:**

- single swing 4'0 x 8'0
- pairs 8'0 x 8'0
- use 9550 at the meeting edge of pairs

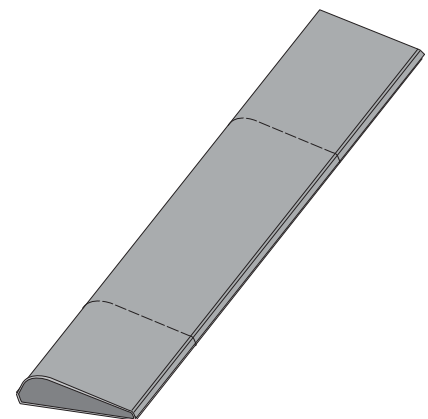


**Smoke and Draft Control - Category "H"**  
Up to 3 hours Hollow Metal fire doors  
Up to 90 minutes Wood fire doors

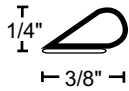


Meets requirements of RoHS Directive

See adhesive specifications on page G9



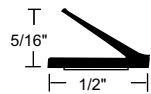
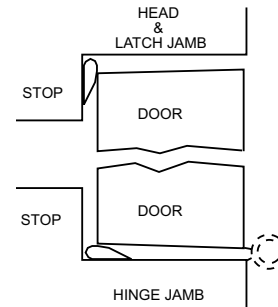
# Self-Adhesive Silicone Gasketing



- 2525B** Brown
- 2525C** Charcoal
- 2525W** White

## Silicone Bulb Smoke Seal

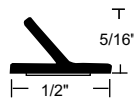
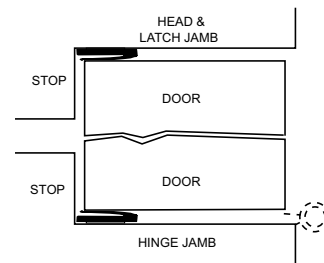
Available in 17', 20', 25' and 300' rolls.



- 5040B** Brown

## Silicone Fin Smoke Seal

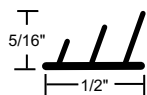
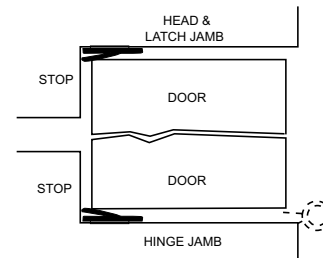
Available in 17', 20', 25', 300' rolls



- 5060B** Brown
- 5060C** Charcoal
- 5060CL** Clear

## Silicone Fin Smoke Seal

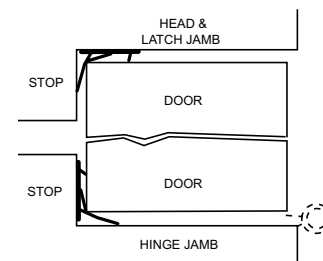
Available in 17' and 21' rolls.



- 5077B** Brown

## Self-Adhesive Silicone Seal

Available in 17', 21' and 25' rolls.

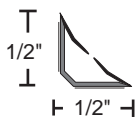


**Adhesive specifications:** Modified acrylic pressure sensitive adhesive protected by release liner. Provides high initial adhesion and long term holding power for permanent mounting in exterior or interior locations. Resistant to aging, weathering, UV radiation, water, detergent, alcohol and the influence of chemicals. End use temperature range, long term exposure -30°F up to 250°F. Shelf life of adhesive prior to installation is one year when stored at 75°F and 50% relative humidity or less.

## Self-Adhesive TPE Gasketing

### Properties:

- Thermo-Plastic Elastomer (TPE)
- Good abrasion resistance
- Moisture resistant
- BHMA certified to ANSI/BHMA A156.22 performance tests for heat, cold, air infiltration and energy performance
- Adhesive specifications shown on page G9
- Rigid base with flexible elastomeric fins
- Flame resistant
- Temperature range -60°F to 275°F
- Anti-microbial: treated with an anti-microbial additive to inhibit the growth of microorganisms
  - REACH and RoHS compliant

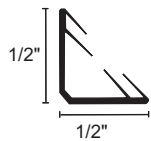
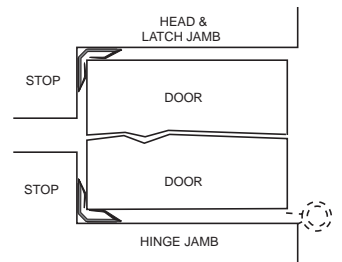


### TPE Batwing Smoke Seal

- 5020B** Brown
- 5020C** Charcoal
- 5020W** White
- 5020CL** Clear



Available in 36", 48", 72", 84", 96" and 108" lengths



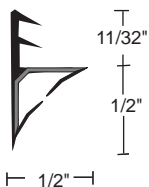
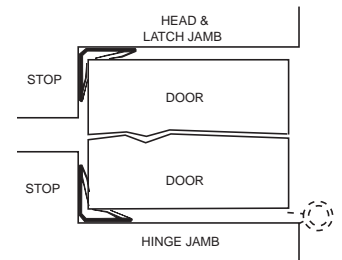
### TPE Double Batwing Smoke Seal

Superior sealing characteristics against smoke, air & sound

- 5025B** Brown
- 5025C** Charcoal
- 5025W** White
- 5025CL** Clear



Available in 36", 48", 72", 84", 96" and 108" lengths



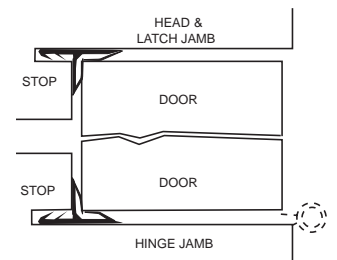
### TPE Batwing Smoke Seal (Kerf Press-in)


- 5021B** Brown
- 5021C** Charcoal
- 5021W** White



Fits Kerf 1/8" wide x 7/16" deep

Available in 36", 48", 84", 96" and 108" lengths

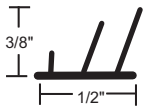


 \* Anti-microbial not available in clear

# Self-Adhesive TPE Gasketing

## Properties:

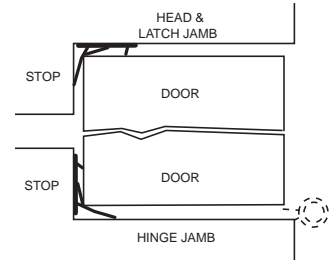
- Thermo-Plastic Elastomer (TPE)
- Good abrasion resistance
- Moisture resistant
- BHMA certified to ANSI/BHMA A156.22 performance tests for heat, cold, air infiltration and energy performance
- Adhesive specifications shown on page G9
- Rigid base with flexible elastomeric fins
- Flame resistant
- Temperature range -60°F to 275°F
- Anti-microbial: treated with an anti-microbial additive to inhibit the growth of microorganisms
  - REACH and RoHS compliant



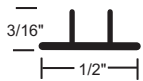
- 5075B** Brown
- 5075C** Charcoal
- 5075CL** Clear
- 5075W** White\*



Available in 36", 48", 72", 84", 96" and 108" lengths  
 \*White available in 36", 48", 84" and 96" lengths



## TPE Double Shark Fin Smoke Seal

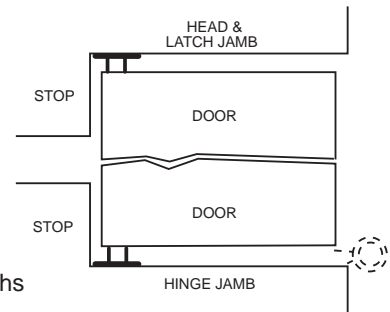



Smoke rated for perimeter and/or meeting edge astragal applications

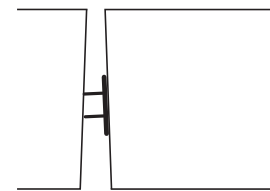
- 5070B** Brown
- 5070CL** Clear



Available in 36", 48", 72", 84", 96" and 108" lengths



 \* Anti-microbial not available in clear



Astragal application pair of doors

## Self-Adhesive Gasketing

Adhesive bonds for permanent mounting once installed

Shelf life of adhesive products prior to installation is one year

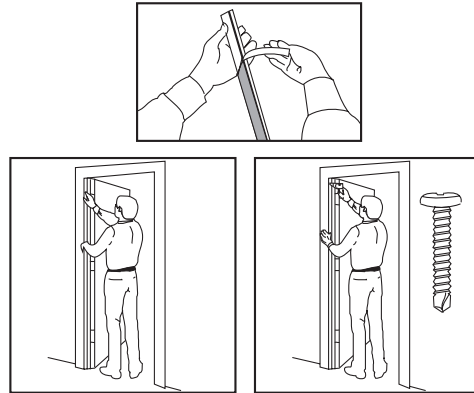
### “FATT”

#### *Fast Attach Two-Way Tape*

Fast attach two way tape provides an easy and effective alternative for gasketing installation. Two way tape is applied to the metal housing insuring a quick and easy installation. Then for security, 3 tek-type self drilling screws are provided to further secure each piece of material to the frame stop. A no problem installation with no holes to drill.

To order add suffix “FATT” to product number. See price list for products available with this feature.

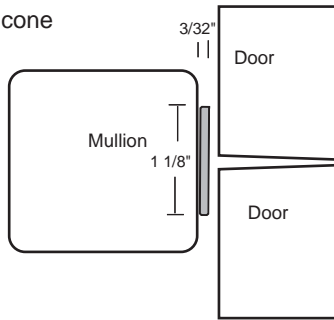
FATT IS NOT CLASSIFIED FOR USE ON FIRE DOORS.





## Seal for Mullion Applications

**5100N** Black Silicone  
**5100S** Gray Silicone



Closed cell silicone sponge strip 1-1/8" wide x 3/32" thick with an adhesive strip for mounting directly to the face of the mullion that doors close against.



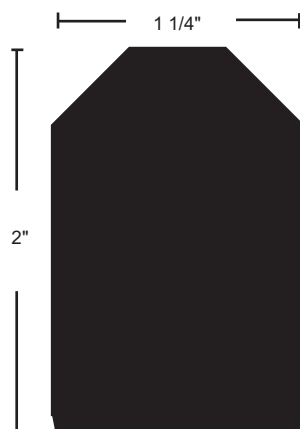
Available in 86" and 96" lengths

Self-Adhesive

See adhesive specifications on page G9

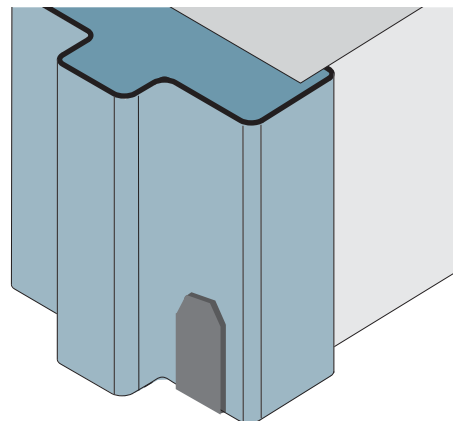
## Corner Pad

**54CP** Black polypropylene pile

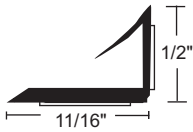


Helps acoustics and seals corner gap for air leakage control. Apply to jamb on hinge side, opposite bottom corner of door edge.

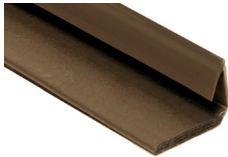
Self-Adhesive



## NGP-Edge® Sealing System/Smoke and Draft Control Gasketing Category “G” and “H” Classified



**9450B** Brown  
**9450C** Charcoal



### Intumescent with TPE Fin Fire and Smoke Seal



**20, 45, 60, 90 minute rated category B wood doors**  
perimeter application up to:

single swing 4'0 x 9'0

standard pair 8'0 x 9'0 use 9550 at the meeting edge

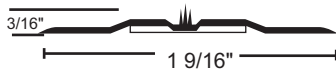
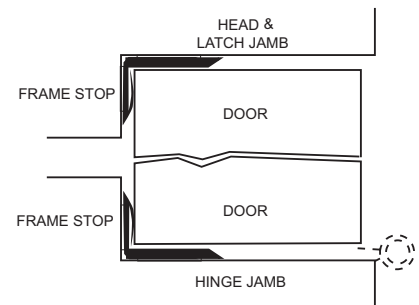


1/8" clearance required between door and frame

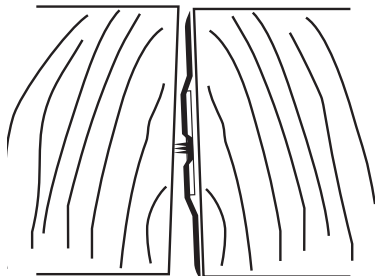
Available in 36", 48", 84", 96" and 108" lengths

Self-Adhesive

See adhesive specifications on page G9



**9550** Gray  
**9550DKB** Brown



### NGP-Edge® Intumescent with TPE Fins Fire and Smoke Seal



**20, 45, 60, 90 minute rated category B wood doors up to:**

single swing 4'0 x 9'0, perimeter application

pairs 8'0 x 9'0, perimeter/meeting edge

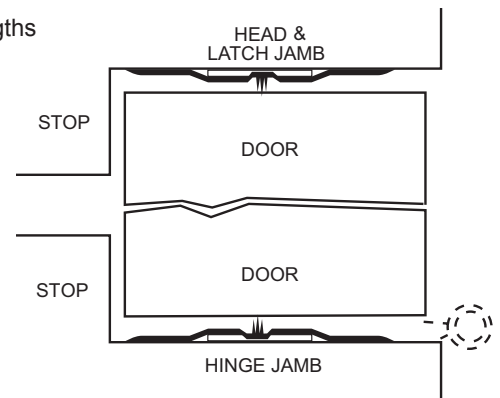


1/8" clearance required between doors and between door & frame

Available in 36", 48", 84", 96" and 108" lengths

Self-Adhesive

See adhesive specifications on page G9



# NGP-Edge® Sealing System/Smoke and Draft Control Gasketing Category 'G' and 'H' Classified




**9850B** Brown  
**9850C** Charcoal



**9750B** Brown  
**9750C** Charcoal

## Intumescent with TPE Fire and Smoke Seal

 **20, 45, 60, 90 minute rated category B**  
**wood doors perimeter application up to:**  
single swing 4'0 x 9'0  
pairs 8'0 x 9'0

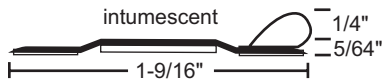


1/8" clearance required between door and frame

Available in 36", 48", 84", 96" and 108" lengths


Self-Adhesive

See adhesive specifications on page G9



**9500DKB x 2525B** Brown  
**9500 x 2525B** Gray x Brown  
**9500 x 2525W** Gray x White

## NGP-Edge® Intumescent Fire Seal x Smoke Seal

 **20, 45, 60, 90 minute rated category B**  
**wood doors perimeter application up to:**  
single swing 4'0 x 9'0  
pairs 8'0 x 9'0

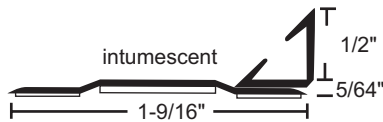


1/8" clearance required between door and frame

Available in 36", 48", 84", 96" and 108" lengths

Self-Adhesive

See adhesive specifications on page G9



**9500DKB x 5020B** Brown  
**9500 x 5020B** Gray x Brown



## NGP-Edge® Sealing Systems - Category 'G' Classified

NGP Intumescent materials are formulated to expand at 375°F to 400°F up to 8-10 times their original thickness; completely sealing the gap around and between doors during a fire.



- 9800B** Brown
- 9800C** Charcoal
- 9800W** White

Intumescent with Protective Skin

Available in 17', 21' and 150' rolls

Self-Adhesive

See adhesive specifications on page G9



### Intumescent Fire Seal

#### Perimeter Application:



**20, 45, 60, 90 minute rated category B wood doors up to**

single swing 4'0 x 9'0

pairs 8'0 x 9'0

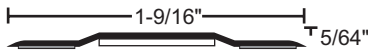
#### Meeting Edge Application up to 8'0 x 9'0 pairs of category B wood doors:



**20 Minute rated with single strip installed**



**45, 60 Minute rated with two strips installed**



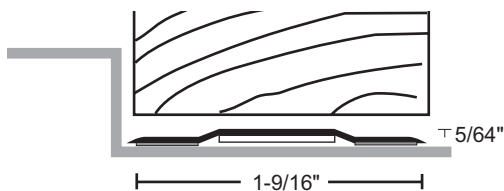
- 9500** Gray
- 9500DKB** Brown

Intumescent with PVC cover

Available in 36", 48", 84", 96" and 108" lengths

Self-Adhesive

See adhesive specifications on page G9



### NGP-Edge® Intumescent Fire Seal

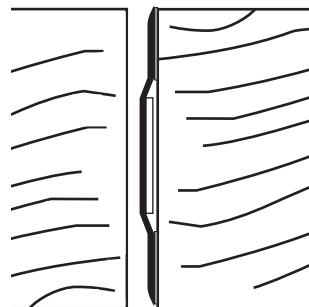


**20, 45, 60, 90 minute rated category B wood doors up to:**

single swing 4'0 x 9'0, perimeter application

pairs 8'0 x 9'0, perimeter/meeting edge

U.S. Pat. DES 417,739



1/8" clearance required between doors and between door and frame

# Vinyl Seals

## Properties

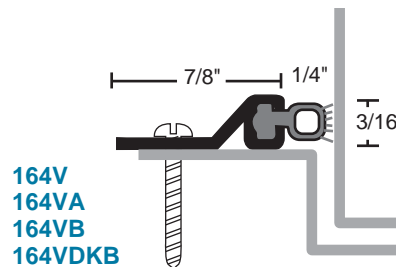
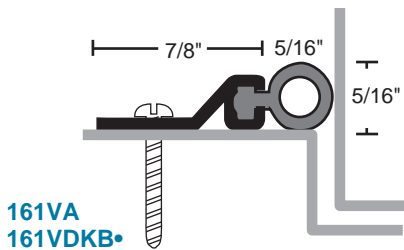
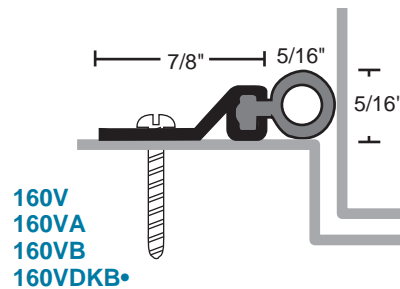
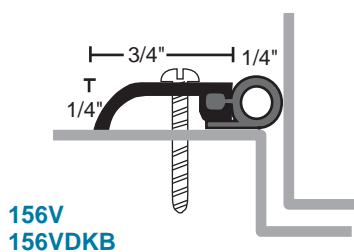
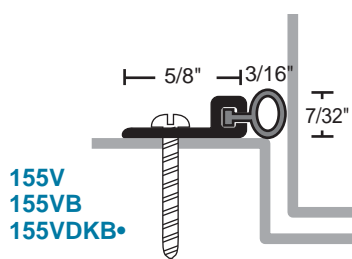
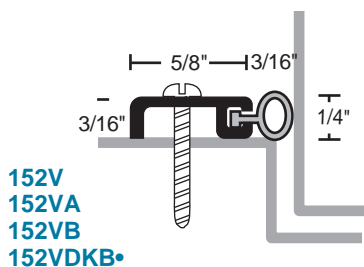
- Thermoplastic polymer: Polyvinyl Chloride formulated with an environmentally friendly Bio-based plasticizer
- Economical
- Flame resistant
- Moisture resistant
- Temperature range 0°F to 140°F
- Oxidative degradation from age and exposure to Cold, Heat and UV causes hardening, loss of memory and resilience, cracking, crazing and discoloration

All vinyl seals this section



**A** - anodized aluminum  
**B** - gold  
**DKB** - dark bronze  
 no suffix - mill aluminum  
 vinyl is gray  
 exception: •vinyl is black

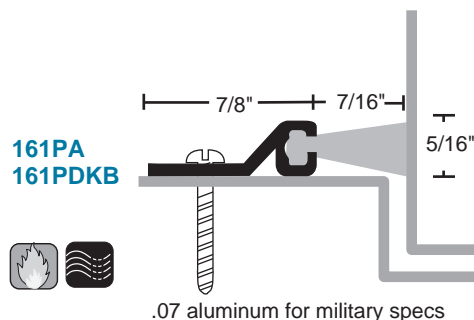
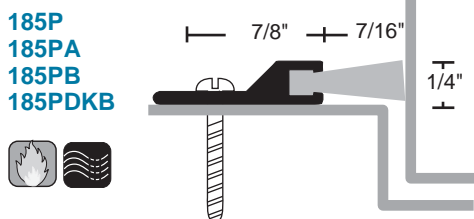
#6 x 3/4" Stainless Steel Sheet Metal Screws furnished  
 Screw holes slotted for adjustment



.07 aluminum for military specs

# Polypropylene Pile Seals

Temperature range 32°F to 275°F  
 Pile is gray



.07 aluminum for military specs

## Neoprene Sponge Seals

**Properties:**

- Synthetic rubber polymer blend: PVC, Nitrile rubber (NBR), and Chloroprene closed cell advanced elastomeric foam
- Very good abrasion resistance, tensile strength and memory
- Flame resistant
- Moisture resistant
- Temperature range -20°F to 200°F
- Good resistance to ozone, sunlight and aging
- BHMA Certified to ANSI/BHMA A156.22 performance tests for Heat and Cold

#6 x 3/4" Stainless Steel Sheet Metal Screws furnished.  
Screw holes slotted for adjustment

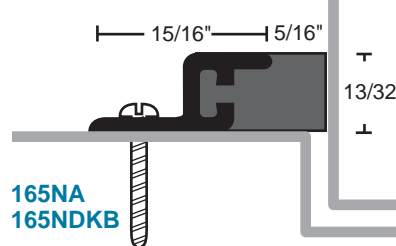
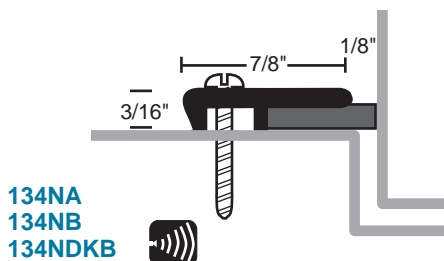
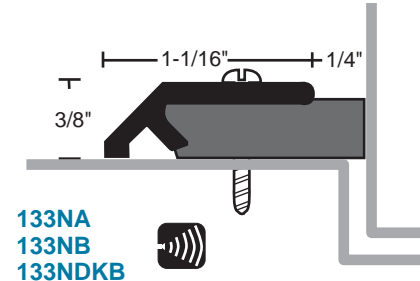
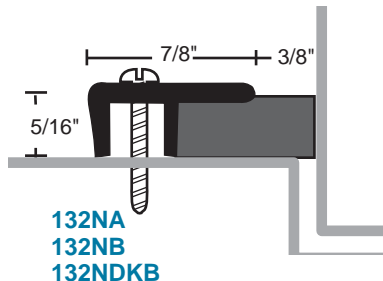
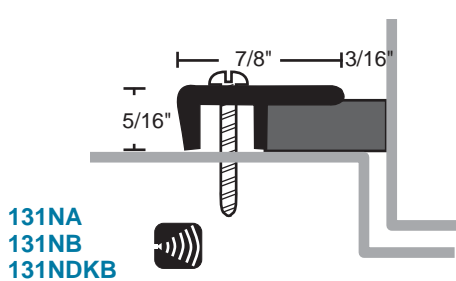
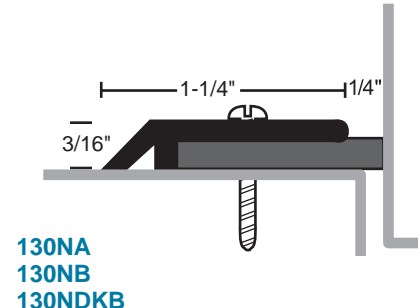
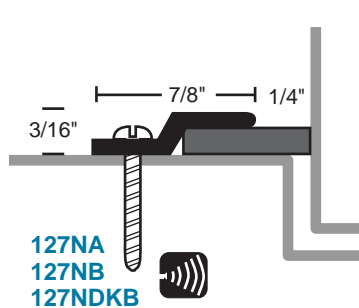
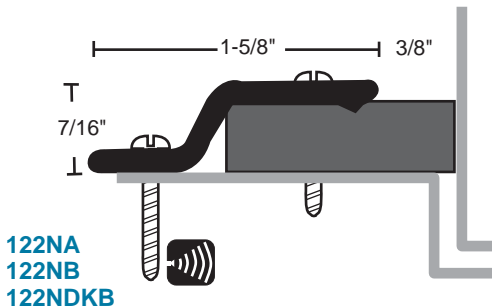
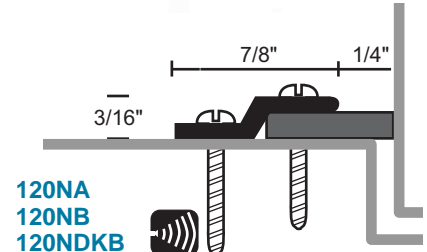
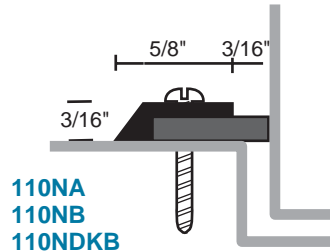
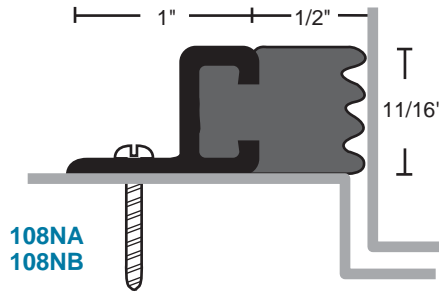
All products this page



**A** - anodized aluminum  
**B** - gold  
**DKB** - dark bronze  
neoprene is black



### Closed Cell Sponge



# Neoprene Bulb Seals

Properties:

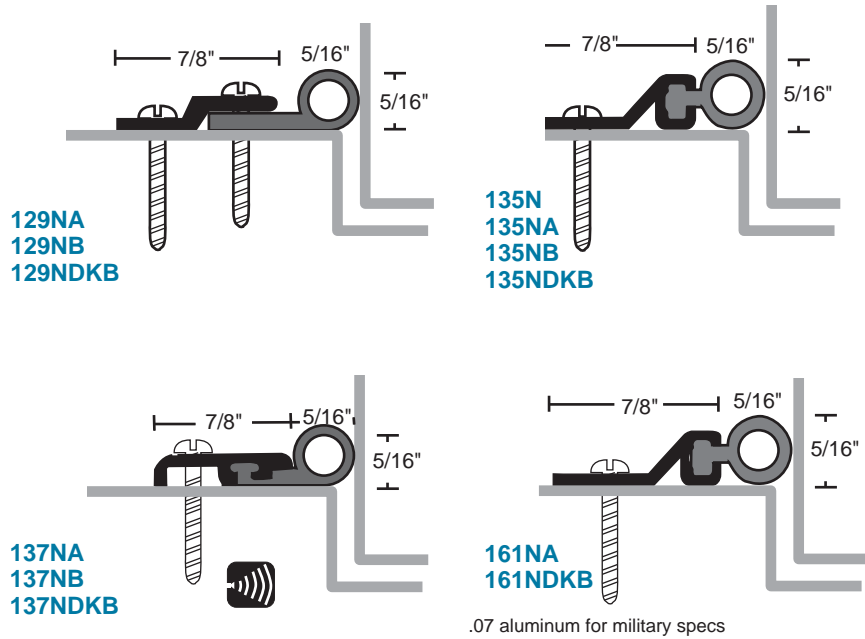
- Synthetic rubber polymer blend: Chloroprene and EPDM
- Very good abrasion resistance, tensile strength and memory
- Flame resistant
- Moisture resistant
- Temperature range -20°F to 200°F
- Good resistance to ozone, sunlight and aging
- BHMA Certified to ANSI/BHMA A156.22 performance tests for Heat and Cold

#6 x 3/4" Stainless Steel Sheet Metal Screws furnished  
Screw holes slotted for adjustment

All neoprene seals this section



## Dense Bulbs

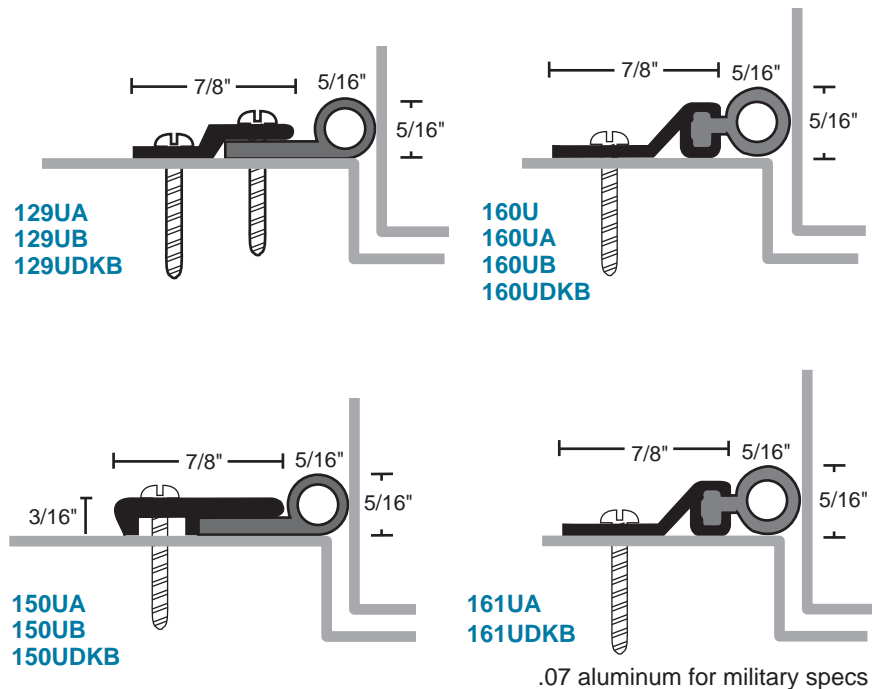


# Polyurethane Seals

Properties:

- Very good abrasion resistance, tensile strength, memory and UV resistance
- Flame resistant
- Moisture resistant
- Temperature range -65°F to 175°F

#6 x 3/4" Stainless Steel Sheet Metal Screws furnished  
Screw holes slotted for adjustment



All polyurethane seals this section



- A - anodized aluminum
- B - gold
- DKB - dark bronze
- no suffix - mill aluminum
- neoprene is black
- polyurethane is black

## Silicone Seals

### Properties:

- Synthetic rubber polymer: Siloxane closed cell sponge
- Excellent flexibility and memory
- Flame resistant
- Moisture resistant
- Temperature range -100°F to 500°F, remains flexible at extreme temperatures
- Excellent resistance to ozone, UV and aging
- Recommended for areas using FM200 or Halon Fire Suppression Systems
- BHMA Certified to ANSI/BHMA A156.22 performance tests for Heat and Cold

#6 x 3/4" Stainless Steel Sheet Metal Screws furnished  
Screw holes slotted for adjustment

All products this page



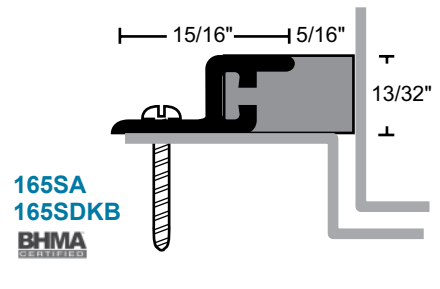
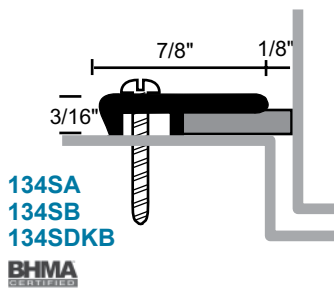
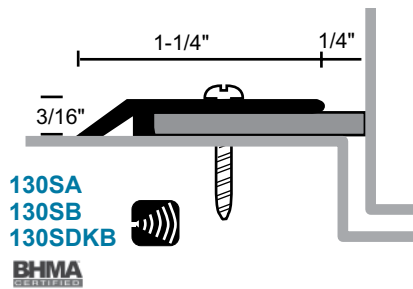
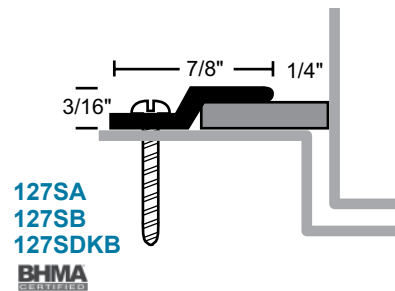
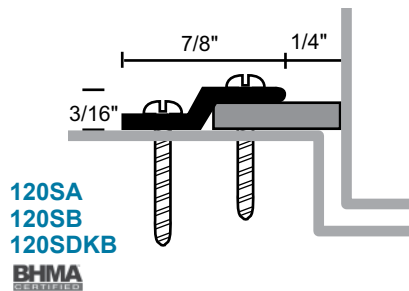
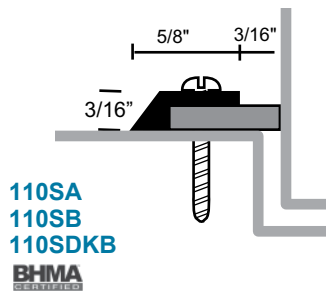
**A** - anodized aluminum

**B** - gold

**DKB** - dark bronze

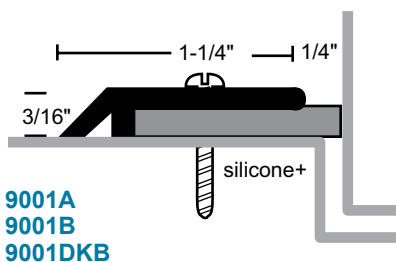
**no suffix** - mill aluminum  
silicone sponge is gray

### Closed Cell Sponge

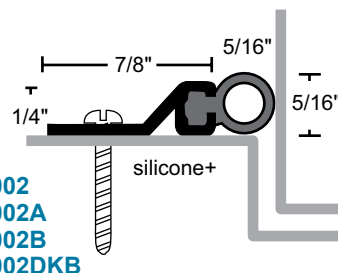


## Silicone Plus

Specially formulated to withstand greater temperature extremes while providing maximum protection against air infiltration.



Silicone Plus gasket material is dark gray



Silicone Plus gasket material is tan



# Silicone Seals

**Properties:**

- Synthetic rubber polymer: Siloxane
- Excellent flexibility and memory
- Flame resistant
- Moisture resistant
- Temperature range -100°F to 500°F, remains flexible at extreme temperatures
- Excellent resistance to ozone, UV and aging
- Recommended for areas using FM200 or Halon Fire Suppression Systems
- BHMA Certified to ANSI/BHMA A156.22 performance tests for Heat, Cold, Air Infiltration and Smoke Infiltration

#6 x 3/4" Stainless Steel Sheet Metal Screws furnished  
Screw holes slotted for adjustment

All silicone seals this section



**A** - anodized aluminum

**B** - gold

**DKB** - dark bronze

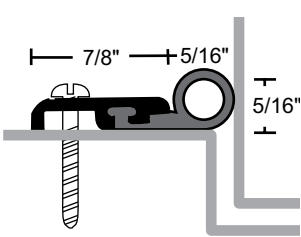
**no suffix** - mill aluminum

dense silicone is black

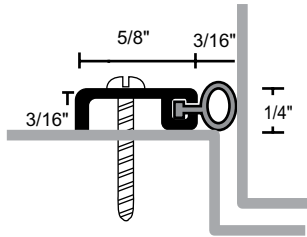
exception: 137 silicone is gray



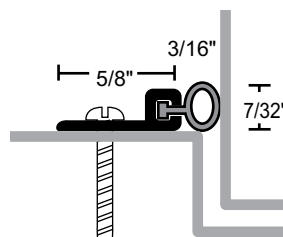
## Dense Bulbs



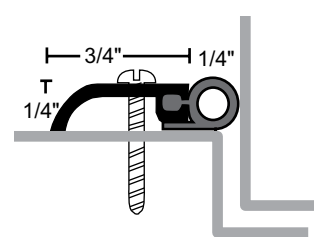
**137SA**  
**137SB**  
**137SDKB**



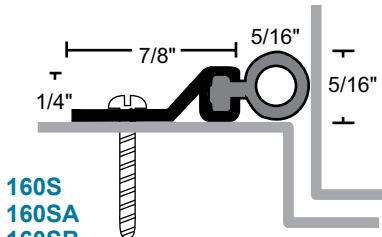
**152S**  
**152SA**  
**152SB**  
**152SDKB**



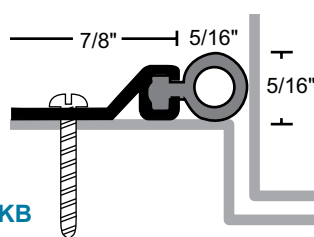
**155S**  
**155SB**  
**155SDKB**



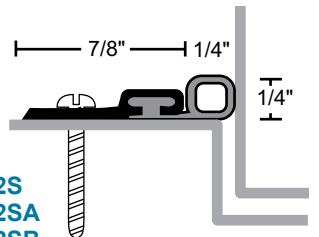
**156S**  
**156SDKB**



**160S**  
**160SA**  
**160SB**  
**160SDKB**



**161SA**  
**161SDKB**  
.07 aluminum for military specs

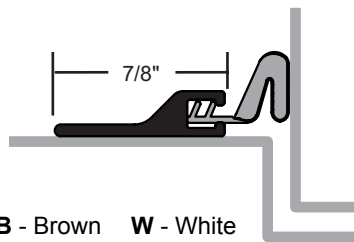


**162S**  
**162SA**  
**162SB**  
**162SDKB**

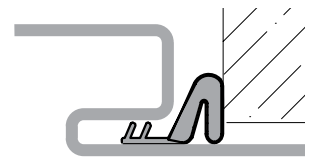
## Foam Seals

**Features:**

- Seamless compression seals are nearly 100% closed cell to prevent water from penetrating foam cell structure
- Extruded skin provides a unique UV resistant barrier with design features that enhance the weather strip's sealing performance
- Compression: Recommended = 25% Minimum = 10% Maximum = 50%
- Achieves AAMA 702 Class "A" Extra High Performance Certification



**B** - Brown    **W** - White  
**384B**        **384W**  
**384BA**      **384WA**  
**384BB**      **384WB**  
**384BDKB**   **384WDKB**



**388B** - Brown  
**388W** - White

.355 kerf mount foam profile designed to fit a kerf slot with a width of .105" and minimum depth of .250.

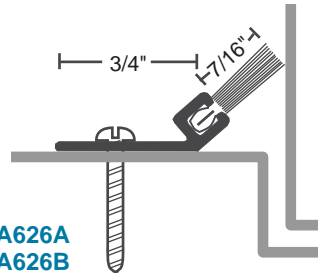
## Nylon Brush Seals

**Properties:**

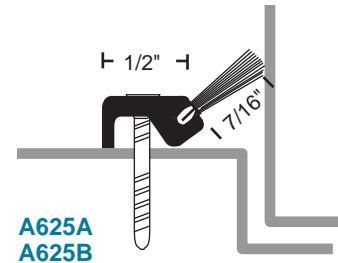
- Synthetic polymer: Polyamide
- Excellent abrasion resistance, flexibility and memory
- Moisture resistant
- Retains insecticides well
- Temperature range -70°F to 425°F
- BHMA Certified to ANSI/BHMA A156.22 performance tests for Heat, Cold, Air Infiltration and Smoke Infiltration in most common profiles as indicated by BHMA Certified symbol
- REACH and RoHS compliant
- Not effective against water penetration

#6 x 3/4" Stainless Steel Sheet Metal Screws furnished  
Screw holes slotted for adjustment

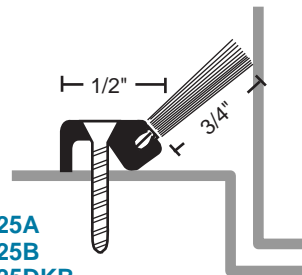
**A** - anodized aluminum with gray brush  
**B** - gold with black brush  
**DKB** - dark bronze with black brush  
**no suffix** - mill aluminum with gray brush



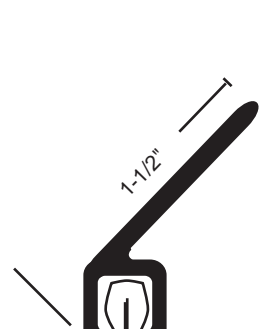
**A626A**  
**A626B**  
**A626DKB**



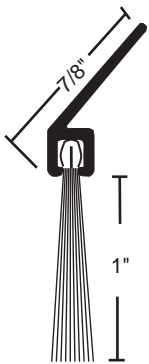
**A625A**  
**A625B**  
**A625DKB**



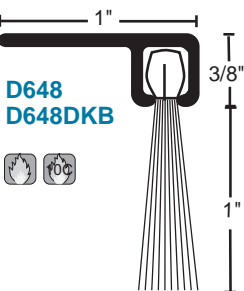
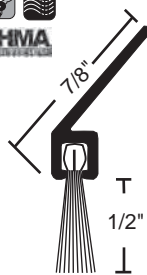
**F625A**  
**F625B**  
**F625DKB**



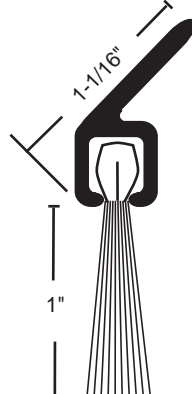
**603A**  
**603DKB**



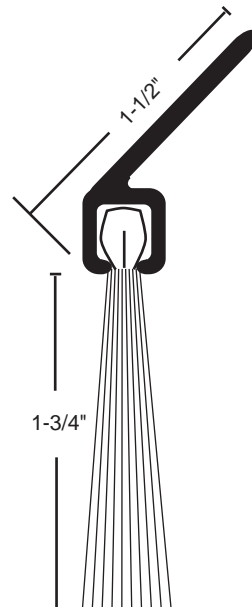
**602A**  
**602DKB**



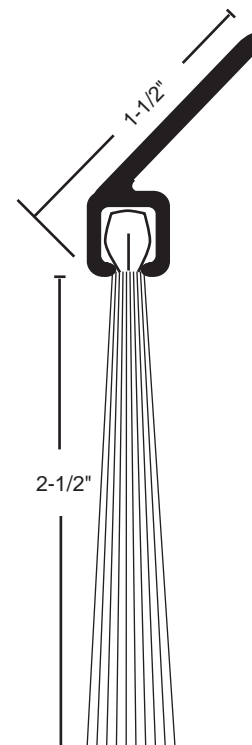
**D648**  
**D648DKB**



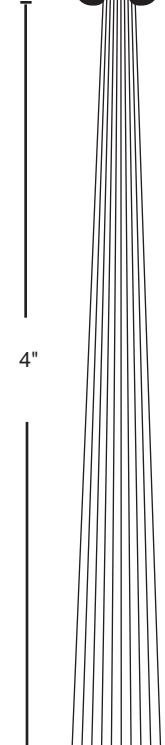
**D620A**  
**D620B**  
**D620DKB**



**G622A**  
**G622DKB**



**H623A**  
**H623DKB**



**I-624A**  
**I-624DKB**

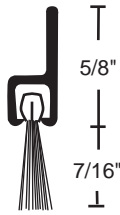


\* up to 3 hours metal doors,  
1 hour wood doors.

# Nylon Brush Seals



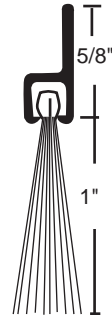
#6 x 3/4" Stainless Steel Sheet Metal Screws furnished. Screw holes slotted for adjustment.



**A605A**  
**A605B**  
**A605DKB**



**OV634A**  
**OV634B**  
**OV634DKB**



**OV633A**  
**OV633B**  
**OV633DKB**



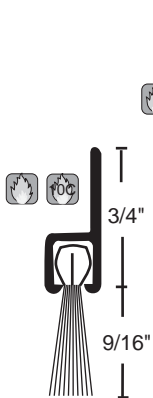
**B606A**  
**B606B**  
**B606DKB**



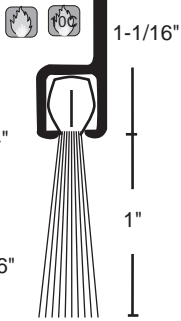
**600**  
**600A**  
**600B**  
**600DKB**



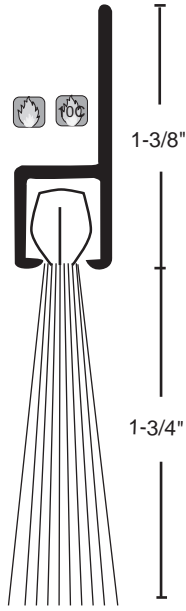
**601**  
**601A**  
**601B**  
**601DKB**



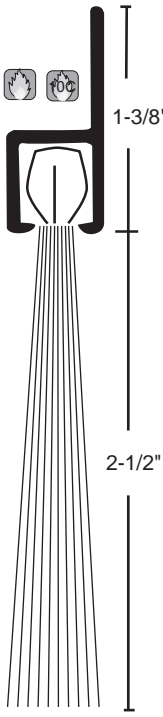
**C607A**  
**C607B**  
**C607DKB**



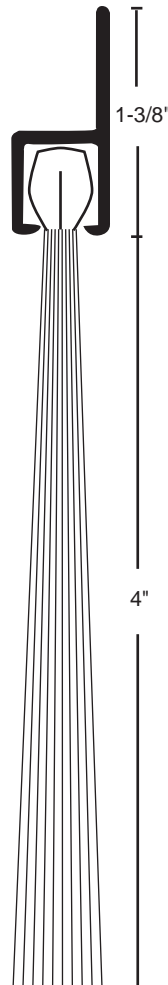
**D608A**  
**D608B**  
**D608DKB**



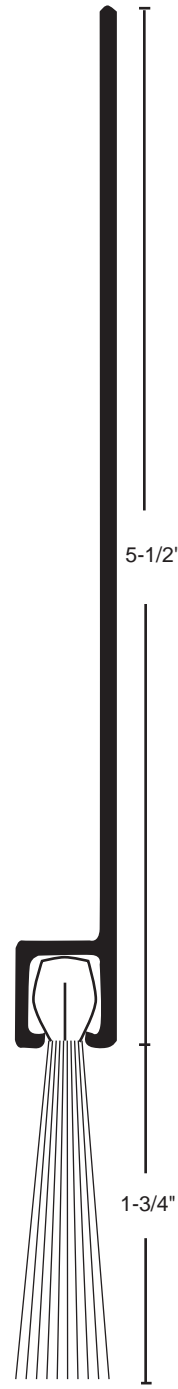
**G610A**  
**G610B**  
**G610DKB**



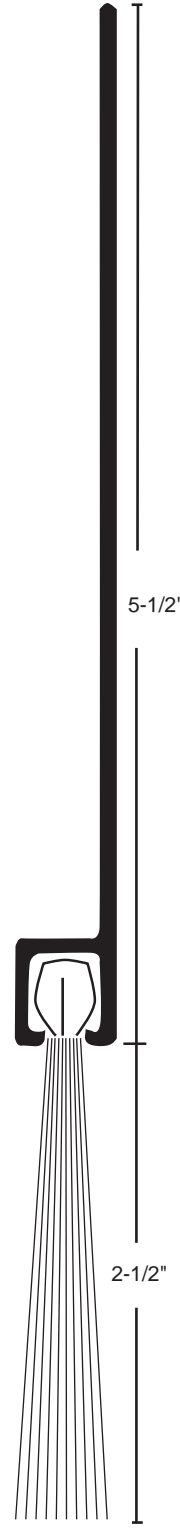
**H612A**  
**H612B**  
**H612DKB**



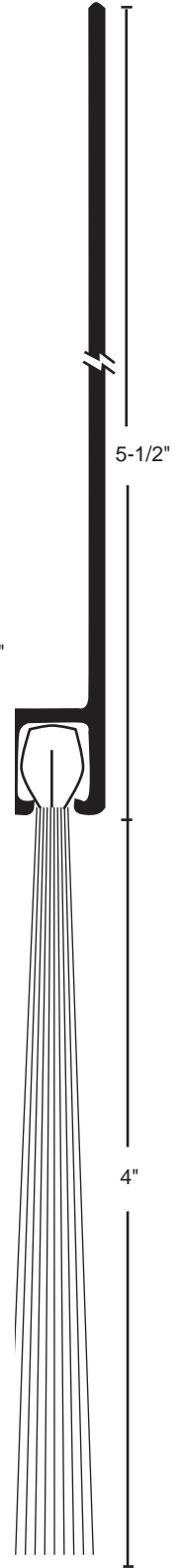
**I-615A**  
**I-615B**  
**I-615DKB**



**G611A**  
**G611DKB**

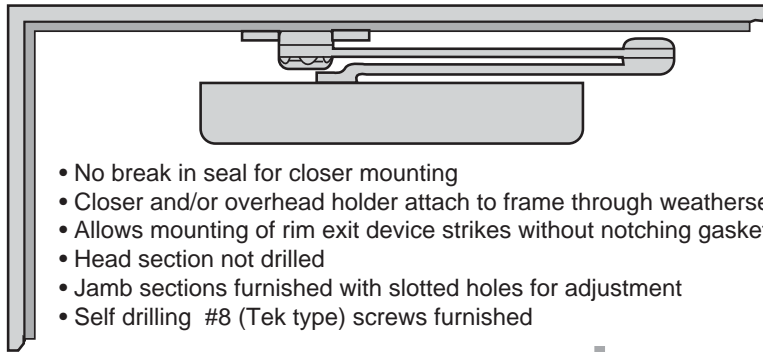


**H614A**  
**H614DKB**



**I-616A**  
**I-616DKB**

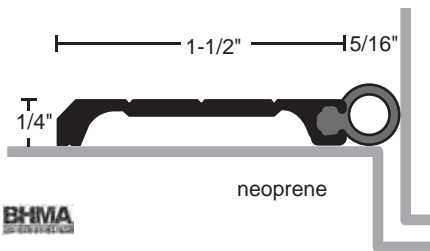
## Perimeter Seals Compatible with Parallel Arm Closers



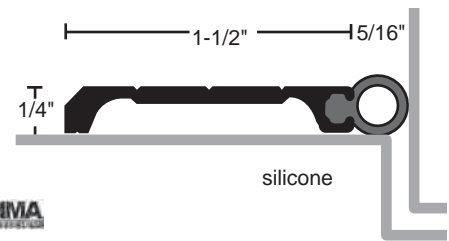
- No break in seal for closer mounting
- Closer and/or overhead holder attach to frame through weatherseal section. Install seal first
- Allows mounting of rim exit device strikes without notching gasketing
- Head section not drilled
- Jamb sections furnished with slotted holes for adjustment
- Self drilling #8 (Tek type) screws furnished

A - anodized aluminum  
B - gold  
DKB - dark bronze  
no suffix - mill aluminum  
vinyl & pile are gray  
neoprene, silicone, & polyurethane are black, silicone+ is tan

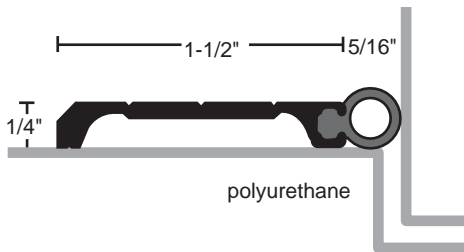
**700EN**  
**700ENDKB**



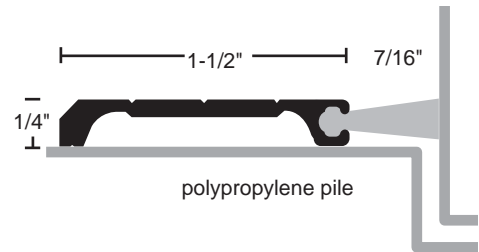
**700ES**  
**700ESDKB**



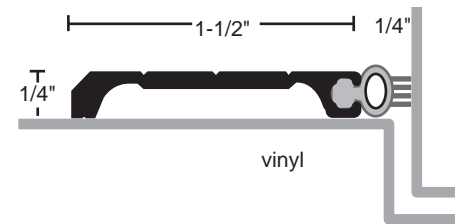
**700EU**  
**700EUDKB**



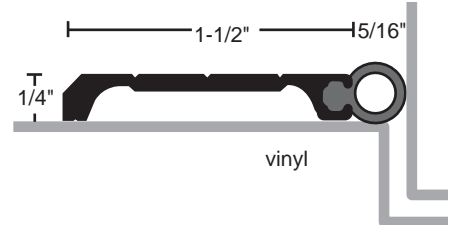
**701EP**  
**701EPDKB**



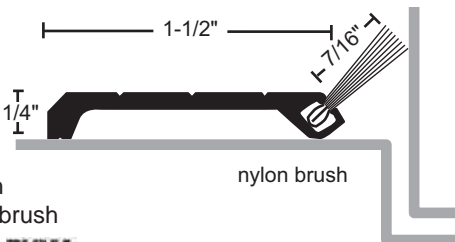
**704EV**  
**704EVDKB**



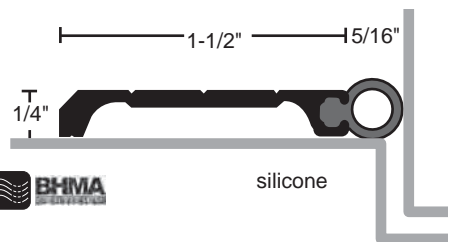
**705EV**  
**705EVDKB**



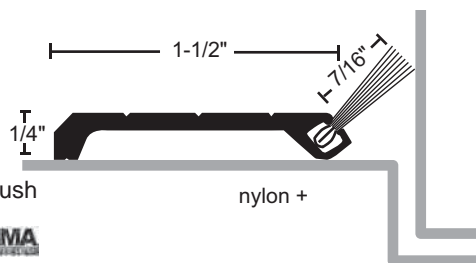
**706E** - gray brush  
**706EDKB** - black brush



**9700E**  
**9700EDKB**

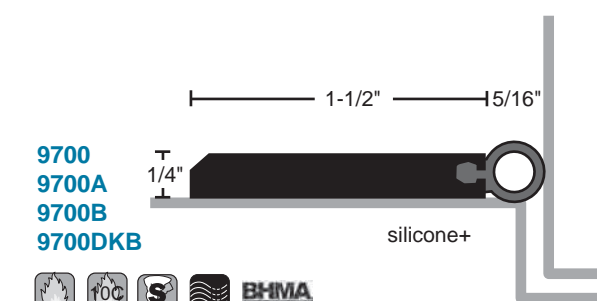
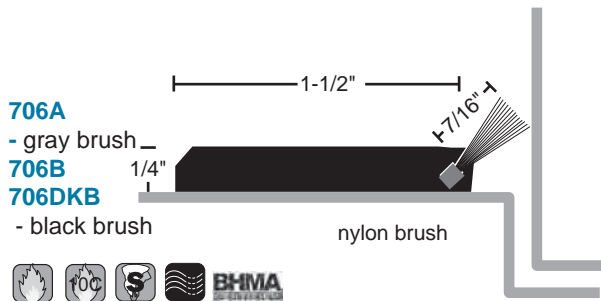
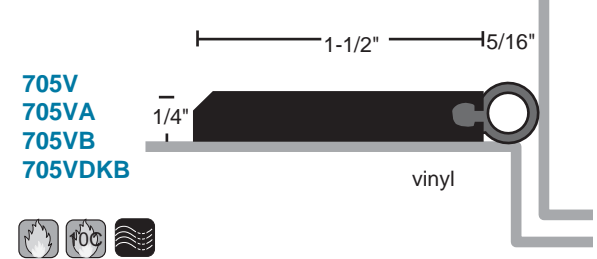
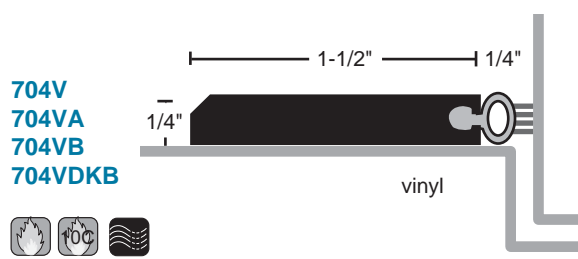
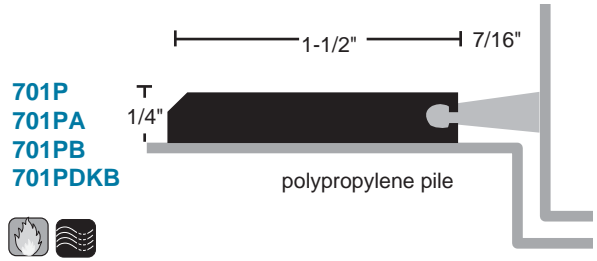
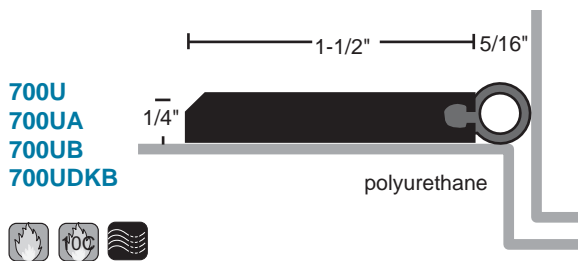
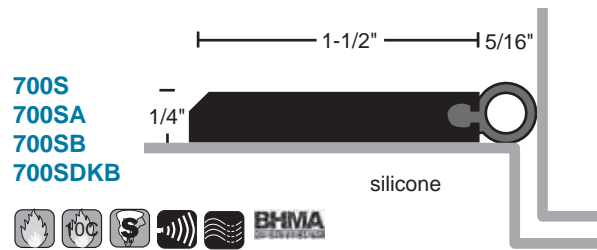
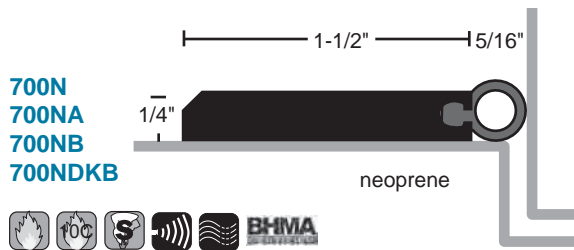


**9706E** - gray brush  
**9706EDKB** - black brush



## Perimeter Seals Compatible with Parallel Arm Closers

Profiles on this page may be cut to fit narrow frame stops at additional charge. Specify "cut to width" on order.



## Concealed Fastener Seals

Snap-on cover conceals screw heads for clean appearance

#6 x 3/4" Stainless Steel Sheet Metal Screws furnished  
Screw holes slotted for adjustment

**A** - anodized aluminum

**B** - gold

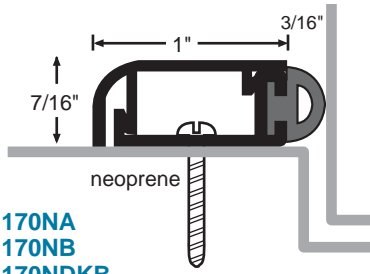
**DKB** - dark bronze

vinyl & pile are gray

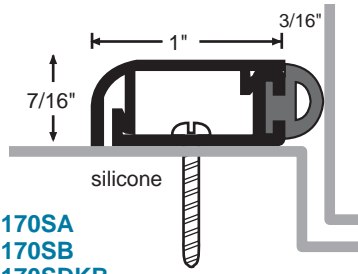
\*vinyl is black

neoprene, NGP-TPV & silicone are black

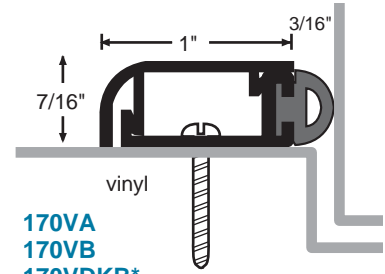
nylon brush is gray with anodized aluminum metal; black with gold and DKB metal



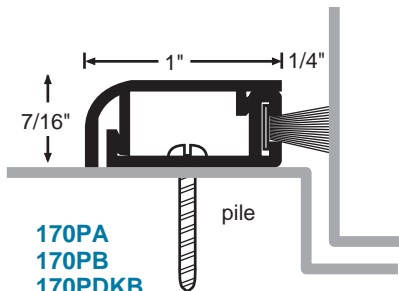
**170NA**  
**170NB**  
**170NDKB**



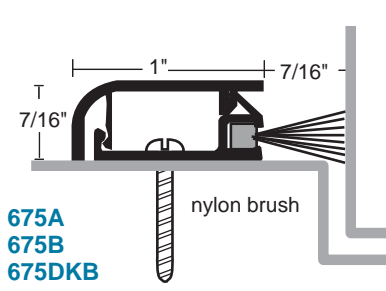
**170SA**  
**170SB**  
**170SDKB**



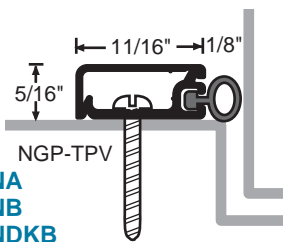
**170VA**  
**170VB**  
**170VDKB\***



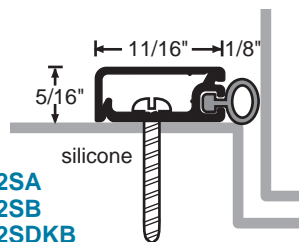
**170PA**  
**170PB**  
**170PDKB**



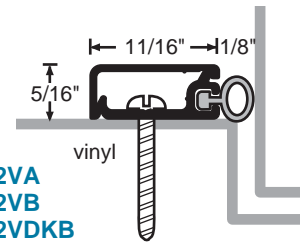
**675A**  
**675B**  
**675DKB**



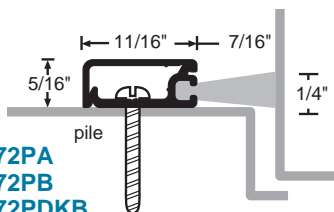
**172NA**  
**172NB**  
**172NDKB**



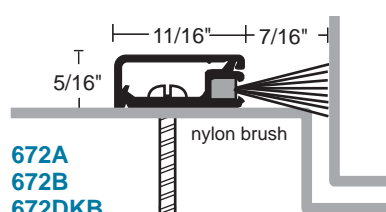
**172SA**  
**172SB**  
**172SDKB**



**172VA**  
**172VB**  
**172VDKB**



**672PA**  
**672PB**  
**672PDKB**



**672A**  
**672B**  
**672DKB**



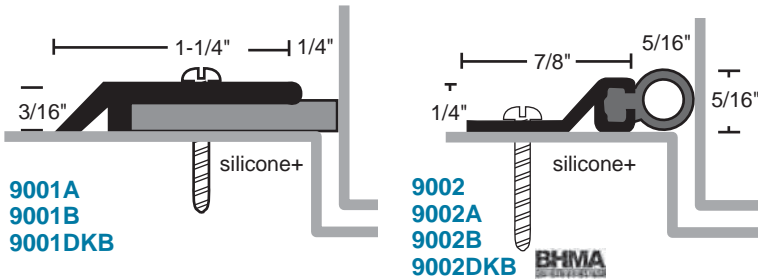
# Allseal® Gasketing

Our exclusive line of premium grade seals specially formulated to withstand greater temperature extremes while providing maximum protection against air infiltration.

All products this page



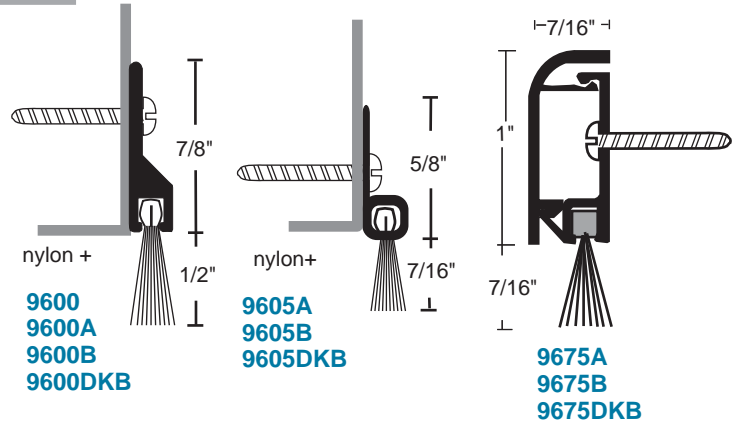
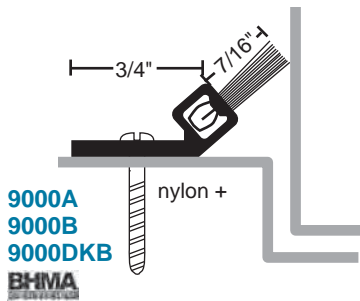
## Perimeter Seals



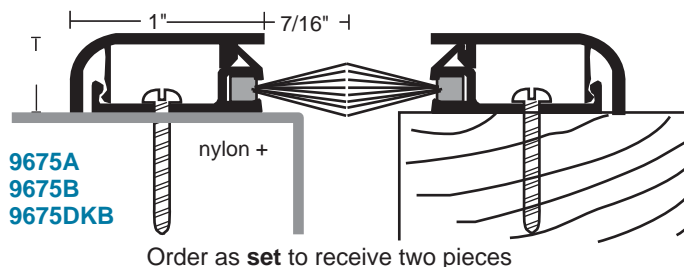
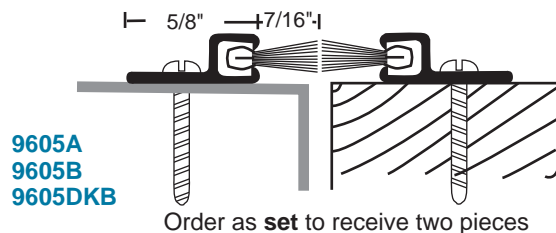
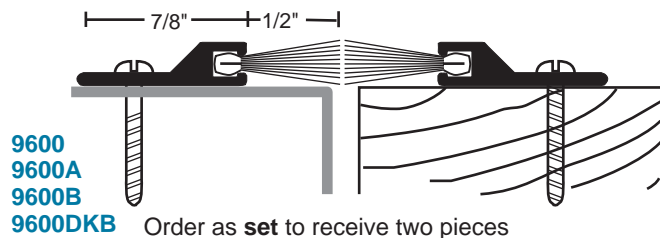
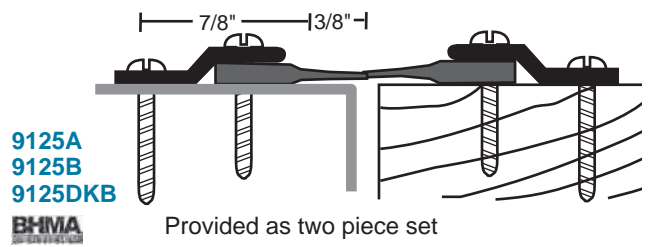
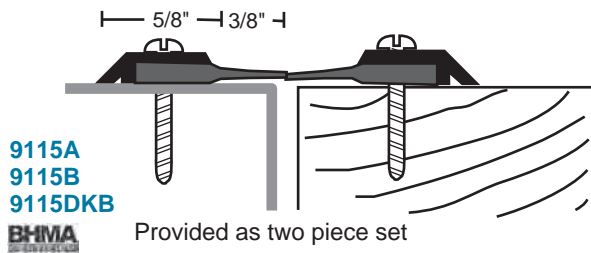
Metal	nylon+	silicone +
<b>A</b> - anodized aluminum	gray	tan
<b>B</b> - gold	black	tan
<b>DKB</b> - dark bronze	black	tan
<b>no suffix</b> - mill aluminum	gray	tan

#6 x 3/4" Stainless Steel Sheet Metal Screws furnished  
Screw holes slotted for adjustment

## Perimeter Seals or Sweeps



## Astragal Seals



## Stainless Steel

Stainless steel type 304 brushed #4 finish (US32D, 630)

Neoprene & polyurethane are black, epdm & silicone are gray, silicone+ is tan

#6 X 3/4 stainless steel SMS furnished

Screw holes slotted for adjustment

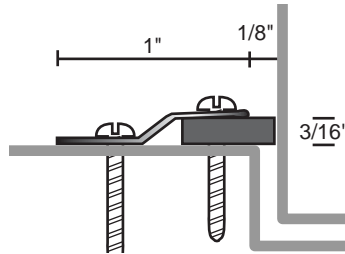
All perimeter seals this section



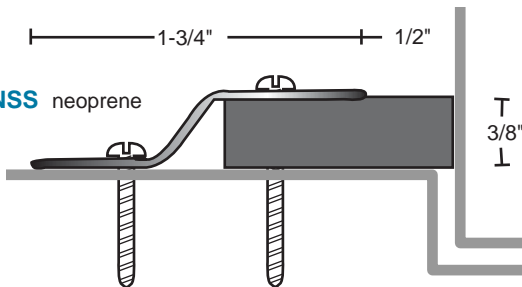
(Exception: 129USS not smoke rated and not BHMA certified)

### Perimeter Seals

**120NSS** neoprene  
**120SSS** silicone

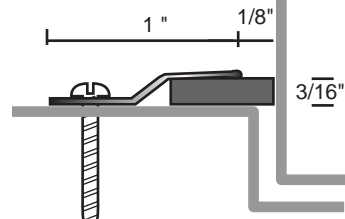


**122NSS** neoprene

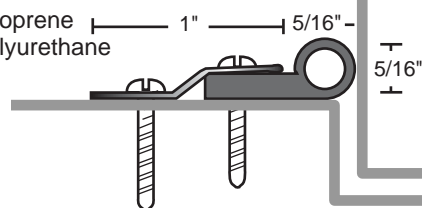


#6 X 3/4" and #6 x 1" stainless steel SMS furnished

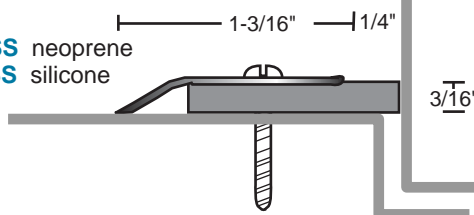
**127NSS** neoprene  
**127SSS** silicone



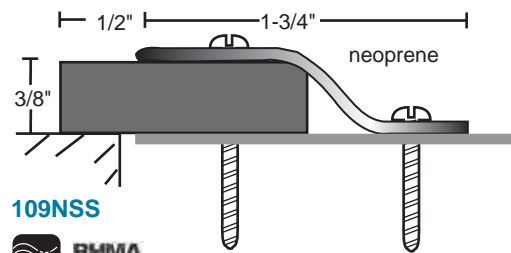
**129NSS** neoprene  
**129USS** polyurethane



**130NSS** neoprene  
**130SSS** silicone



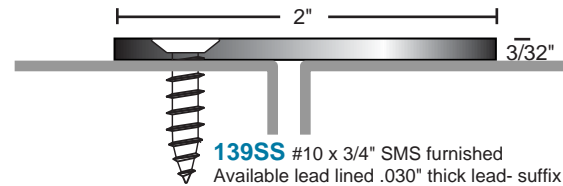
### Astragal Seals



**109NSS**

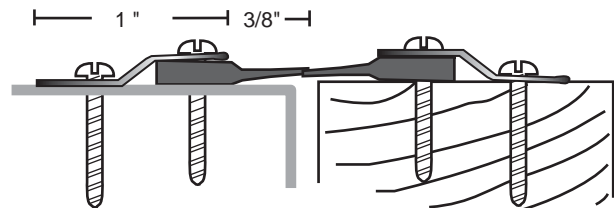


#6 X 3/4" and #6 x 1" stainless steel SMS furnished



**139SS** #10 x 3/4" SMS furnished

Available lead lined .030" thick lead- suffix "LD"



**125NSS** epdm  
**9125SS** silicone+



Provided as two piece set



# Stainless Steel

Stainless steel type 304 brushed #4 finish (US32D, 630)

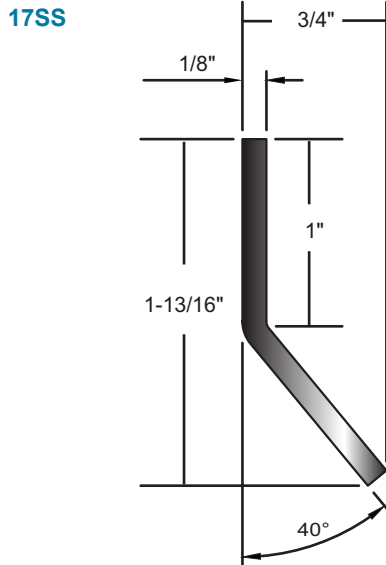
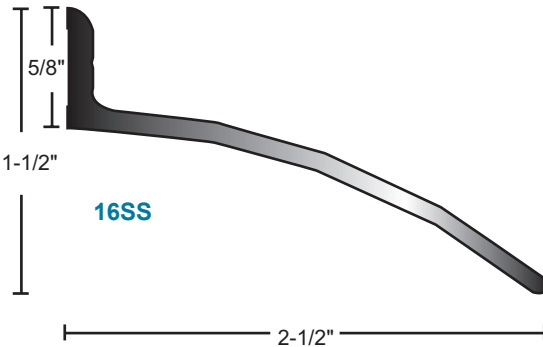
Neoprene & polyurethane are black, silicone and nylon brush are gray

#6 X 3/4" stainless steel SMS furnished  
Screw holes slotted for adjustment

All automatic door bottoms this section



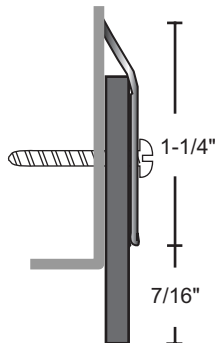
## Rain Drip Guard



## Door Sweep

**200NSS** neoprene **BHMA CERTIFIED**

**200SSS** silicone **BHMA CERTIFIED**

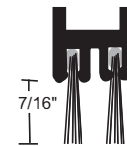


## Automatic Door Bottom

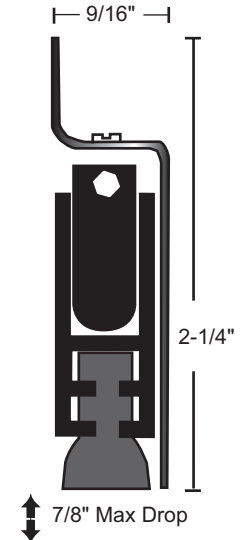
neoprene (1, 2)  
**221NSS**  
**BHMA CERTIFIED**

silicone (1, 2, 3)  
**221SSS**  
**BHMA CERTIFIED**

nylon brush (2)  
**221WHSS**



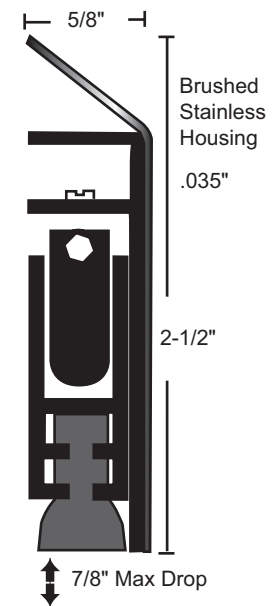
Drop Bar with Nylon Brush - suffix "WH"



neoprene (1, 2)  
**229NSS**  
**BHMA CERTIFIED**

silicone (1, 2, 3)  
**229SSS**  
**BHMA CERTIFIED**

nylon brush (2)  
**229WHSS**



1. Lead insert available for radiation shield - specify "lead-lined".
2. Door bottom is handed. Right hand supplied unless specified. Units under 36" not field reversible. Please specify handing.
3. BHMA certified to ANSI/BHMA A156.22, 1,000,000 cycle test-grade 1.

## Architectural Bronze

Architectural bronze satin finish (728), similar to US4  
 Optional finishes: Polished (721), suffix "POL"  
 Dark Oxidized oil rubbed (722) similar to US10B, suffix DKB

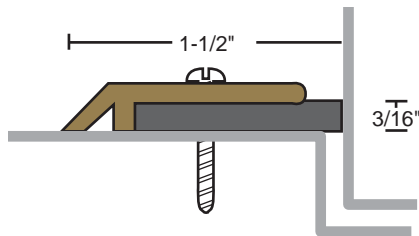
neoprene is black  
 silicone is gray  
 #6 x 3/4" brass plated SMS furnished  
 screw holes slotted for adjustment

## Perimeter Seals

**130NBR** neoprene  
**130SBR** silicone



**BHMA**  
2015-2019



# Architectural Bronze

Architectural bronze satin finish (728), similar to US4  
 Optional finishes: Polished (721), suffix "POL"  
 Dark Oxidized oil rubbed (722) similar to US10B, suffix DKB

neoprene, polyurethane & nylon brush are black  
 silicone is gray

#6 x 3/4" brass plated SMS furnished  
 screw holes slotted for adjustment

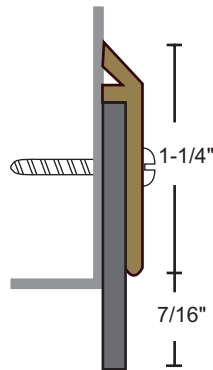
## Door Sweep



**200NBR**  
neoprene



**200SBR**  
silicone



## Automatic Door Bottoms

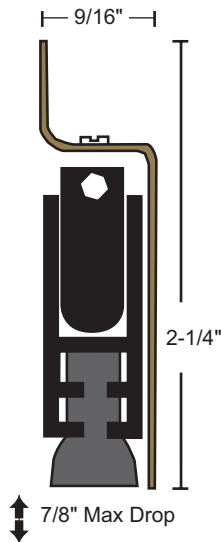
All automatic door bottoms this section



neoprene (1, 2, 3)  
**221NBR** BHMA Certified

silicone (1, 2, 3)  
**221SBR** BHMA Certified

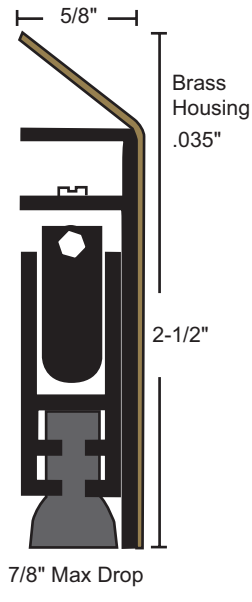
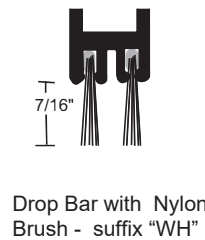
nylon brush (2)  
**221WHBR**



neoprene (1, 2, 3)  
**229NBR** BHMA Certified

silicone (1, 2, 3)  
**229SBR** BHMA Certified

nylon brush (2)  
**229WHBR**



1. Lead insert available for radiation shield - specify "lead-lined".
2. Door bottom is handed. Right hand supplied unless specified. Units under 36" not field reversible. Please specify handing.
3. BHMA certified to ANSI/BHMA A156.22, 1,000,000 cycle test-grade 1.

## Adjustable Perimeter Seals

- Adjustment screws on 10" centers allow adjustment without re-positioning mounting location

#6 x 3/4" or #6 x 1-1/2" Stainless Steel SMS furnished

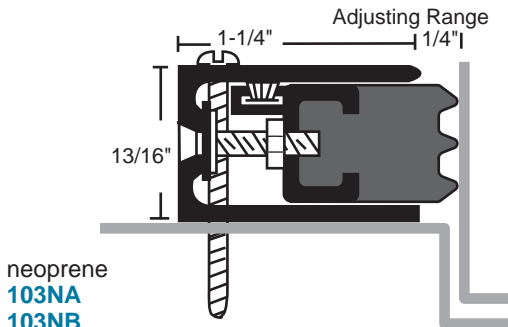
**A** - anodized aluminum

**B** - gold

**DKB** - dark bronze

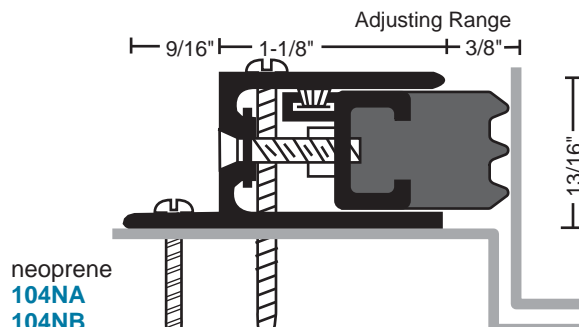
Neoprene & 106 silicone are black

107 silicone is gray

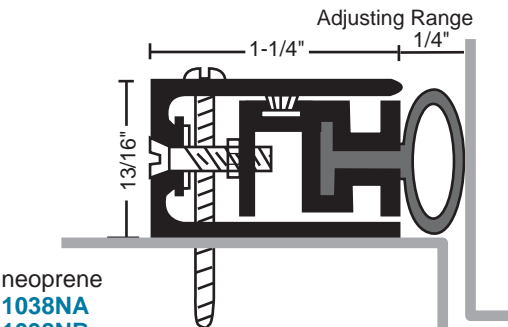


neoprene  
**103NA**  
**103NB**  
**103NDKB**

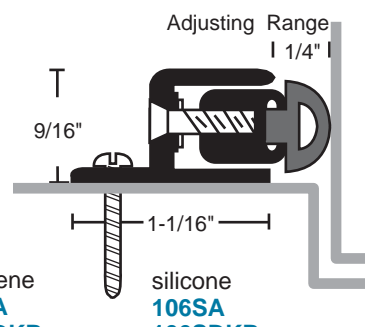
Option: Foam back seal - suffix 'FS'



neoprene  
**104NA**  
**104NB**  
**104NDKB**

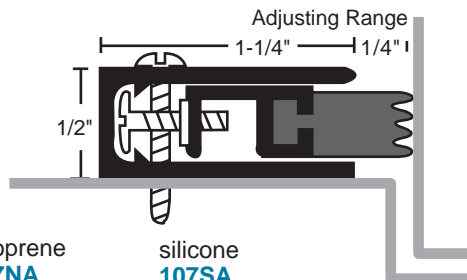


neoprene  
**1038NA**  
**1038NB**  
**1038NDKB**



neoprene  
**106NA**  
**106NDKB**

silicone  
**106SA**  
**106SDKB**



neoprene  
**107NA**  
**107NB**  
**107NDKB**

silicone  
**107SA**  
**107SB**  
**107SDKB**

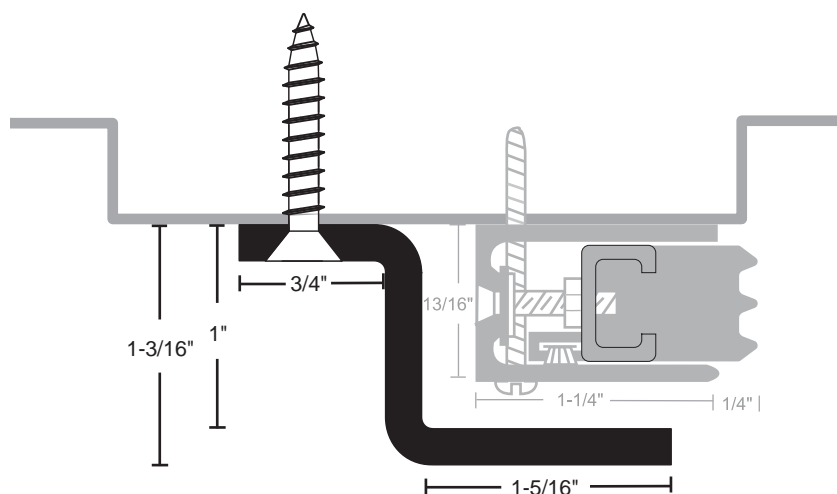
Option: Foam back seal - suffix 'FS'



## Steel Mounting Brackets

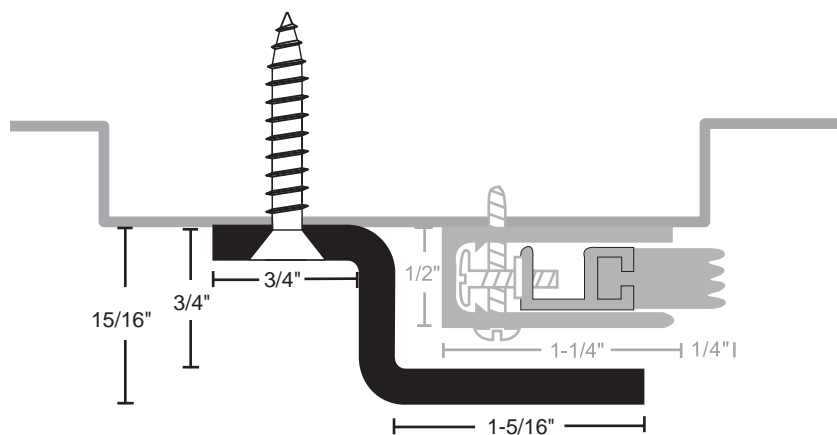
- Allows installation of door closer shoe or rim exit device strike without interruption or notching of perimeter seals
- Furnished with #12 x 1-1/4" SMS
- 3/16" thick steel
- 6" long

All products this page



Fits over 103N, 104N,  
303N, 304N, 1038N,  
3038N

**3ASL** Aluminum Silver  
**3DKB** Dark Bronze  
**3SP** Prime Coat



Fits over 106N, 107N,  
141P, 141S

**7ASL** Aluminum Silver  
**7DKB** Dark Bronze  
**7SP** Prime Coat

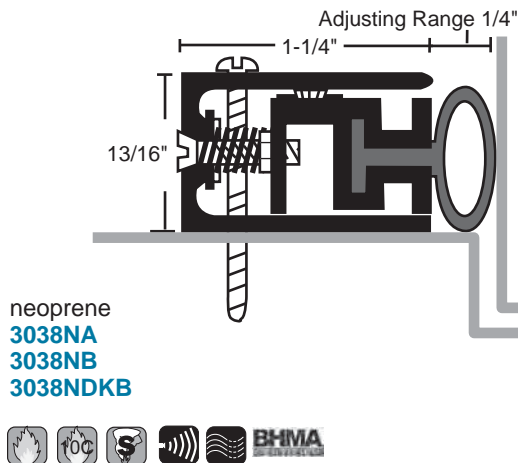
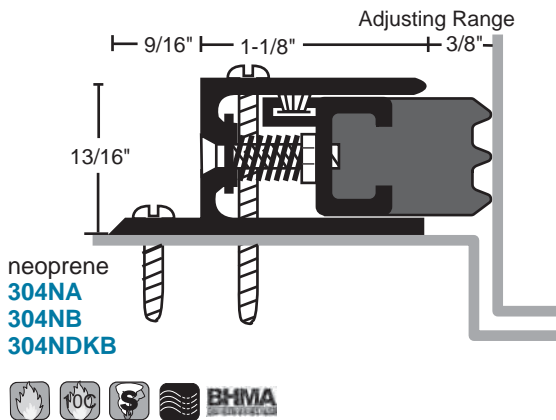
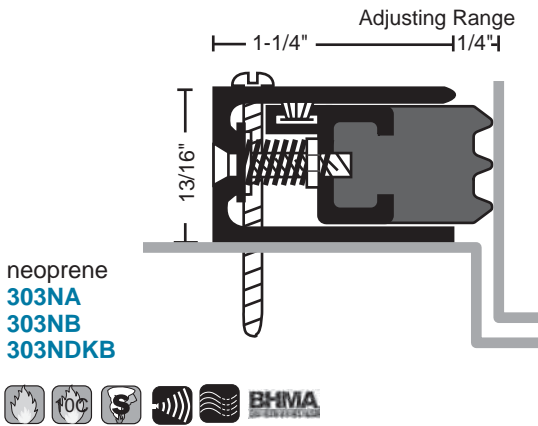
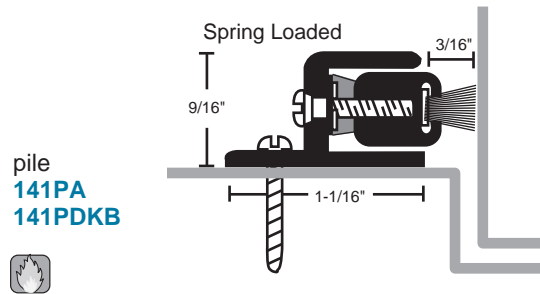
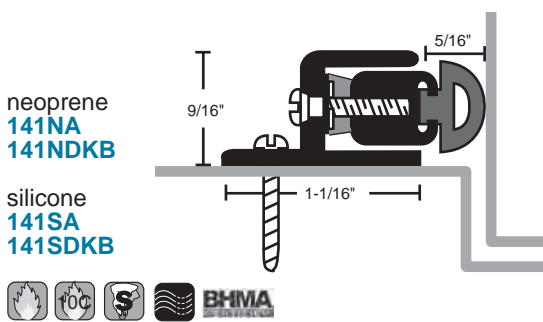
Page  
Intentionally  
Blank

# Spring Adjustable Perimeter Seals

- Adjustment screws on 10" centers allow adjustment without re-positioning mounting location
- Spring-loaded to maintain pressure for the most effective seal

#6 x 3/4" or #6 x 1-1/2" Stainless Sheet Metal Screws furnished

A - anodized aluminum  
 B - gold  
 DKB - dark bronze  
 neoprene & silicone are black  
 pile is gray



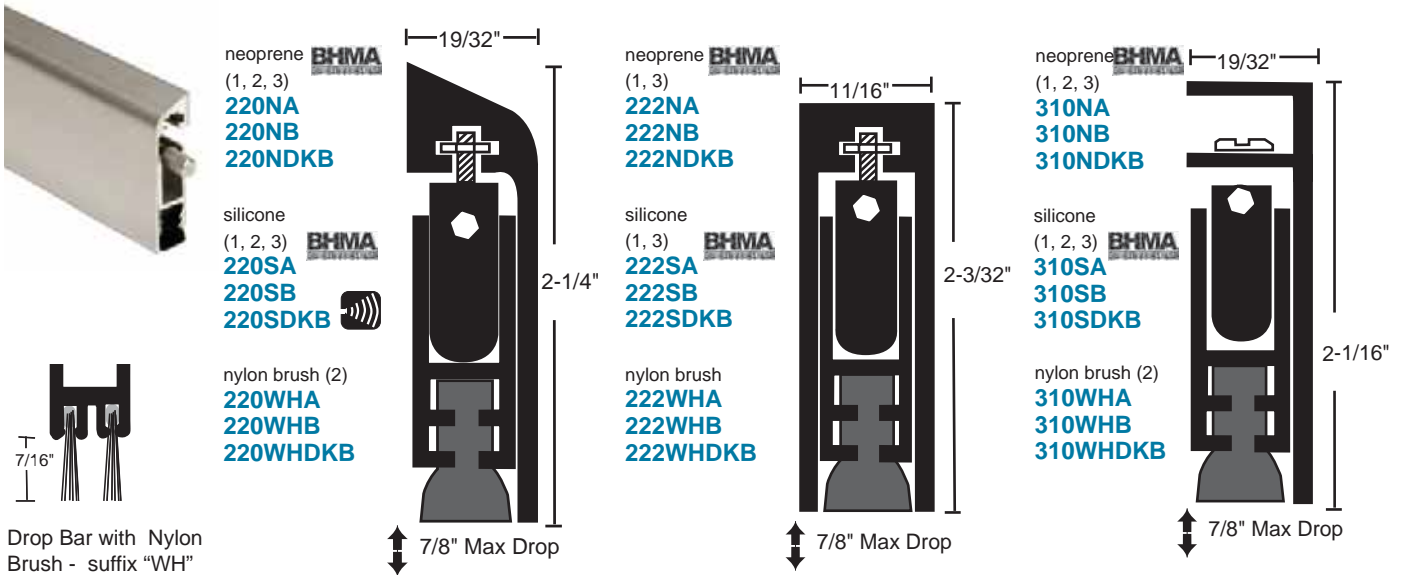
## Automatic Door Bottoms - Surface

- Mounts on push side of door
- Use with a threshold for maximum sealing capability
- Nylon brush recommended for carpet applications where no threshold is provided
- Specify exact net length required to avoid field sizing
- 36" and longer may be cut up to 4" in the field, under 36" should not be cut in the field, order net length
- Minimum length 11", maximum length 60" (except 780)
- End caps furnished standard. Models 220, 221, 229, 310 require door handing, RH supplied standard units under 36" NOT field reversible. Please specify handing

All products this page

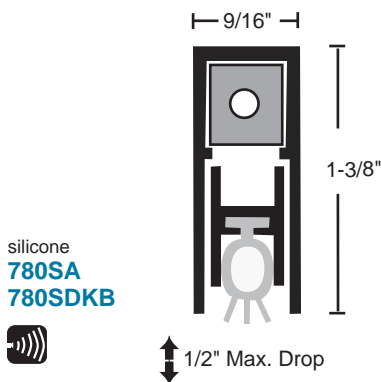


silicone is gray  
neoprene is black  
brush is gray with mill finish  
and stainless steel; black with  
gold, DKB and brass



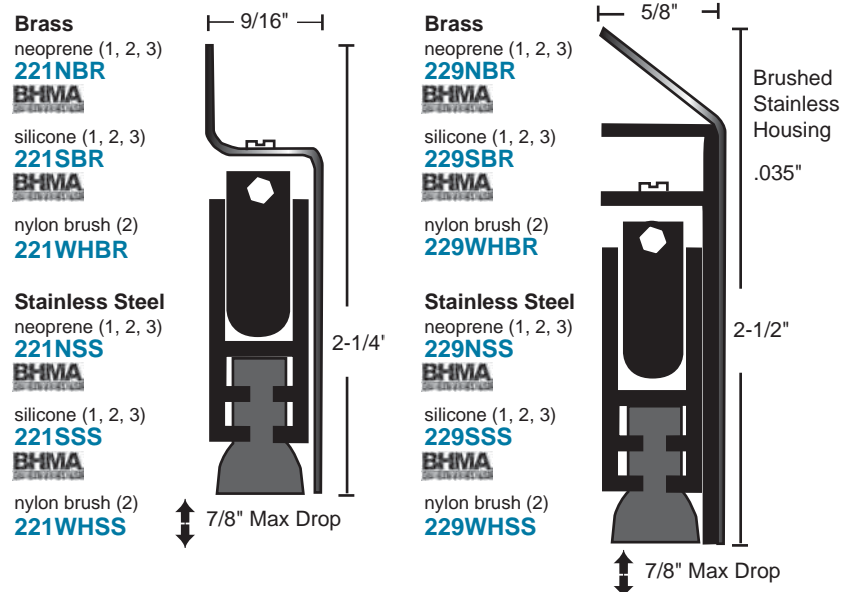
## Slimline

Endurance Tested to 5 Million Cycles



Available 23" to 96" in length  
End caps furnished standard.  
Will work half mortised on swing or sliding doors!

## Brass and Stainless Steel



1. Lead insert available for radiation shield - specify "lead-lined".
2. Door Bottom is handed. Right hand supplied unless specified. Units under 36" NOT field reversible. Please specify handing.
3. BHMA certified to ANSI/BHMA A156.22, 1,000,000 cycle test-grade 1.

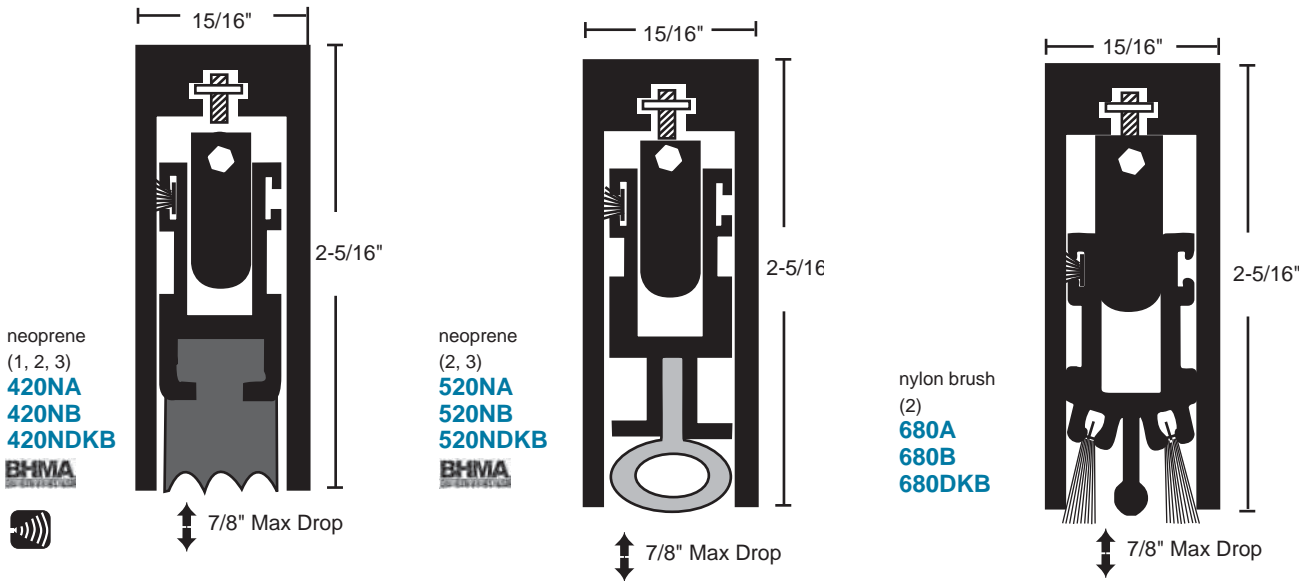
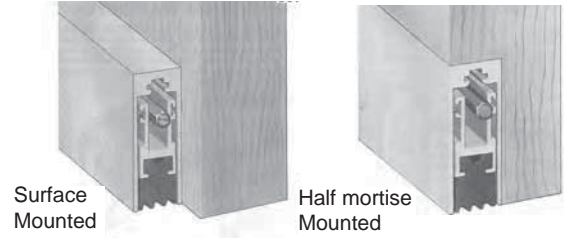


# Automatic Door Bottoms - Heavy Duty Surface

All products this page



- Mounts on push side of door
- Use with a threshold for maximum sealing capability
- Nylon brush recommended for carpet applications where no threshold is provided
- Specify exact net length required to avoid field sizing
- 36" and longer may be cut up to 4" in the field, under 36" should not be cut in the field, order net length
- Minimum length 11", maximum length 60"
- End caps furnished standard



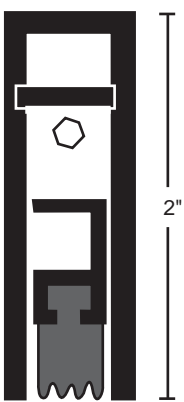
1. Lead insert available for radiation shield - specify "lead-lined".
2. For half mortise applications specify HM in item number prior to finish (ie: 420NHMDKB).
3. BHMA certified to ANSI/BHMA A156.22, 1,000,000 cycle test-grade 1.

# Sliding or Pocket Doors Surface or Half Mortise - Heavy Duty

## E-Z Touch

**SURFACE**

5/8"



3/4" Max Drop

neoprene	silicone
<b>223NA</b>	<b>223SA</b>
<b>223NB</b>	<b>223SB</b>
<b>223NDKB</b>	<b>223SDKB</b>

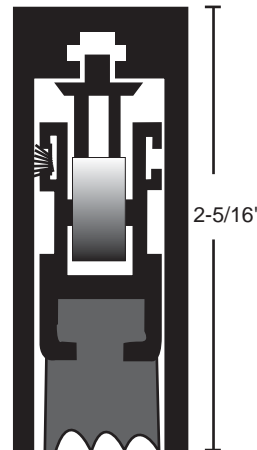
The EZ-Touch door bottom requires only 3 to 5 pounds of pressure to activate.

Perfect for accessibility applications and still provides an effective seal.

Available 23-1/4" net to 48" in length.

End caps furnished standard

15/16"



7/8" Max Drop

neoprene (1)  
**421NA**  
**421NB**  
**421NDKB**

Designed for use on sliding or pocket doors. A series of actuating bars keep the seal parallel to the sill or threshold until the door is in the closed position.

Available 11" to 144" in length.

End caps not available

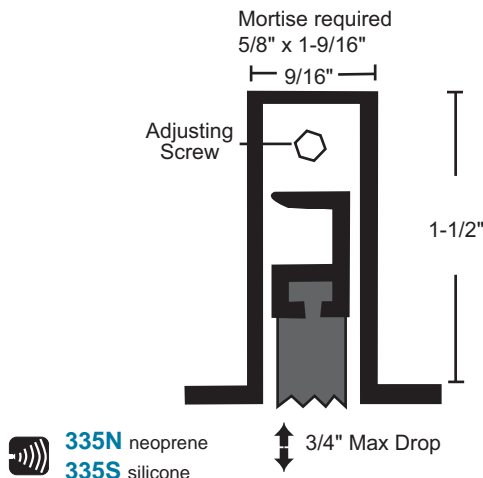
## Automatic Door Bottoms - Mortise

- Use with a threshold for maximum sealing capability
- Nylon brush recommended for carpet applications where no threshold is provided
- Specify exact net length required to avoid field sizing
- 36" and longer may be cut up to 4" in the field.  
Under 36" should not be cut in the field, order net length
- 36" and longer are furnished 1/2" shorter than ordered to fit within net door size.  
(i.e. 36" is furnished 35-1/2")
- End caps furnished standard

All products this page



neoprene & NGP-TPV are black  
silicone, nylon brush & vinyl are gray



**335N** neoprene  
**335S** silicone

Available 23-1/4" net to 48" in length  
Fits wood fire door mortise restrictions

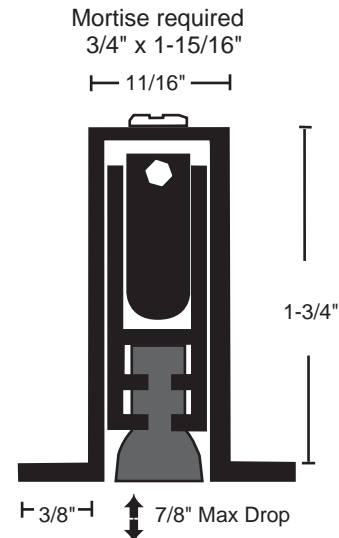
**225N** neoprene (1)  
**BHMA**  
BHMA certified to  
ANSI/BHMA A156.22,  
1,000,000 cycle test-grade 1

**225S** silicone (1)  
**BHMA**  
BHMA certified to  
ANSI/BHMA A156.22,  
1,000,000 cycle test-grade 1

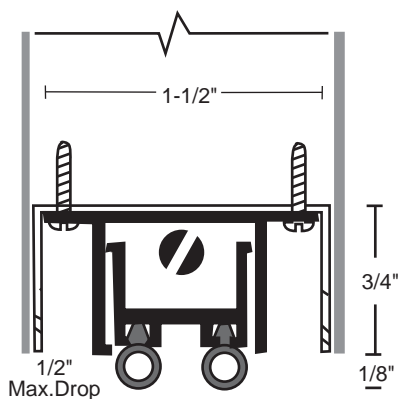
**225WH** nylon brush

Available 11" to 60" in length

1. Lead insert available for radiation shield - specify "lead-lined".



## Hollow Metal Doors



**320N** NGP-TPV

**320S** silicone

**320V** vinyl



Fits in 1-5/8" x 3/4" channel. A "furring strip" may be used to lower automatic door bottom when a deeper channel is used.

Furnished 1/2" shorter than ordered to fit within net door size.  
(i.e. 36" is furnished 35-1/2") Length may be field cut up to 4".

Fire ratings apply to metal doors only.

#4 x 5/8" SMS furnished. End caps not available.

Available 24" to 48" in length

# Automatic Door Bottoms - Heavy Duty Mortise

- Use with a threshold for maximum sealing capability
- Nylon brush recommended for carpet applications where no threshold is provided
- Anodized aluminum end caps furnished standard. DKB end caps available - please specify
- Specify exact net length required to avoid field sizing
- 36" and longer may be cut up to 4" in the field.
- Under 36" should not be cut in the field, order net length
- 36" and longer are furnished 1/2" shorter than ordered to fit within net door size. (i.e. 36" is furnished 35-1/2")

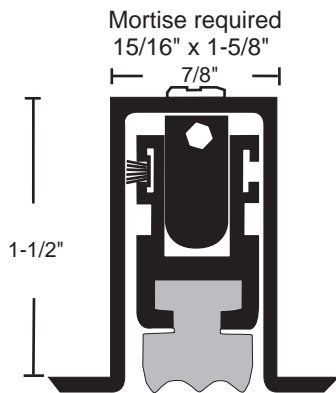
All products this section



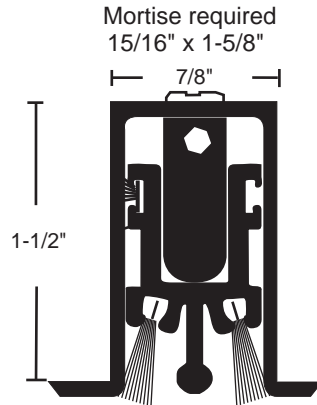
neoprene is black  
nylon brush is gray  
#4 x 5/8" SMS furnished

## Fits Wood Fire Door Mortise Restrictions

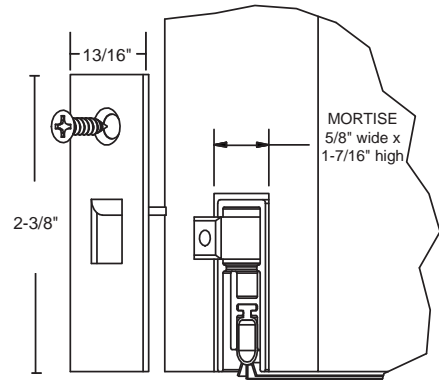
Mortise Mounted



**423N** neoprene  
BHMA certified to ANSI/BHMA A156.22, 1,000,000 cycle test-grade 1  
3/4" Max Drop



**683** nylon brush  
7/8" Max Drop  
Available 11" to 48" in length

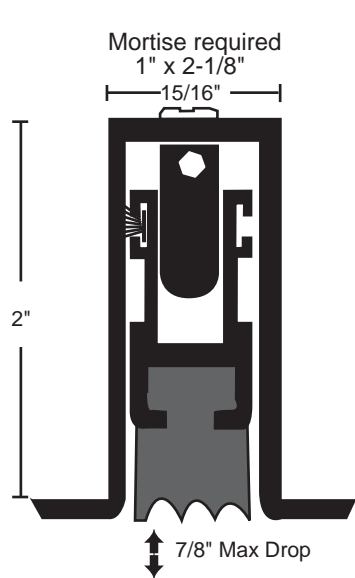


1/16" thick mortise for mounting bracket  
Max Drop 1/2"

**781S** silicone Available 23" to 96" in length

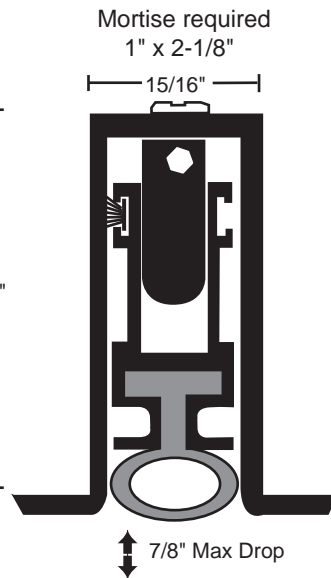
Available 11" to 48" in length  
Available with lead insert for radiation shield - Specify "lead-lined"  
BHMA certified to ANSI/BHMA A156.22, 1,000,000 cycle test-grade 1

Door Edge mounting brackets allow easy access for removal and cleaning the door bottom drop mechanism. Perfect for use in healthcare and other facilities subject to stringent standards and inspections



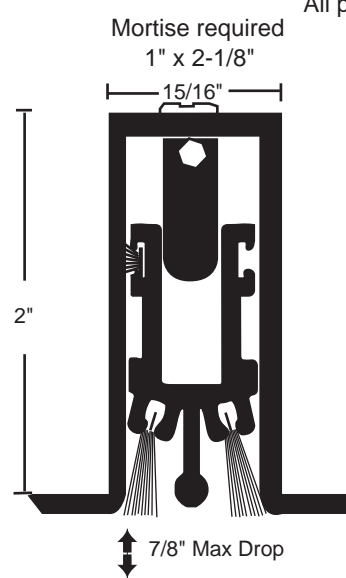
**422N** neoprene  
Available 11" to 60" in length

Available with lead insert for radiation shield - specify "lead lined"



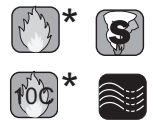
**522N** neoprene  
BHMA certified to ANSI/BHMA A156.22, 1,000,000 cycle test-grade 1  
Available 11" to 60" in length

BHMA certified to ANSI/BHMA A156.22, 1,000,000 cycle test-grade 1



**682** nylon brush  
Available 11" to 60" in length

All products this section



\*up to 3 hrs. metal doors, 45 minute wood doors (does not fit mortise restrictions of some wood door manufacturers)

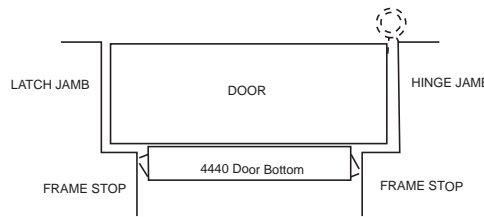
## Dual Actuated Automatic Door Bottoms

All products this page



### WILL NOT FUNCTION ON PAIRS OF DOORS

- Actuated by frame stop on both ends
- Low compression & operating force
- Concealed fasteners
- For pairs use matching single actuated door bottoms shown below



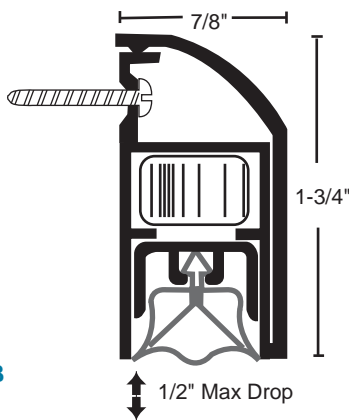
silicone is gray  
gray brush with mill finish and anodized aluminum  
black brush with gold and DKB

A - anodized aluminum  
B - gold  
DKB - dark bronze  
no suffix - mill aluminum

### Surface

silicone  
**4440SA**  
**4440SB**  
**4440SDKB**

nylon brush  
**4440WHA**  
**4440WHB**  
**4440WHDKB**

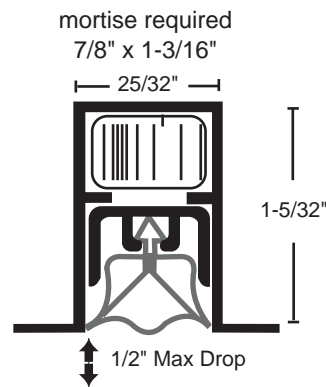


Furnished 1-3/8" shorter than ordered to fit between stops on frame. (i.e. 36" is furnished 34-5/8")  
#6 x 3/4" TEK furnished

### Mortise

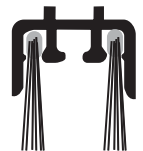
silicone  
**4447S**

nylon brush  
**4447WH**



Furnished 1/4" shorter than ordered to fit net door width. (i.e. 36" is furnished 35-3/4" net) #4 x 5/8" SMS furnished

Available 24" to 96" in length. May be field cut up to 3".



## Single Actuated Automatic Door Bottoms

- Matches design of dual actuated door bottoms. For use on pairs of doors or field size for single doors
- Low compression & operating force
- Concealed fasteners

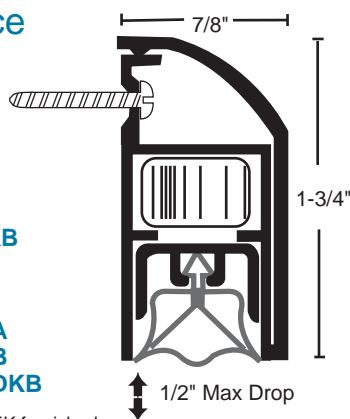
Drop Bar with Nylon Brush - suffix "WH"

### Surface

silicone  
**4441SA**  
**4441SB**  
**4441SDKB**

nylon brush  
**4441WHA**  
**4441WHB**  
**4441WHDKB**

#6 x 3/4" TEK furnished

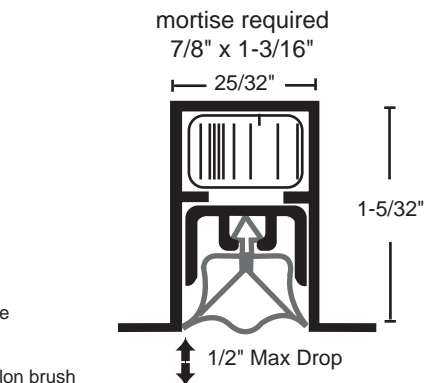


**HANDED - NOT FIELD REVERSIBLE**

### Mortise

**4448S** silicone

**4448WH** nylon brush




Furnished 1/4" shorter than ordered to fit net door size. (i.e. 36" is furnished 35-3/4" net) #4 x 5/8" SMS furnished

Available 24" to 96" in length. May be field cut up to 3".

# Thermal Break Door Shoes

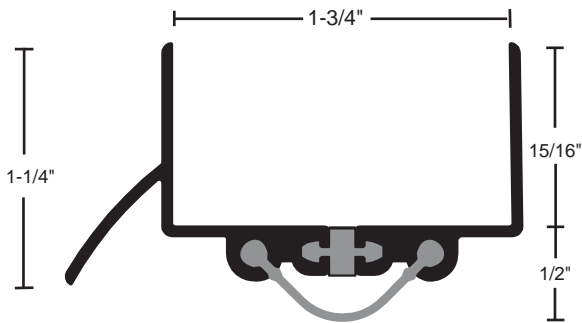
Thermal break door shoes feature a rigid spline creating a separation to prevent the transfer of outside temperature and frost through the door shoe.

#6 x 3/4" stainless steel sheet metal screws furnished.  
Screw holes slotted for adjustment.

All door shoes this page 

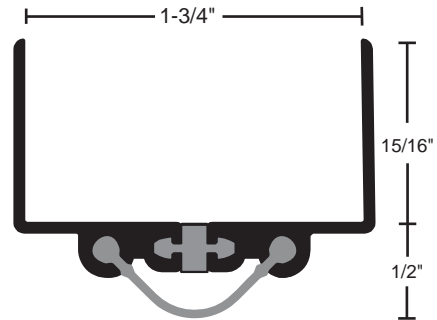
**MATERIALS & FINISHES**  
A - anodized aluminum  
DKB - dark bronze

## 819 Series



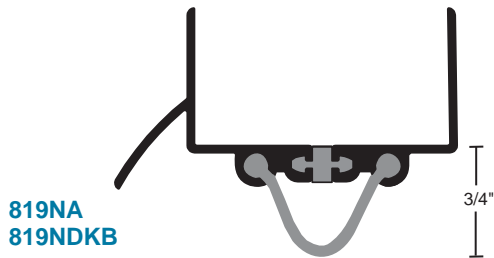
**819VA**  
**819VDKB**

## 816 Series



**816VA**  
**816VDKB**

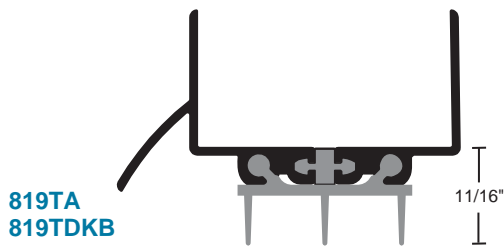
### Gasketing options:



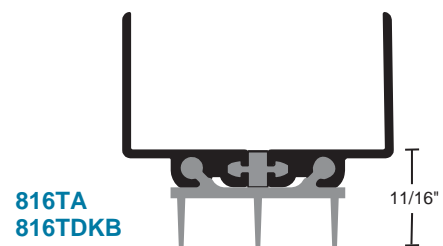
**819NA**  
**819NDKB**



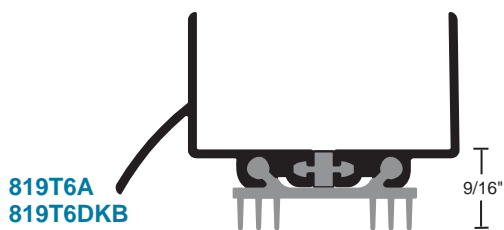
**816NA**  
**816NDKB**



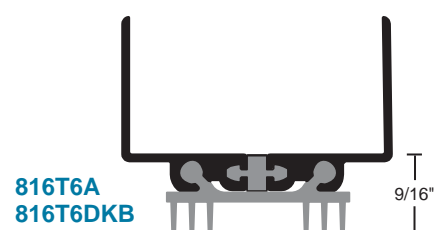
**819TA**  
**819TDKB**



**816TA**  
**816TDKB**



**819T6A**  
**819T6DKB**



**816T6A**  
**816T6DKB**

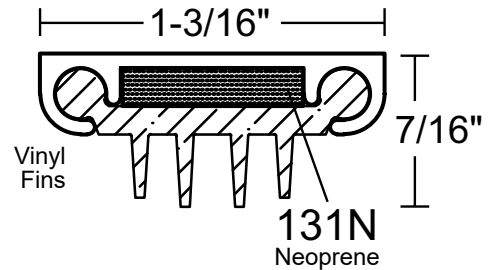
## Acoustical Door Shoe

Aluminum alloy 6063, T5 temper  
Thermoplastic polymer: Polyvinyl Chloride formulated with an environmentally friendly Bio-based plasticizer

- Economical
- Flame resistant
- Moisture resistant
- Temperature range 0°F to 140°F
- Oxidative degradation from age and exposure to cold, heat and UV causes hardening, loss of memory and resilience, cracking, crazing and discoloration
- #6 x 3/4" stainless steel SMS furnished
- Screw holes slotted for adjustment



vinyl is gray



312V X 131N  
312VDKB X 131N

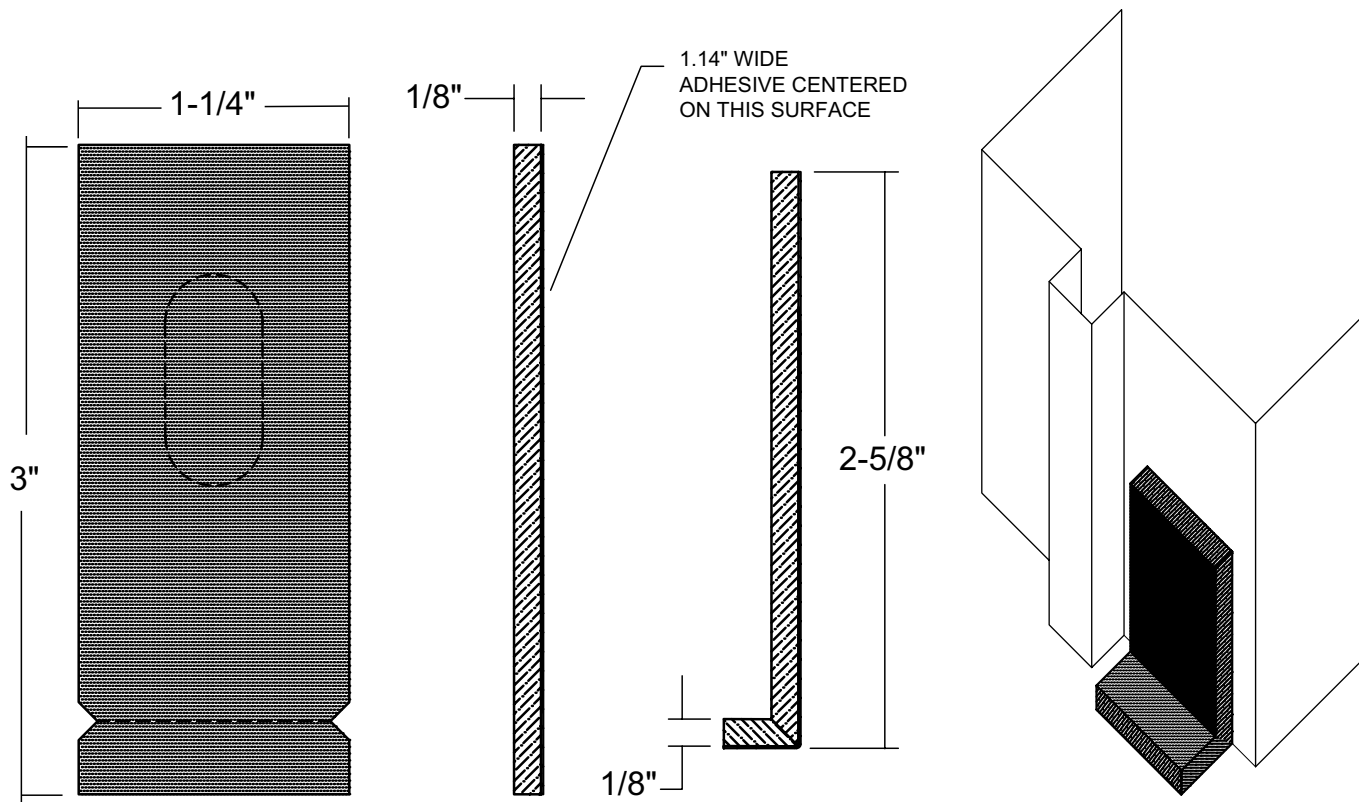


## STC Rated Acoustical Foam Pad

Foam seal self adhesive

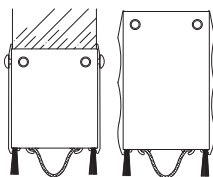
- Helps acoustics and seals at corner gap
- Apply to jambs on hinge and strike side
- Available as set of 2 pads
- Color is black

60FP



# Extended Door Shoes

#6 x 3/4" Stainless Steel SMS furnished  
End caps available - sold separately



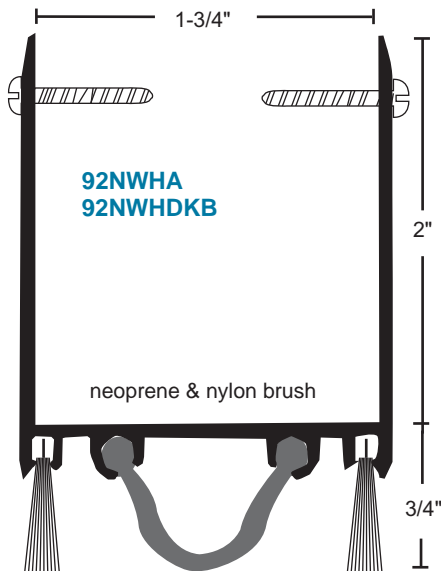
All products this page



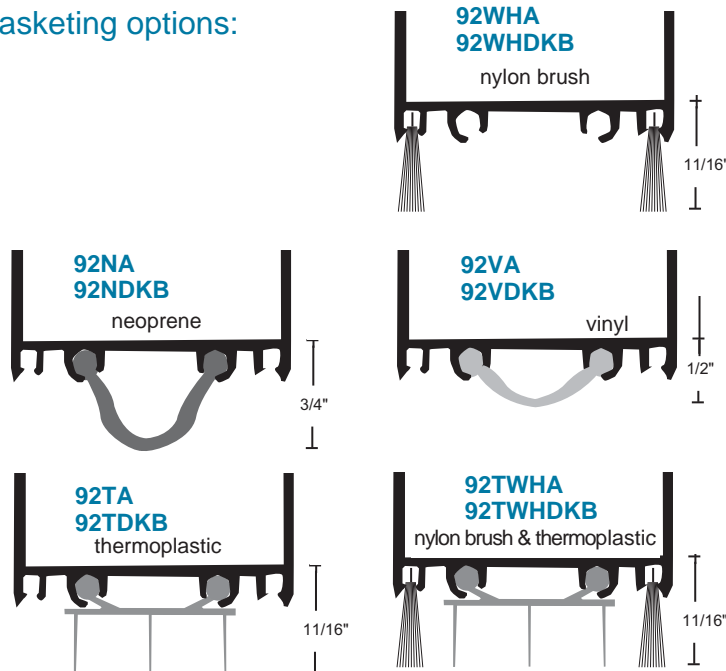
A- anodized aluminum  
B - gold  
DKB - dark bronze  
no suffix - mill aluminum

vinyl is gray  
neoprene is black  
thermoplastic is dark brown  
nylon brush is gray with anodized aluminum; black with DKB metal

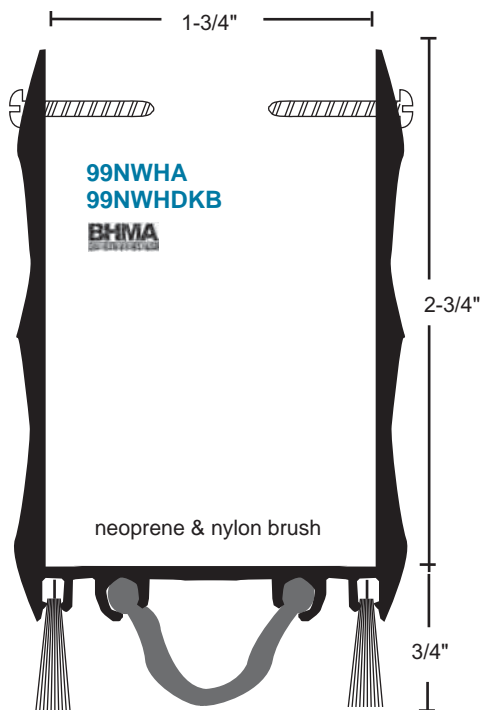
## 92 Series



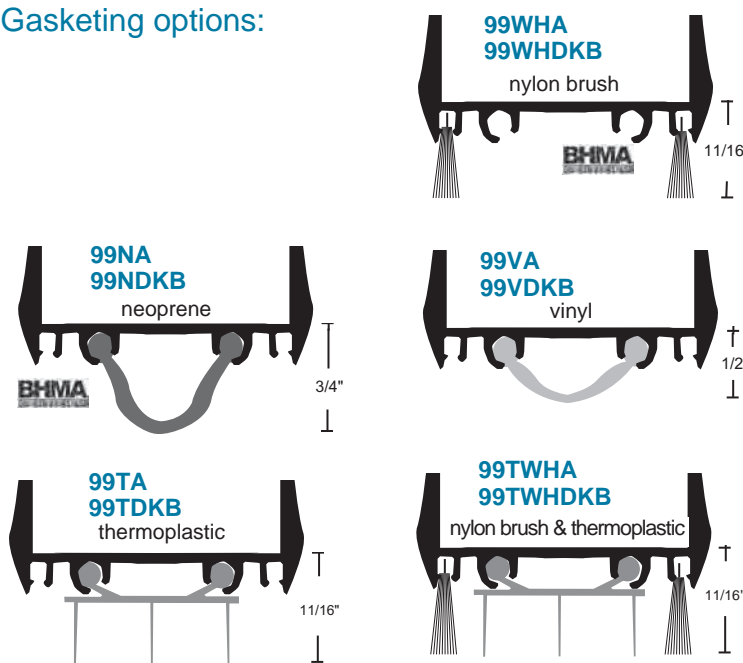
### Gasketing options:



## 99 Series



### Gasketing options:



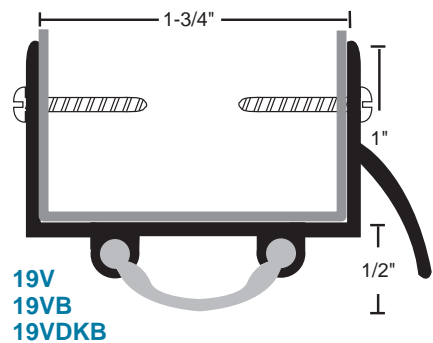
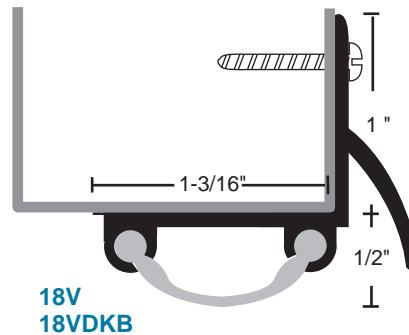
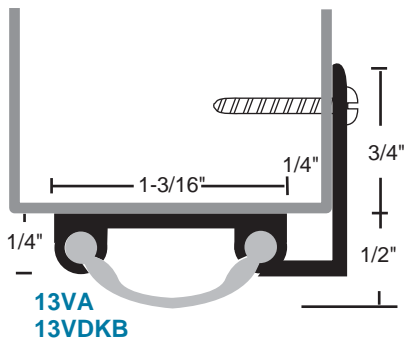
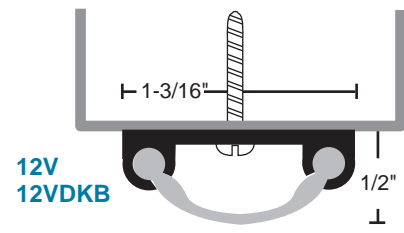
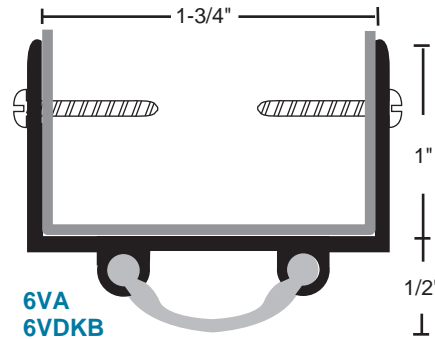
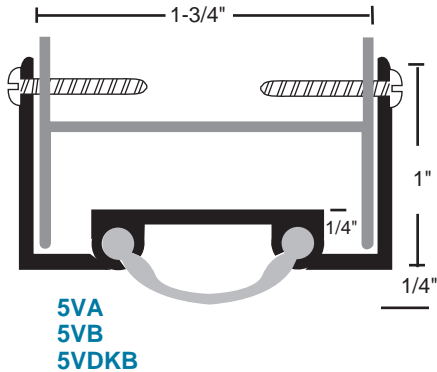
## Smooth Vinyl Door Shoes

#6 x 3/4" Stainless Steel Sheet Metal Screws furnished.  
Screw holes slotted for adjustment.

All vinyl door shoes this section

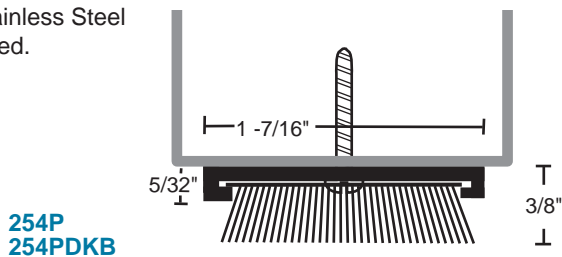


**A** - anodized aluminum  
**B** - gold  
**DKB** - dark bronze  
**no suffix** - mill aluminum  
vinyl is gray



## Polypropylene Pile Door Shoes

#6 x 3/4" Stainless Steel  
SMS furnished.  
Pile is gray





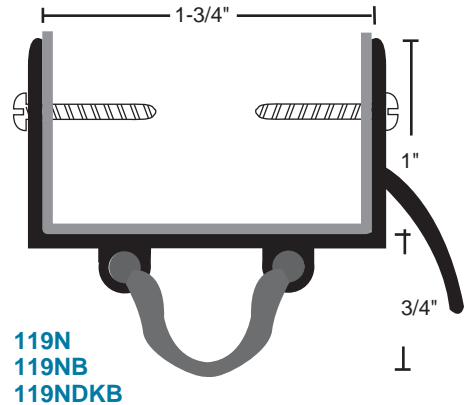
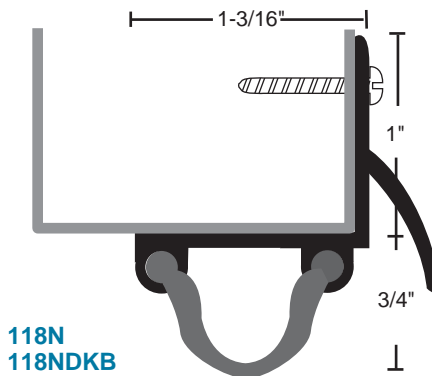
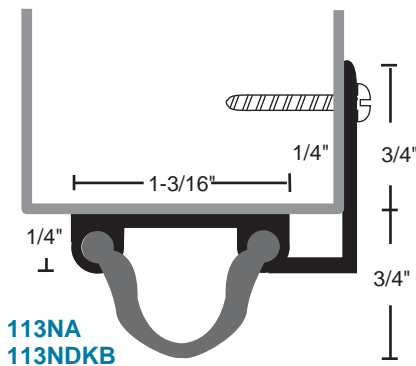
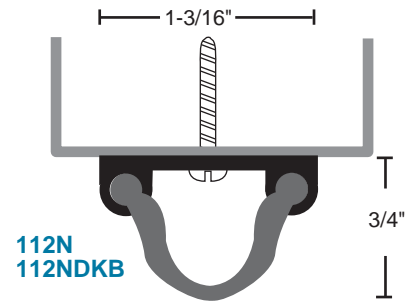
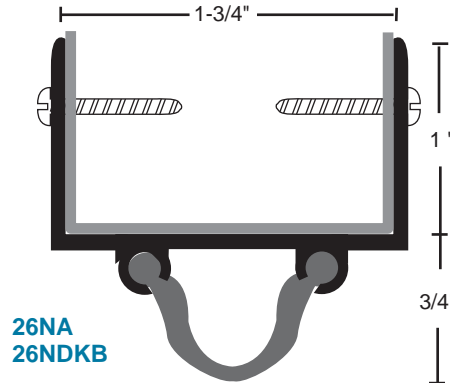
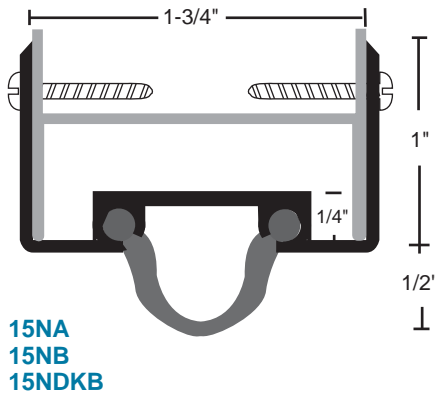
## Neoprene Door Shoes

#6 x 3/4" Stainless Steel Sheet Metal Screws furnished.  
Screw holes slotted for adjustment.

All neoprene door shoes this section



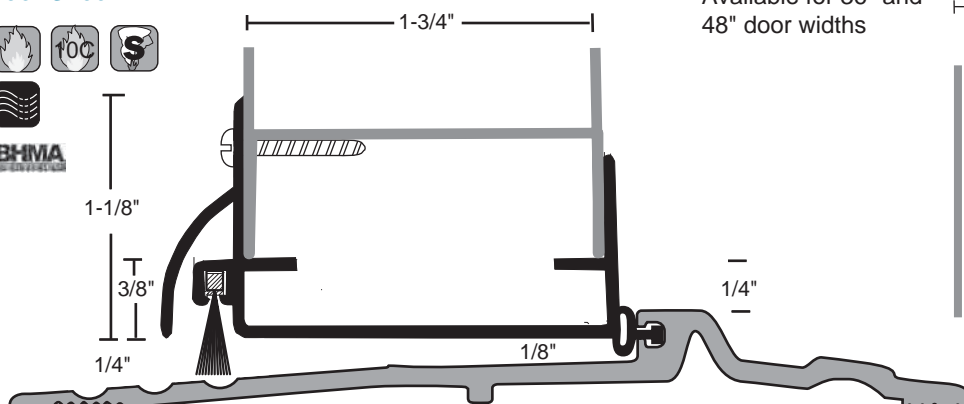
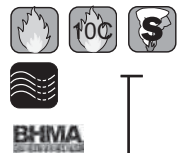
A - anodized aluminum  
B - gold  
DKB - dark bronze  
no suffix - mill aluminum  
neoprene is black



## Nylon Brush Door Shoe

#6 x 3/4" Stainless Steel SMS furnished  
Screw holes slotted for adjustment.

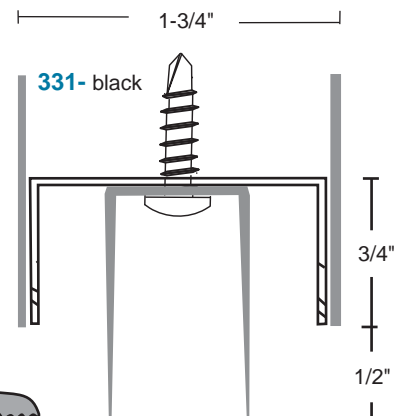
**95WH** gray brush  
**95WHDKB** - black brush  
**Door Shoe**



Designed for use on standard 3/4" undercut door used with NGP 896 V, N, or S ADA compliant threshold as shown

## Double Fin Door Shoe

- Rigid polypropylene top with flexible TPV fins
- Designed for hollow metal doors with inverted bottom channel
- Furnished undrilled
- #8 x 3/4" TEK screws furnished
- Available for 36" and 48" door widths



**896**  
**896DKB**  
**Threshold**

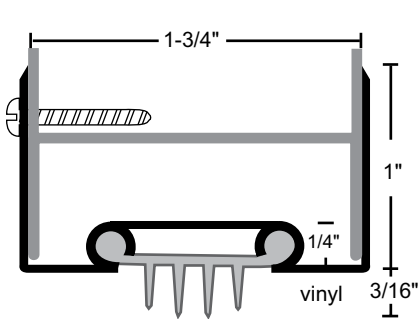
## Finned Vinyl Door Shoes

#6 x 3/4" Stainless Steel SMS furnished.  
Screw holes slotted for adjustment.

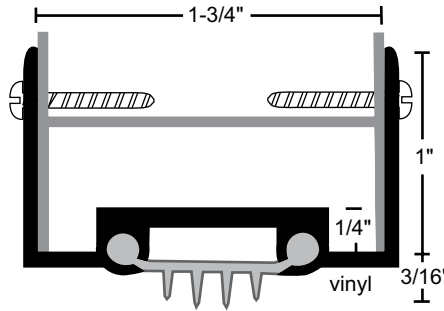
All products this page



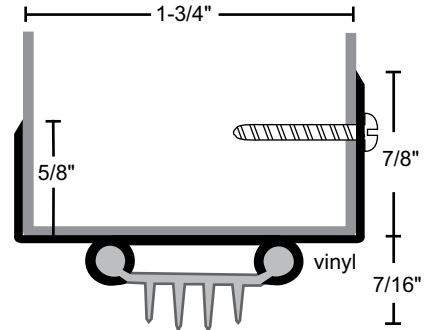
**A** - anodized aluminum  
**B** - gold  
**DKB** - dark bronze  
**no suffix** - mill aluminum  
vinyl is gray



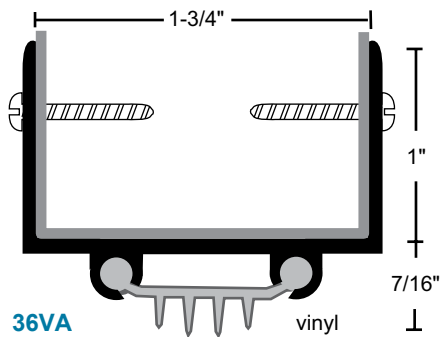
**35EV**  
**35EVDKB**



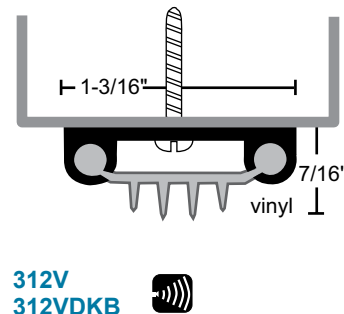
**35VA**  
**35VB**  
**35VDKB**



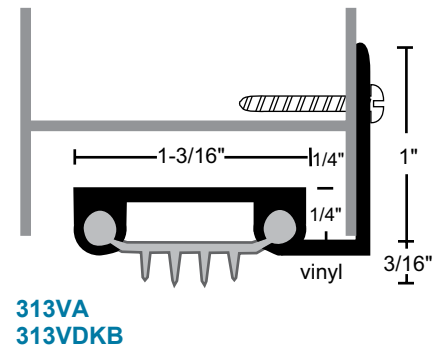
**36EV**  
**36EVDKB**



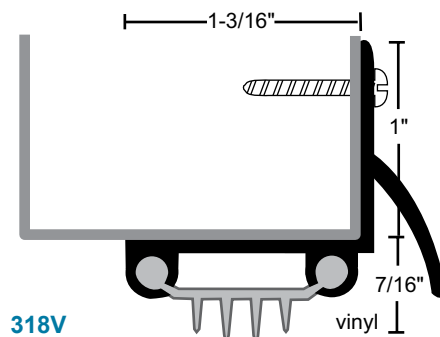
**36VA**  
**36VDKB**



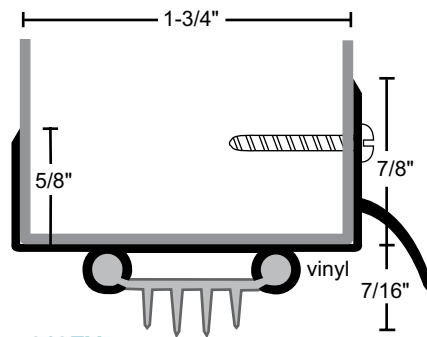
**312V**  
**312VDKB**



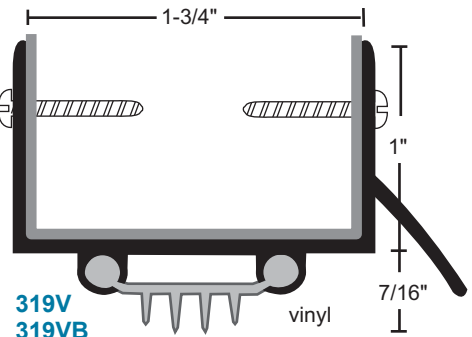
**313VA**  
**313VDKB**



**318V**  
**318VDKB**



**319EV**  
**319EVDKB**



**319V**  
**319VB**  
**319VDKB**

## Thermoplastic Door Shoes

Thermoplastic polymer seal with rigid base and soft vinyl fins.  
48" maximum length

All products this page



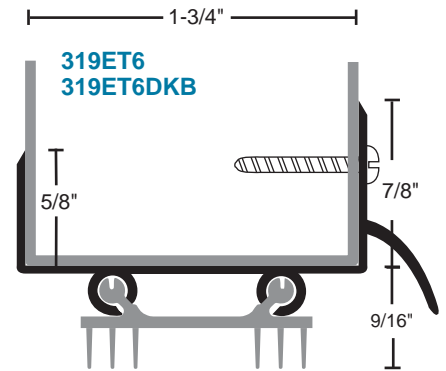
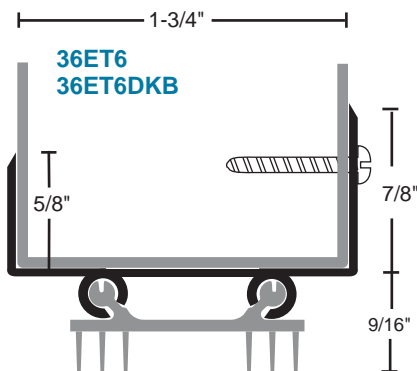
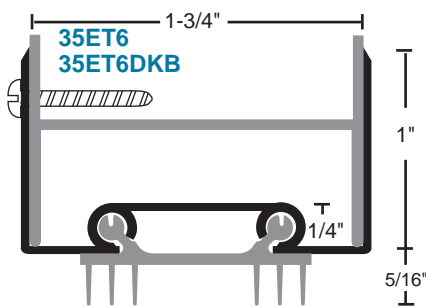
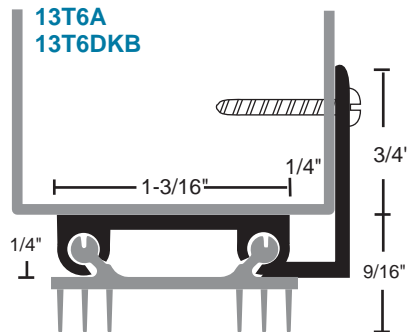
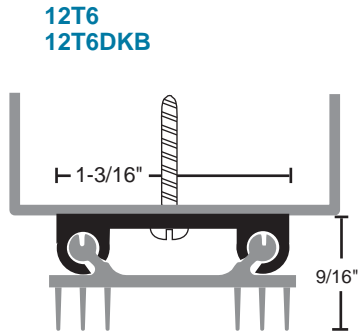
Material Finishes:

**A** - anodized aluminum

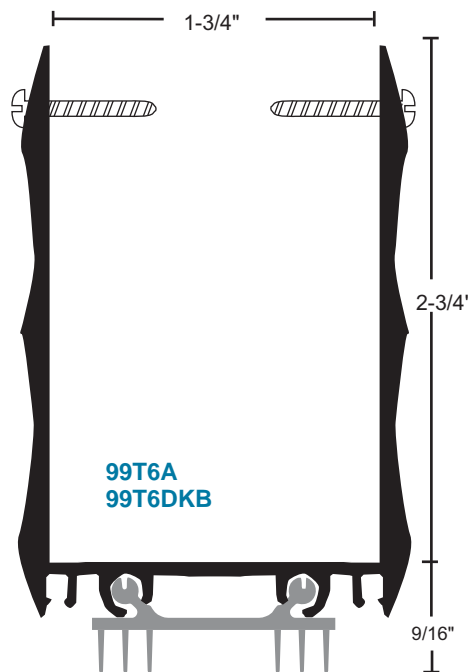
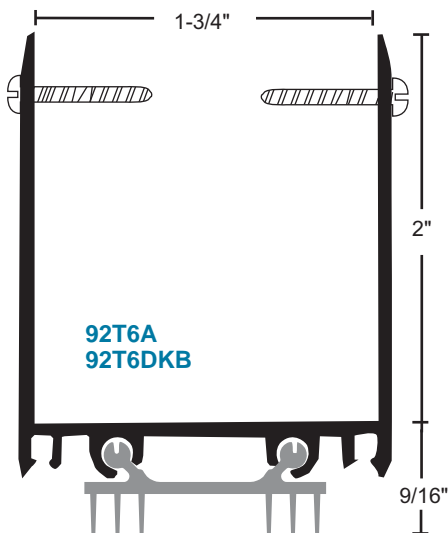
**DKB** - dark bronze

**no suffix** = mill aluminum  
thermoplastic is dark brown

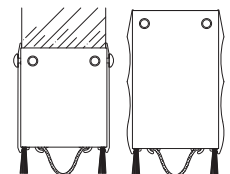
#6 x 3/4" stainless steel  
SMS furnished



## Extended Door Shoes



End caps available -  
sold separately



Page  
Intentionally  
Blank

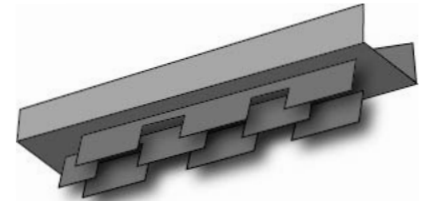
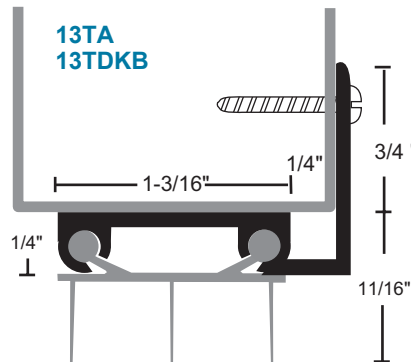
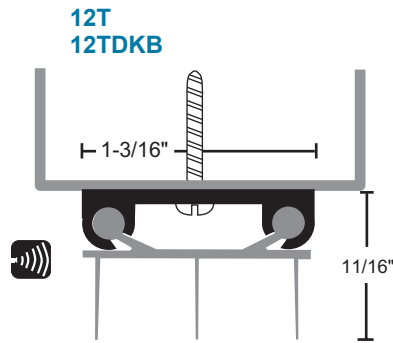
## Thermoplastic Door Shoes

Thermoplastic polymer seal with rigid base and soft vinyl fins. Available with Notched Fins to allow air flow while restricting light, suffix NF. 48" maximum length

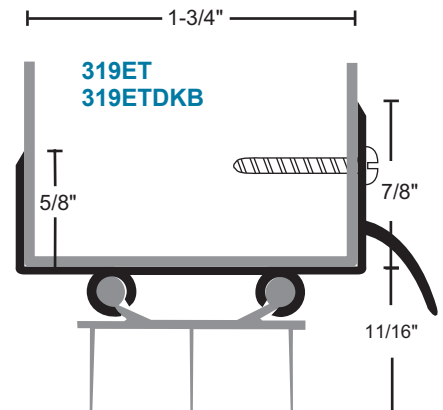
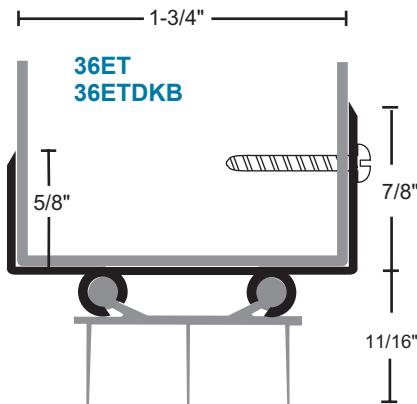
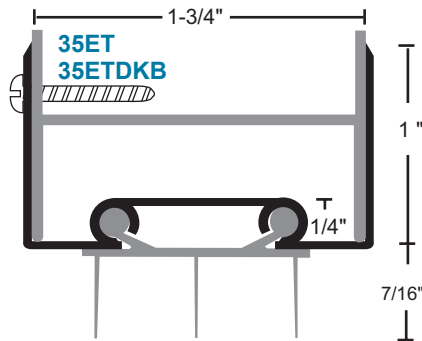
All products this page



#6 x 3/4" stainless steel SMS furnished

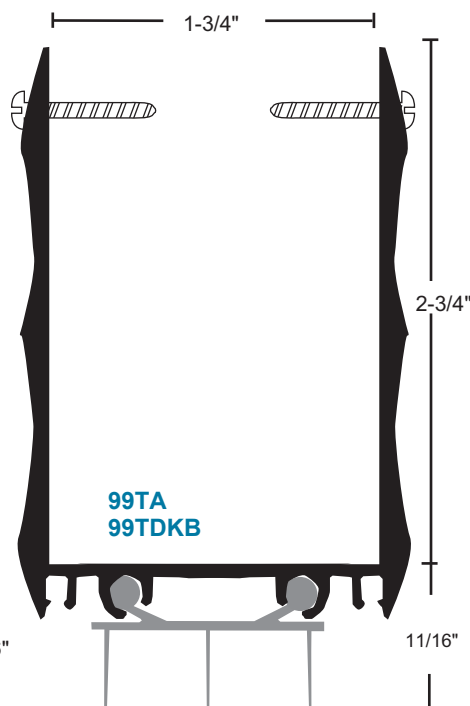
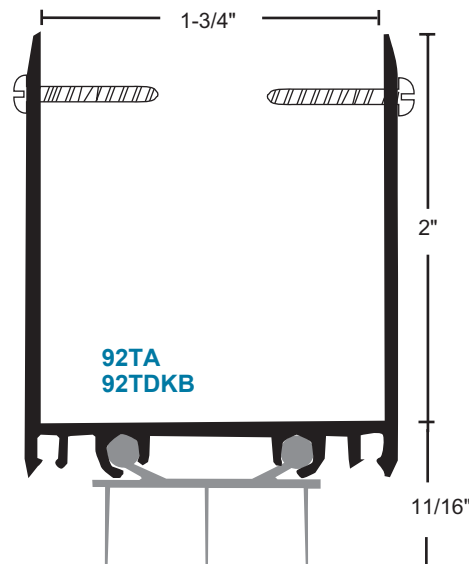
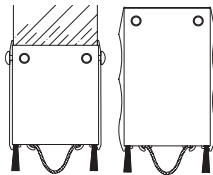


Option: Notched Fins - suffix 'NF'



## Extended Door Shoes

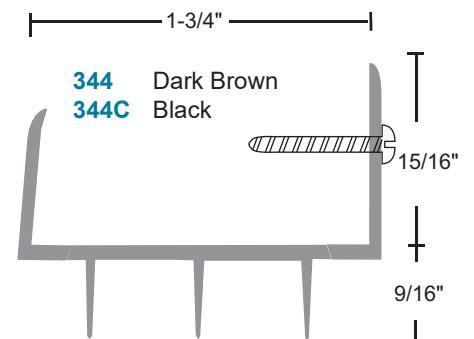
End caps available - sold separately



Material Finishes:  
**A** - anodized aluminum  
**DKB** - dark bronze  
**no suffix** = mill aluminum  
 thermoplastic is dark brown

## Rigid Thermoplastic Door Shoe with Soft Vinyl Fins

• Available 36" and 48"



## Neoprene Sweeps

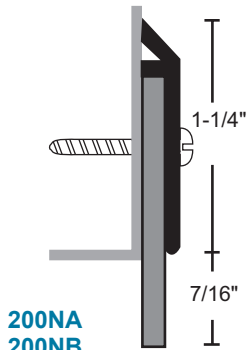
#6 x 3/4" Stainless Steel Sheet Metal Screws furnished.  
Screw holes slotted for adjustment.  
Neoprene is black

All products this page



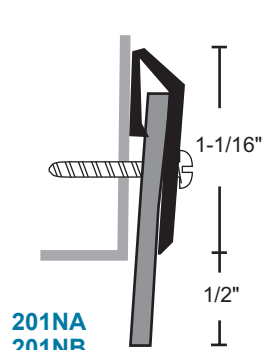
Material Finishes:

**A** - anodized aluminum  
**DKB** - dark bronze  
**no suffix** = mill aluminum  
neoprene is black



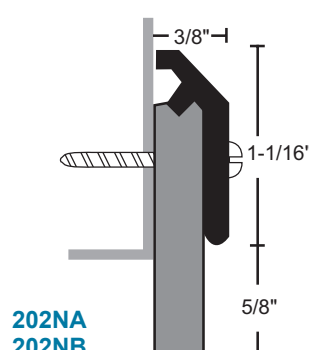
**200NA**  
**200NB**  
**200NDKB**

**BHMA**  
CERTIFIED



**201NA**  
**201NB**  
**201NDKB**

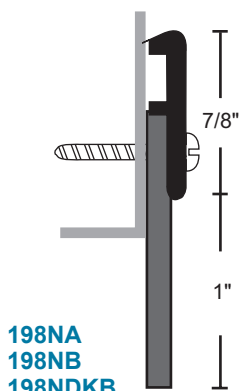
**BHMA**  
CERTIFIED



**202NA**  
**202NB**  
**202NDKB**

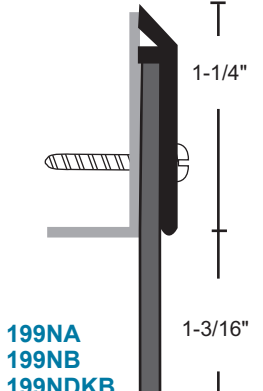
**BHMA**  
CERTIFIED

#6 x 1" stainless steel SMS



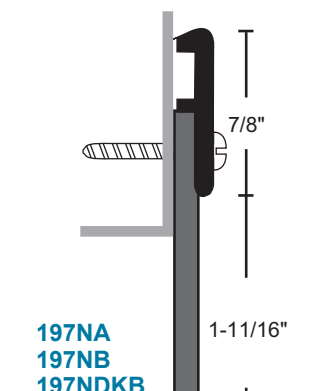
**198NA**  
**198NB**  
**198NDKB**

**BHMA**  
CERTIFIED



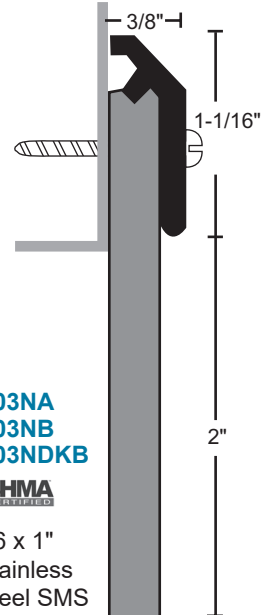
**199NA**  
**199NB**  
**199NDKB**

**BHMA**  
CERTIFIED



**197NA**  
**197NB**  
**197NDKB**

**BHMA**  
CERTIFIED

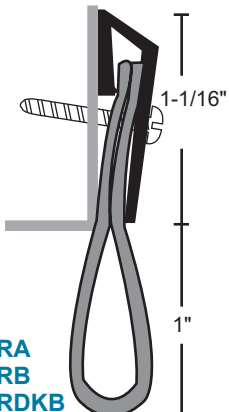


**203NA**  
**203NB**  
**203NDKB**

**BHMA**  
CERTIFIED

#6 x 1" stainless steel SMS

## Reinforced Neoprene Sweep

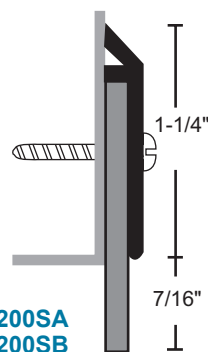


**2014RA**  
**2014RB**  
**2014RDKB**

0.060" thick Lead Insert available for radiation shield – suffix "LD"

## Silicone Sweep

silicone is gray



**200SA**  
**200SB**  
**200SDKB**

**BHMA**  
CERTIFIED

## Vinyl Sweeps

#6 x 3/4" Stainless Steel SMS furnished.  
Screw holes slotted for adjustment.

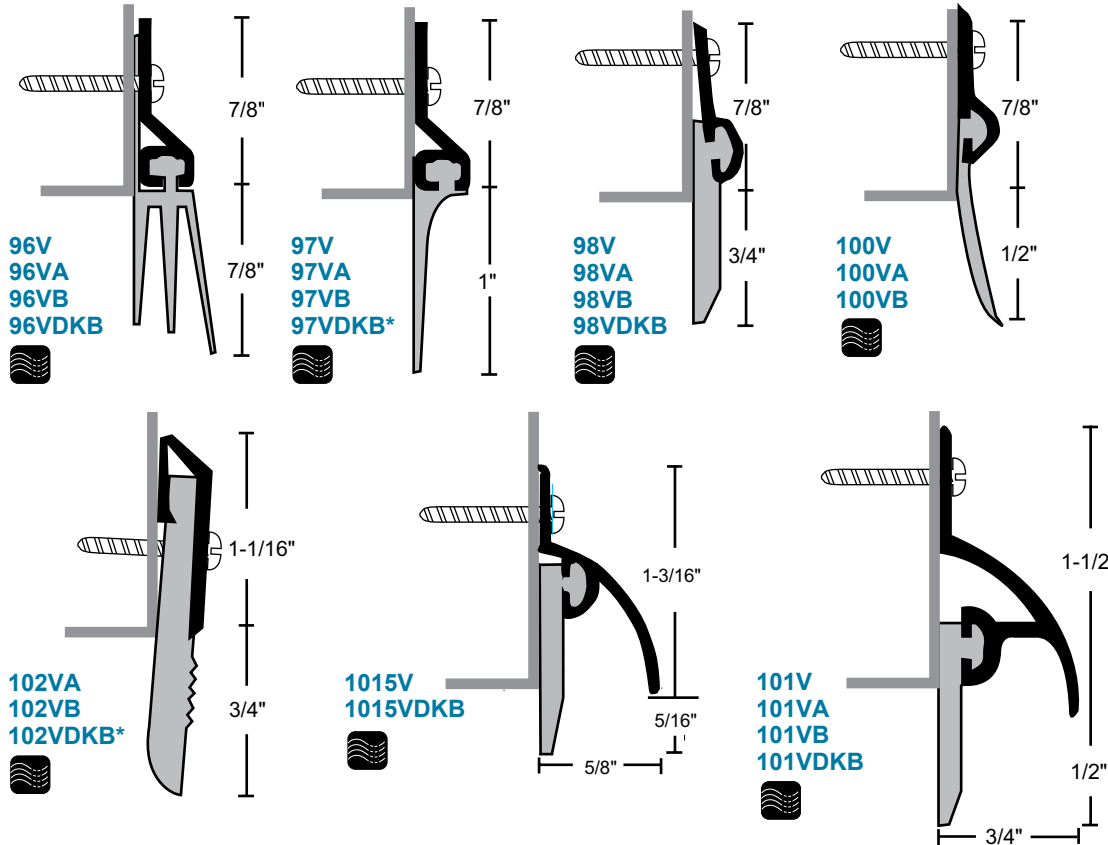
All products this page



**A** - anodized aluminum  
**B** - gold  
**DKB** - dark bronze  
**no suffix** - mill aluminum

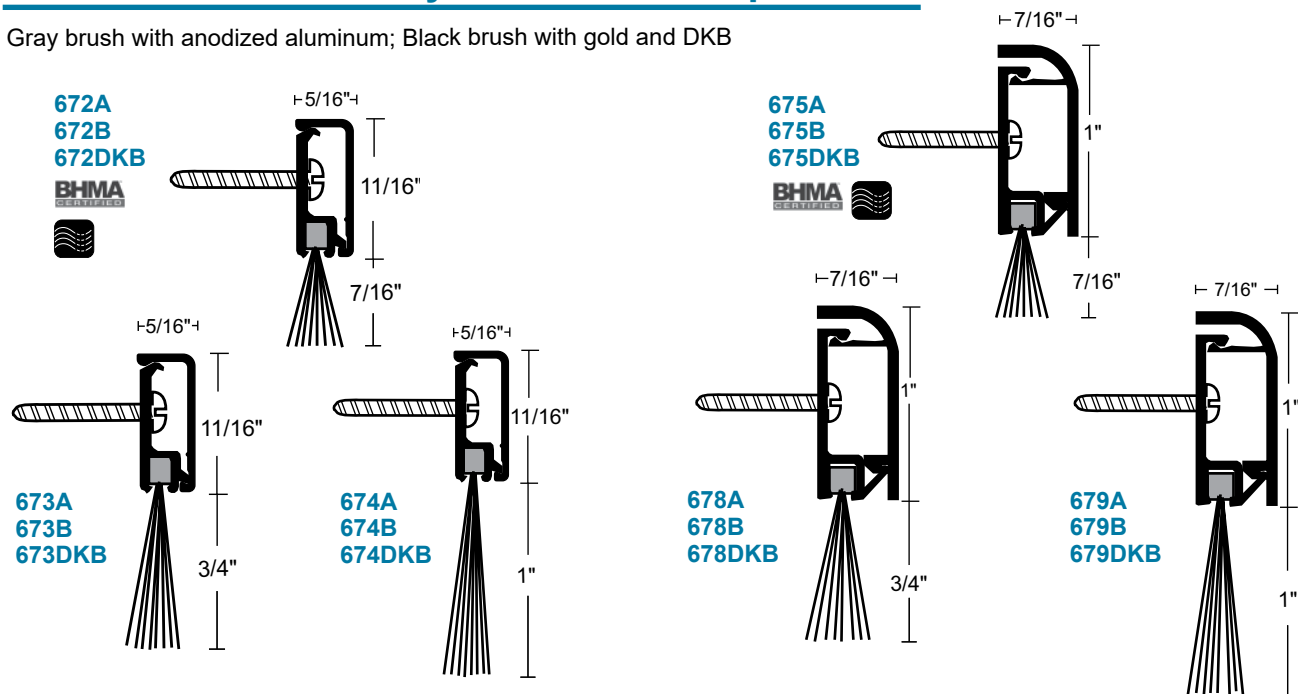
vinyl is gray

Exceptions:  
\*vinyl is black



## Concealed Fastener Nylon Brush Sweeps

Gray brush with anodized aluminum; Black brush with gold and DKB



## Nylon Brush Sweeps

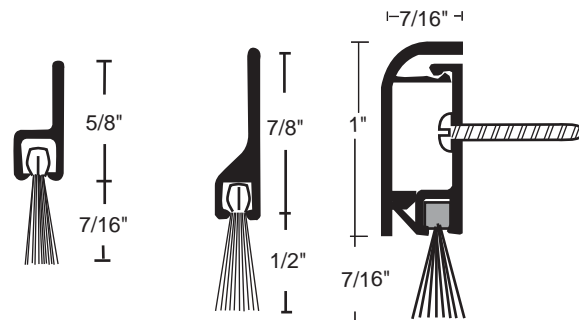
#6 x 3/4" Stainless Steel Sheet Metal Screws furnished.  
Screw holes are slotted for adjustment.

- A - anodized aluminum with gray brush
- B - gold with black brush
- DKB - dark bronze with black brush
- no suffix - mill aluminum with gray brush

All products this page



Our exclusive line of premium grade seals specially formulated to withstand greater temperature extremes while providing maximum protection against air infiltration.



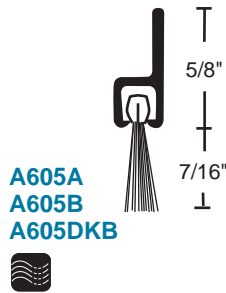
9605A  
9605B  
9605DKB



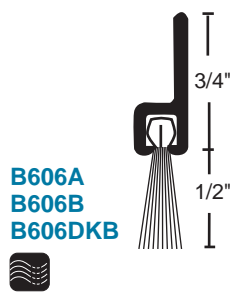
9600  
9600A  
9600B  
9600DKB



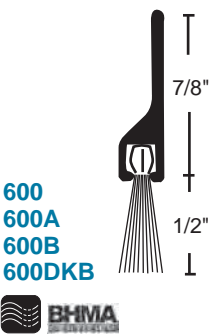
9675  
9675A  
9675B  
9675DKB



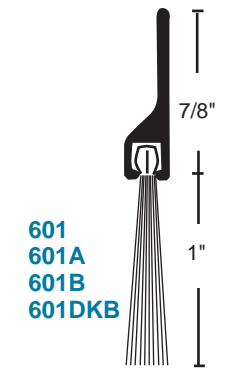
A605A  
A605B  
A605DKB



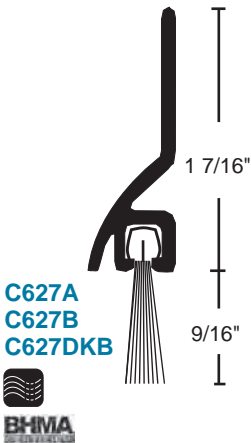
B606A  
B606B  
B606DKB



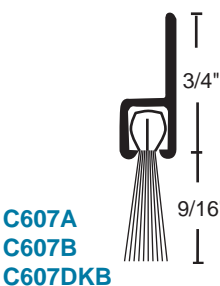
600  
600A  
600B  
600DKB



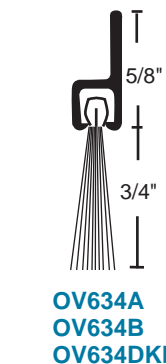
601  
601A  
601B  
601DKB



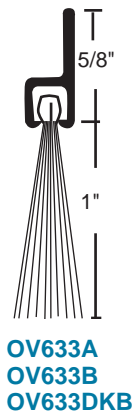
C627A  
C627B  
C627DKB



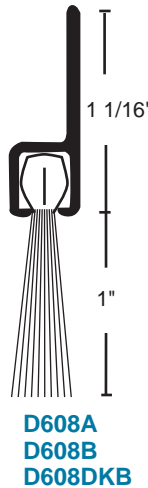
C607A  
C607B  
C607DKB



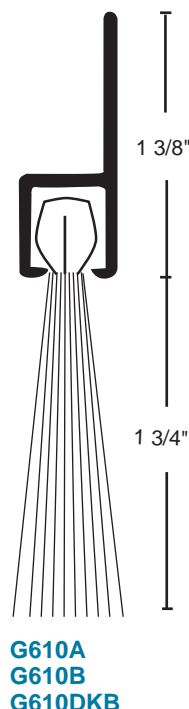
OV634A  
OV634B  
OV634DKB



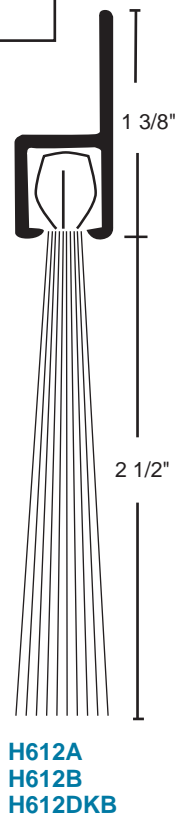
OV633A  
OV633B  
OV633DKB



D608A  
D608B  
D608DKB



G610A  
G610B  
G610DKB



H612A  
H612B  
H612DKB

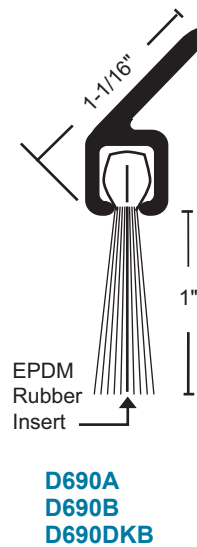
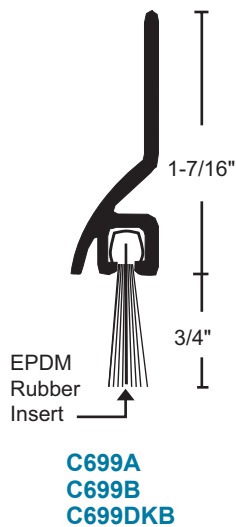
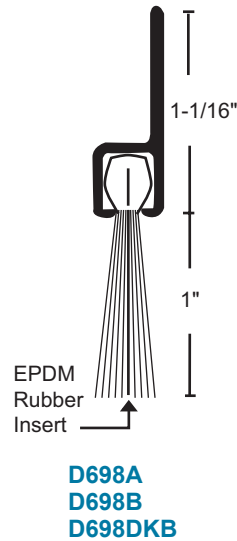
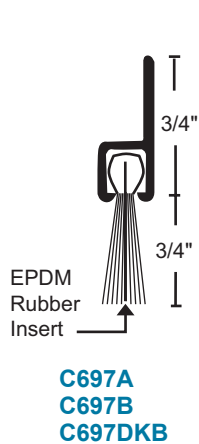


## Nylon Brush Seals with EPDM Rubber Insert

#6 x 3/4" Stainless Steel Sheet Metal Screws furnished.  
Screw holes are slotted for adjustment.

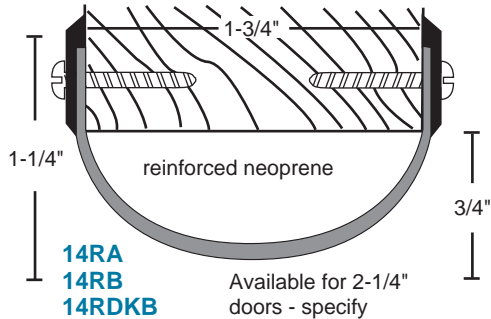
- A** - clear anodized with black brush
- B** - gold with black brush
- DKB** - dark bronze with black brush

- EPDM rubber insert protects against water penetration and provides an effective bottom seal for exterior doors
- Excellent abrasion resistance, flexibility and memory
- Moisture resistant
- Retains insecticides well
- Temperature range - 60°F to 350°F



Page  
Intentionally  
Blank

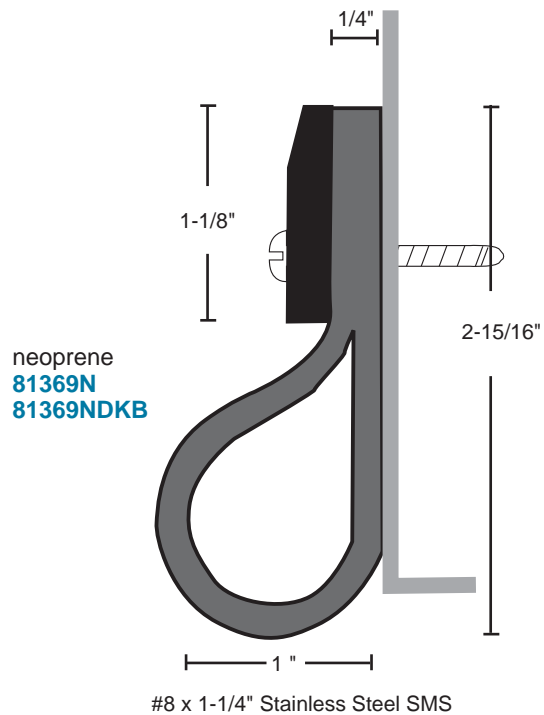
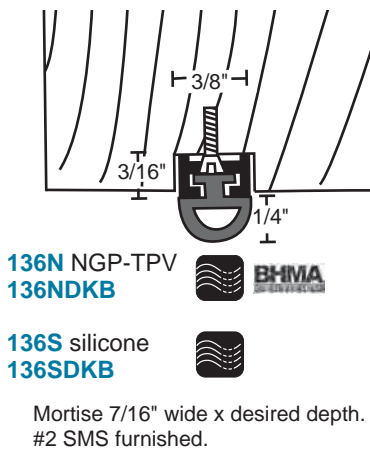
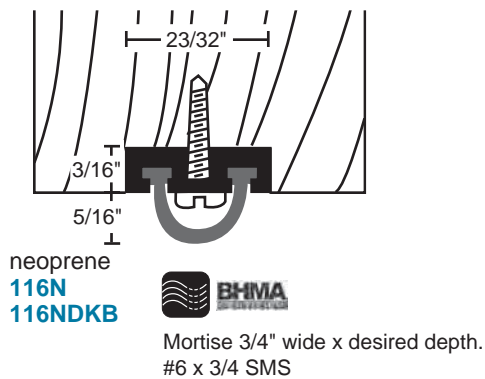
## Door Bottom Seals



Material Finishes:  
**A** - anodized aluminum  
**B** - gold  
**DKB** - dark bronze  
**no suffix** = mill aluminum  
 neoprene, silicone & NGP-TPV are black

## Overhead Door Bottom Seal

- Properties:
- Synthetic rubber polymer blend: Chloroprene and EPDM
  - Very good abrasion resistance, tensile strength and memory
  - Flame resistant
  - Moisture resistant
  - Temperature range -20°F to 200°F
  - Good resistance to ozone sunlight and aging

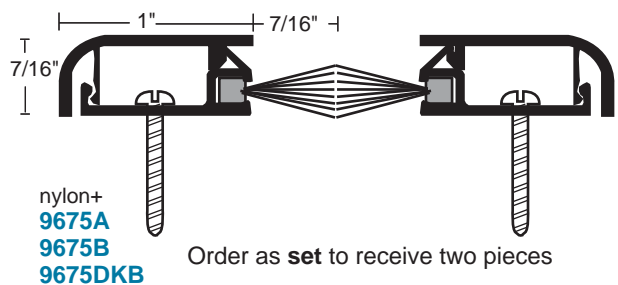
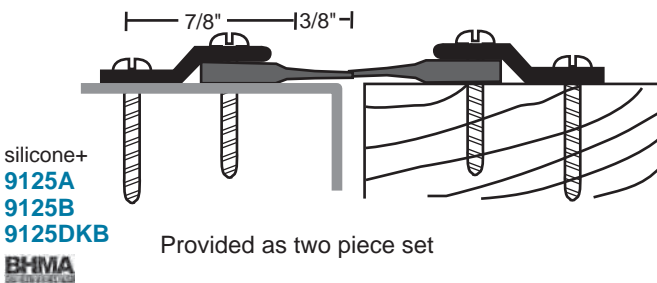
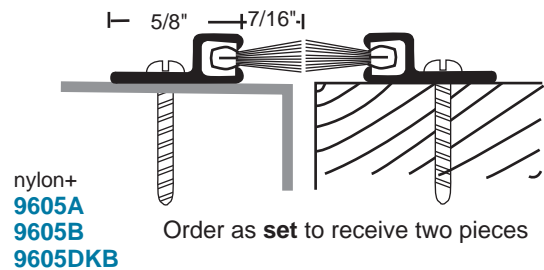
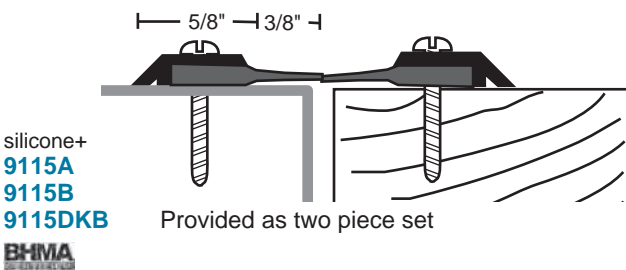
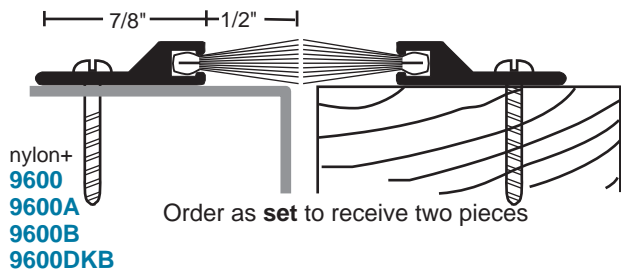
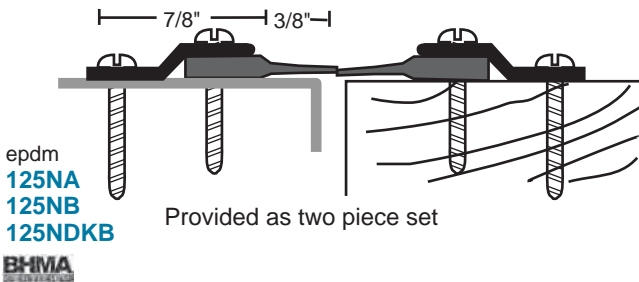
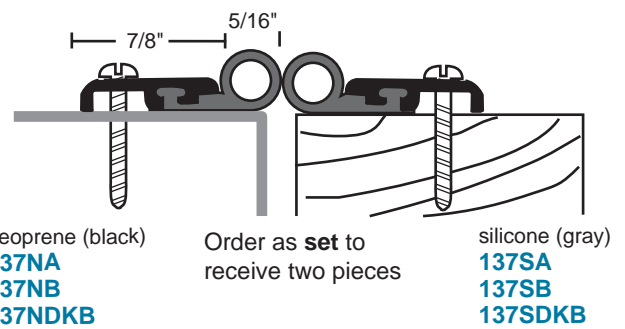
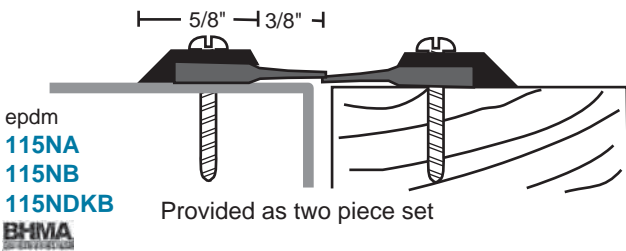


## Smoke-Rated Astragal Seals

Fire-rated Astragal Seals cannot replace any astragal required on the door by the door manufacturer to maintain its fire label. IBC, NFPA 80, NFPA105, and NFPA 252 require the gap at the meeting edge between fire labeled doors must not exceed 1/8".

#6 x 3/4" Stainless Steel Sheet Metal Screws furnished. Screw holes are slotted for adjustment.

Metal	epdm	silicone	nylon+
A - anodized aluminum	gray	tan	gray
B - gold	black	tan	black
DKB - dark bronze	black	tan	black
no suffix - mill aluminum	gray	tan	gray



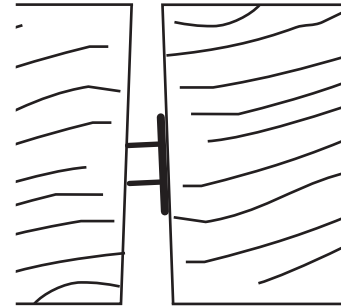
All products this page



**5070B** Brown  
**5070CL** Clear  
self-adhesive TPE



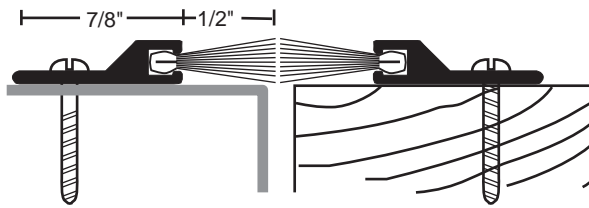
\* antimicrobial not available in clear



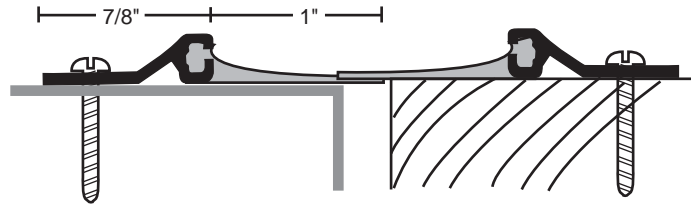
# Surface Mounted Astragal Sets

#6 x 3/4" Stainless Steel SMS furnished.  
Screw holes are slotted for adjustment.

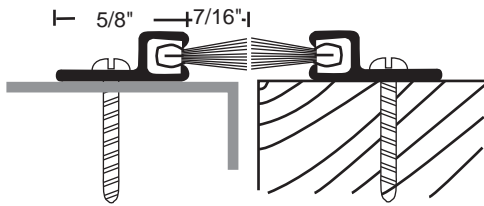
**A** - anodized aluminum  
**B** - gold  
**DKB** - dark bronze  
**no suffix** - mill aluminum  
Brush is gray with mill finish and anodized aluminum metal; black with gold and DKB  
vinyl is gray, except \* vinyl is black



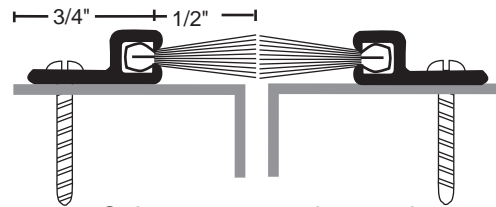
nylon brush Order as **set** to receive two pieces  
**600**  
**600A**  
**600B**  
**600DKB**



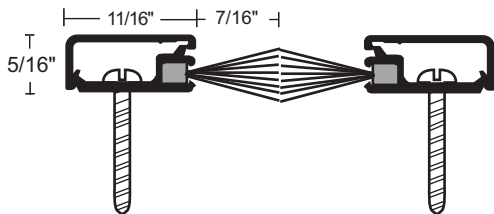
vinyl Order as **set** to receive two pieces  
**97V**  
**97VA**  
**97VB**  
**97VDKB\***



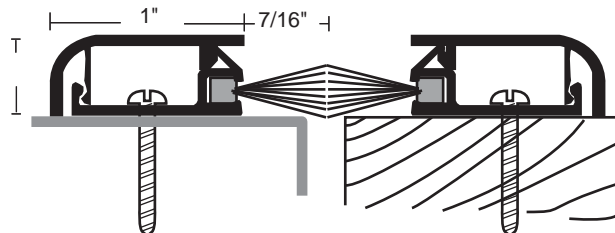
nylon brush Order as **set** to receive two pieces  
**A605A**  
**A605B**  
**A605DKB**



nylon brush Order as **set** to receive two pieces  
**B606A**  
**B606B**  
**B606DKB**



nylon brush Order as **set** to receive two pieces  
**672A**  
**672B**  
**672DKB**

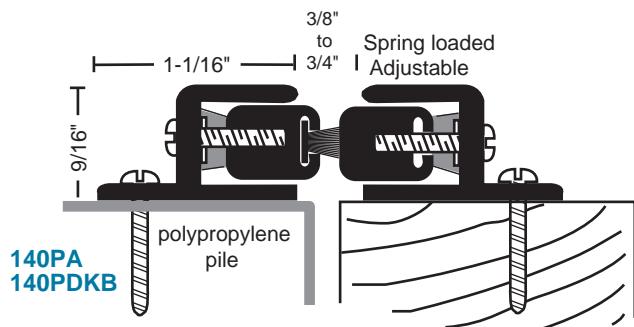


nylon brush Order as **set** to receive two pieces  
**675A**  
**675B**  
**675DKB**



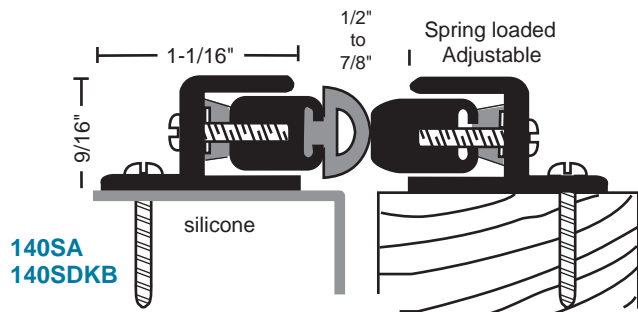
## Spring Adjustable Astragal Sets

- Adjustment screws on 10" centers allow adjustment of the seal without re-positioning mounting location
- Spring-loaded to maintain constant pressure for the most effective seal



\* Provided as two piece set

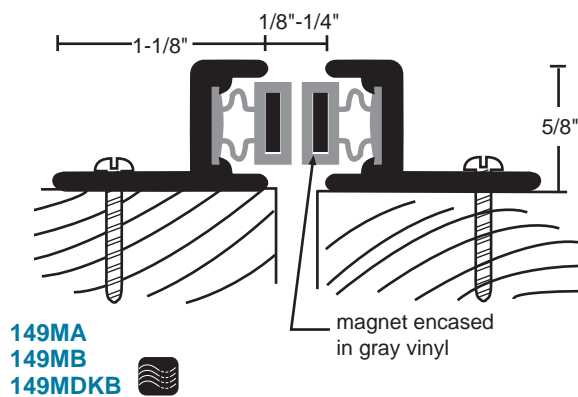
\* up to 3 hrs. metal doors, 20 min., wood doors



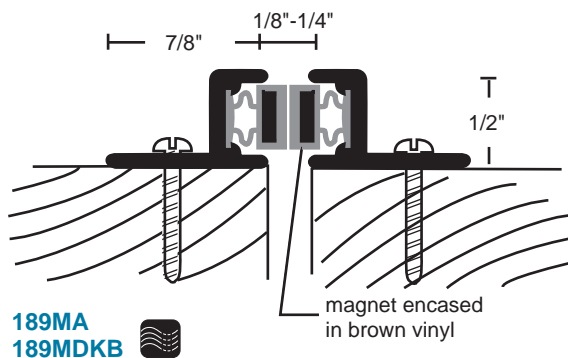
Provided as two piece set

## Magnetic Astragal Sets

#6 x 3/4" Stainless Steel SMS furnished.  
Screw holes are slotted for adjustment  
Not recommended for use on metal doors

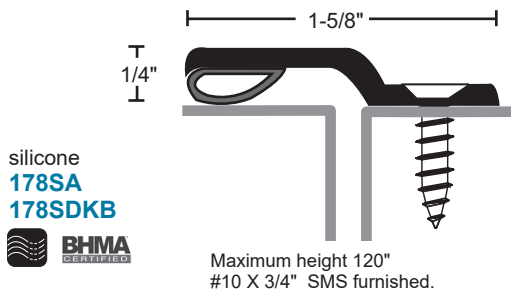
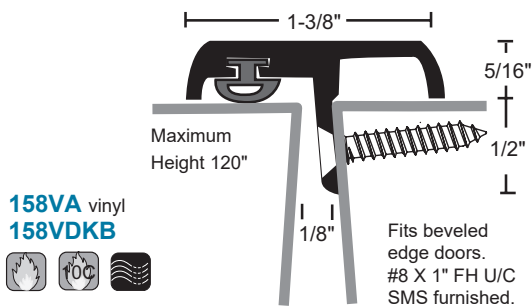
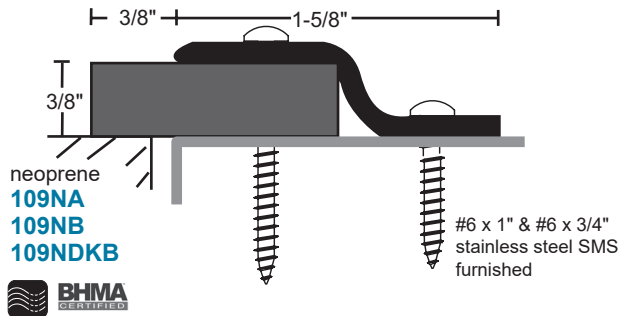


Provided as two piece set

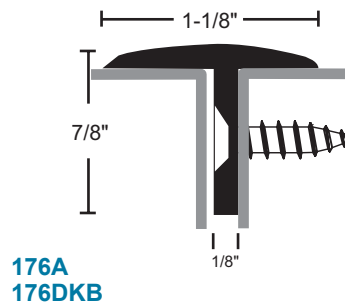
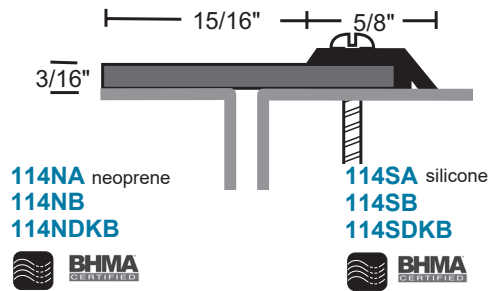


Provided as two piece set

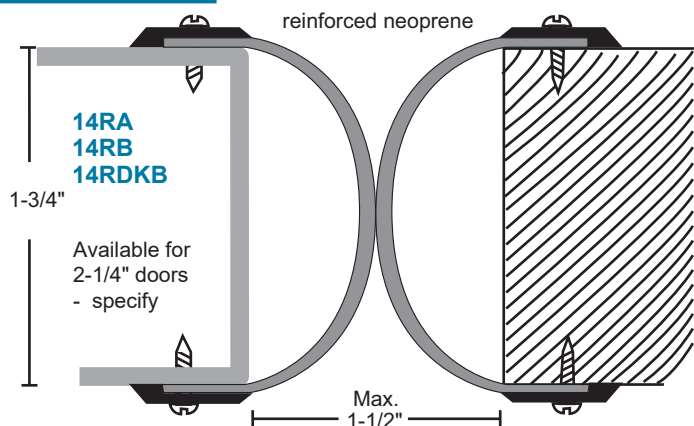
## Overlapping Astragals



**A** - anodized aluminum  
**B** - gold  
**DKB** - dark bronze  
**no suffix** - mill aluminum  
 vinyl & pile are gray  
 neoprene, NGP-TPV & silicone are black; except 114 silicone is gray

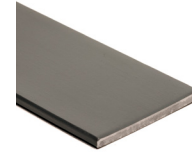


## Specialty Astragal



## Solid Metal Astragals

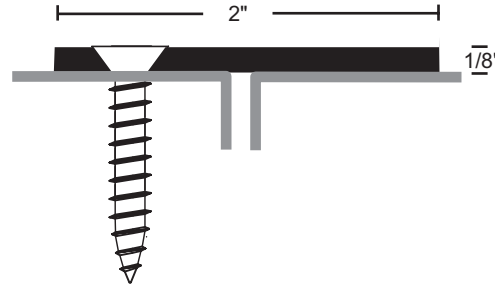
- Available lead-lined .030" thick lead, suffix "LD"
- Available with SNB, specify



**139SP Steel Prime Coat**  
**139SPDKB Steel Dark Bronze**

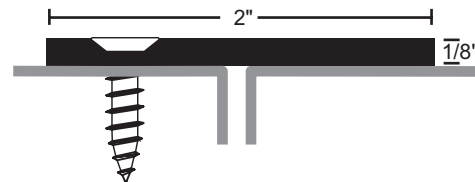


Furnished with #12 x 1-1/4" SMS. Can replace astragal required by the door manufacturer on wood or metal fire-rated doors. IBC, NFPA80, NFPA 252 require the gap at the meeting edge between fire labeled doors must not exceed 1/8". Astragal must overlap gap and inactive door minimum of 3/4".



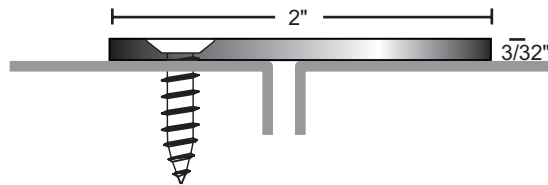
**139A Anodized Aluminum**  
**139DKB Aluminum Dark Bronze**

#10 x 3/4" SMS furnished

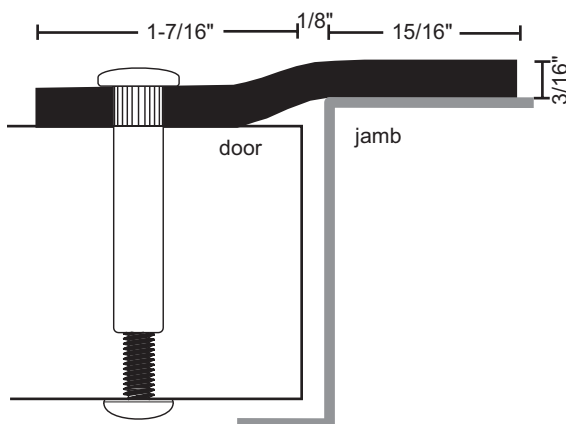


**139SS Stainless Steel**  
type 304 brushed #4 finish (US32D, 630)

#10 x 3/4" SMS furnished



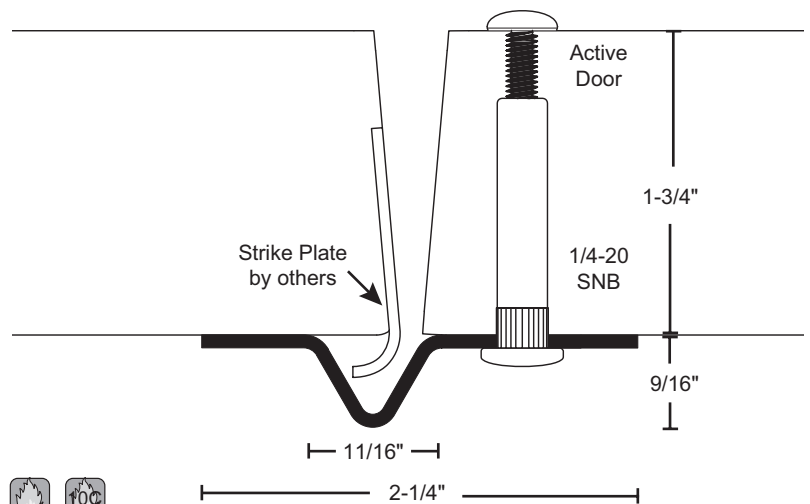
## Steel Security Astragals



**1392SP Steel Prime Coat**



Maximum height 120"  
#1/4-20 SNB's furnished.



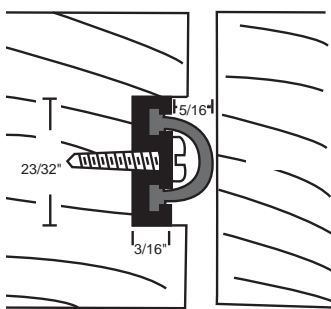
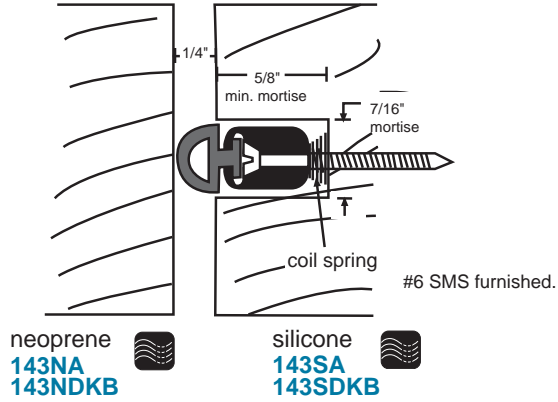
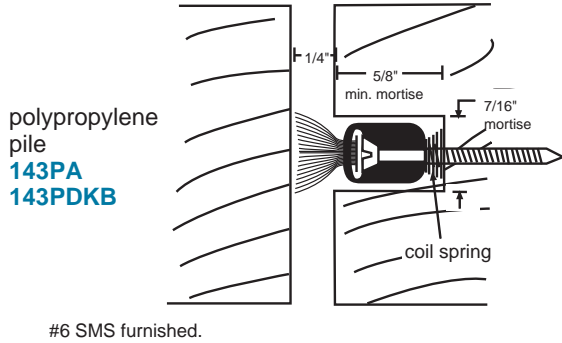
**1390SP-83-1/8" 14 Ga. Galvanneal Steel Prime Coat**  
**1390SP-95-1/8"**

No notching or field cutting needed for curved lip strikes

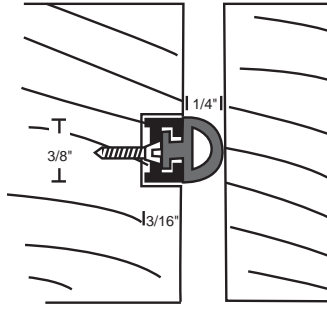


# Mortised Astragals

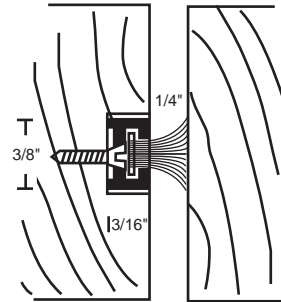
**A** - anodized aluminum  
**B** - gold  
**DKB** - dark bronze  
**no suffix** - mill aluminum  
 nylon brush, pile, and vinyl are gray  
 neoprene, NGP-TPV & silicone are black



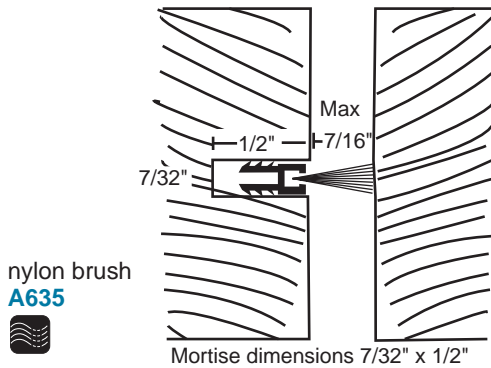
Mortise dimensions 3/4" wide x desired depth.  
 #6 X 3/4" SMS furnished.



Mortise dimensions 7/16" wide x desired depth. #2 SMS furnished.

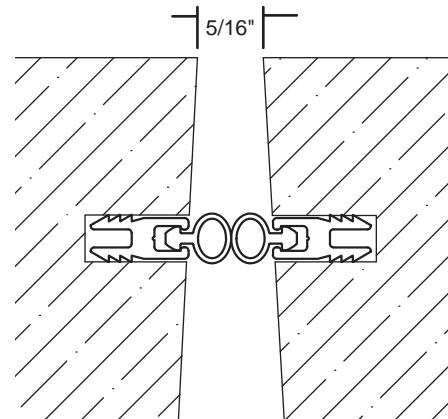


Mortise dimensions 7/16" wide x desired depth.  
 #2 SMS furnished.



Order as **set** to receive two pieces  
 Maximum length 108"

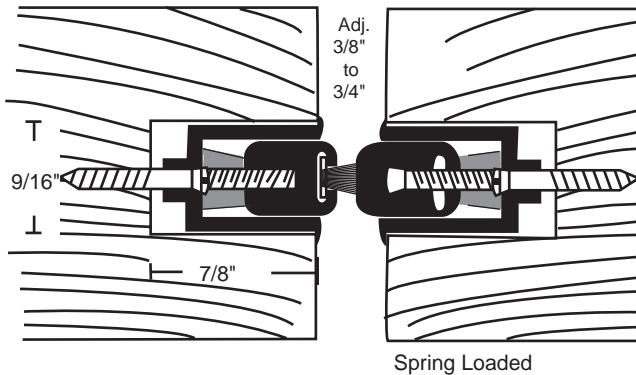
- 151N** NGP-TPV
- 151S** silicone
- 151V** vinyl



## Spring Adjustable Mortised Astragals

- Adjustment screws on 10" centers allow adjustment of the seal without repositioning mounting location.
- Spring-loaded to maintain constant pressure for the most effective seal.

A - clear anodized  
B - gold  
DKB - dark bronze  
Pile is gray  
Silicone is black

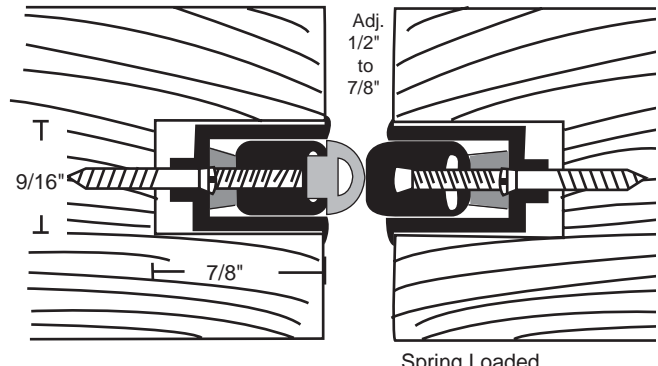


polypropylene pile

**144PA**  
**144PDKB**

Mortise dimensions 9/16" wide x 7/8"  
#8 x 3/4" SMS furnished

Provided as two piece set



silicone

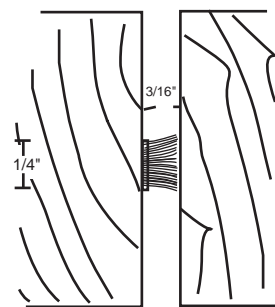
**144SA**  
**144SDKB**

Mortise dimensions 9/16" wide x 7/8"  
#8 x 3/4" SMS furnished

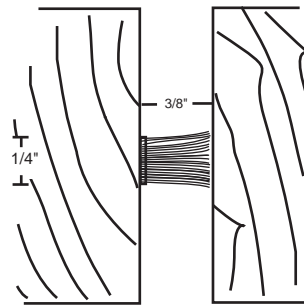
Provided as two piece set



## Self-Adhesive Pile Astragals



**340P** polypropylene pile

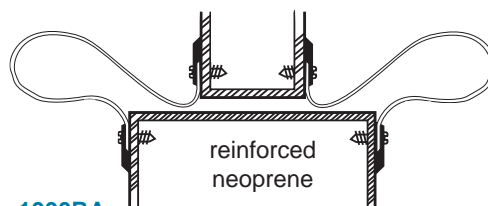


**336P** polypropylene pile

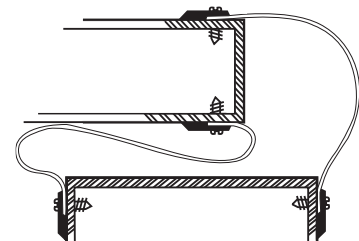
## Safety Seal for Double-Acting Doors

Seals and closes gap at heel of double-acting or center pivoted doors.

#6 x 3/4" Stainless Steel Sheet  
Metal Screws furnished.



**1000RA**  
**1000RB**  
**1000RDKB**

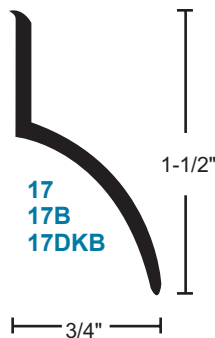
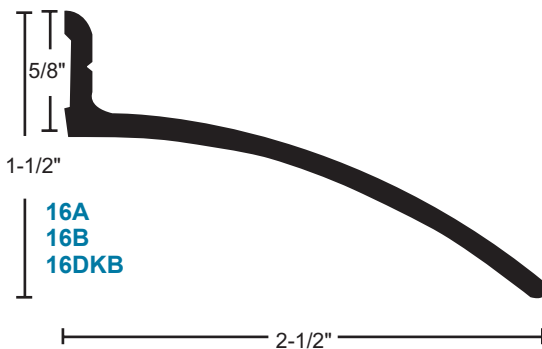


5", 10" or 16" overall widths available - Specify

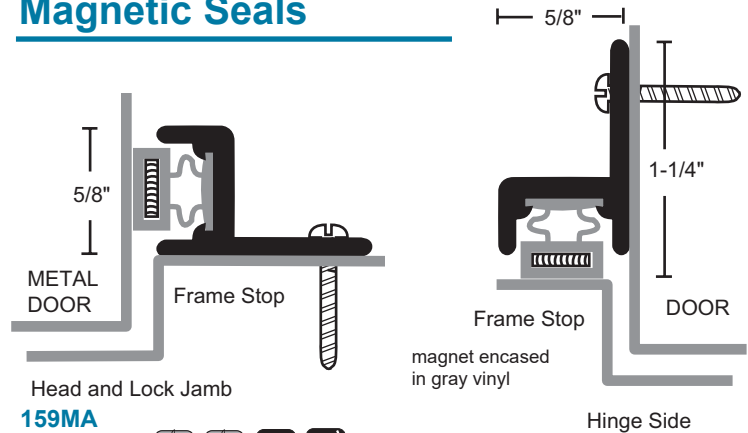
## Rain Drip Guards

#6 x 3/4" Stainless Steel  
SMS furnished

**A** - anodized aluminum  
**B** - gold  
**DKB** - dark bronze  
**No Suffix** - mill aluminum



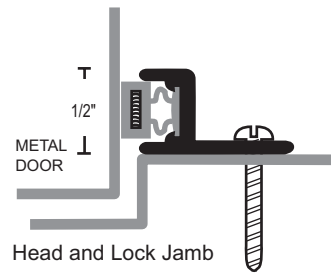
## Magnetic Seals



Head and Lock Jamb  
**159MA**  
**159MB**  
**159MDKB**



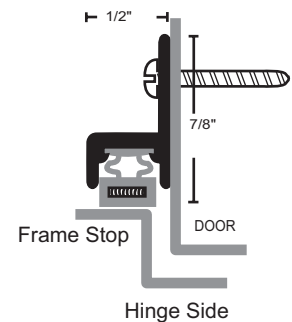
#6 x 3/4" Stainless Steel SMS furnished.  
Screw holes slotted for adjustment.  
Maximum length 144"



Head and Lock Jamb  
**157MA**  
**157MDKB**

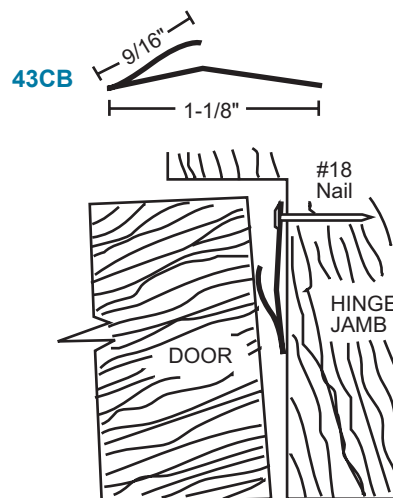


magnet encased in brown vinyl



## Cushion Bronze Weatherstrip

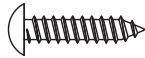
Cushion material will not coil. Specify lengths required (36", 48", 72", 86", and 96".) Nails not included. Normal installation requires 3/4 lb. of nails per 100 ft. of weatherstrip; install 2" o.c. Zinc plated bronze finish nails available in 1 lb. bags. Wafer head pilot point drive nails make excellent applications for metal jambs, normal installation requires 6 per foot. Install using #41 drill bit. Available with Fast Attach Tape - Specify x "FATT".



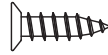
## GASKETING FASTENERS



#2 x 1/2" FH  
Phillips SMS



#4 x 5/8" TH  
Phillips SMS  
Use 5/64" Drill



#6 x 1/2" FH  
Phillips SMS  
Use 7/64" Drill



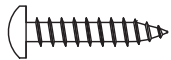
Phillips Head  
Top View



Spanner Head  
Top View



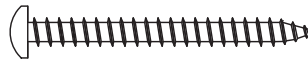
Torx Security  
Top View



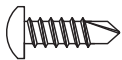
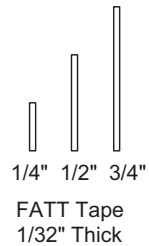
#6 x 3/4" PH  
Phillips SMS  
Use 7/64" Drill



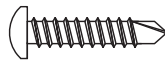
#6 x 1" PH  
Phillips SMS  
Use 7/64" Drill



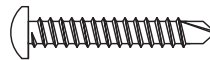
#6 x 1 1/2" PH  
Phillips SMS  
Use 7/64" Drill



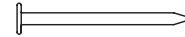
#6 x 1/2"  
Phillips  
TEK Screw



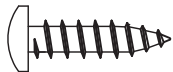
#6 x 3/4"  
Phillips  
TEK Screw



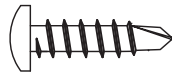
#6 x 1"  
Phillips  
TEK Screw



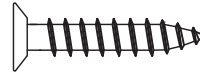
#18 x 7/8" Nail for  
Spring/Cushion  
Bronze Weather Strip  
on Wood Jamb



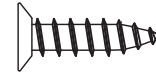
#8 x 3/4" PH  
Phillips SMS  
Use 9/64" Drill



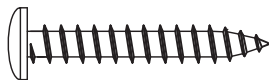
#8 x 3/4"  
Phillips  
TEK Screw



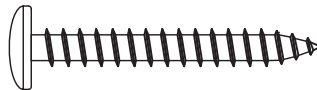
#8 x 1" FH  
Phillips U/C SMS  
Use 9/64" Drill



#10 x 3/4" FH  
Phillips U/C SMS  
Use 11/64" Drill



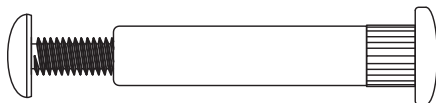
#8 x 1 1/4" TH  
Phillips SMS  
Use 9/64" Drill



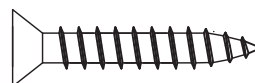
#10 x 1 1/2" TH  
Phillips SMS  
Use 11/64" Drill



#4 Wafer Head Drive Nail  
for Spring/Cushion  
Bronze Weather Strip  
on Metal Jamb  
Use #41 Drill bit for pilot hole



#1/4 - 20 Phillips SNB



#12 x 1 1/4" FH  
Phillips SMS

PH = Pan Head  
FH = Flat Head  
TH = Truss Head  
MS = Machine Screw  
SMS = Sheet Metal Screw  
SNB = Sex Nut & Bolt  
U/C = Undercut